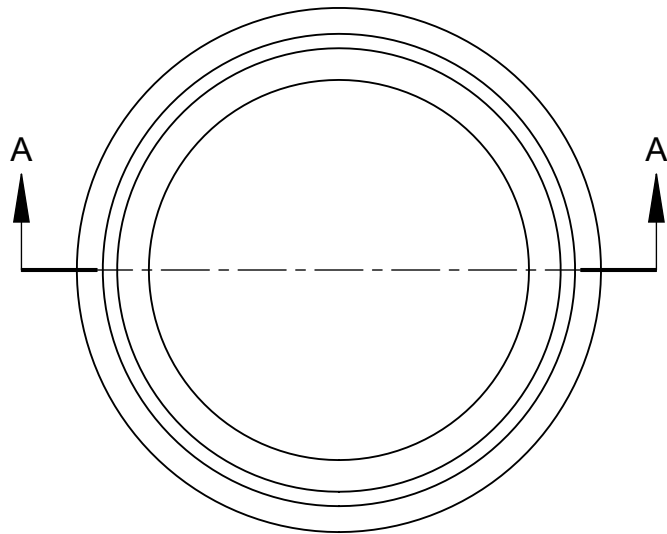
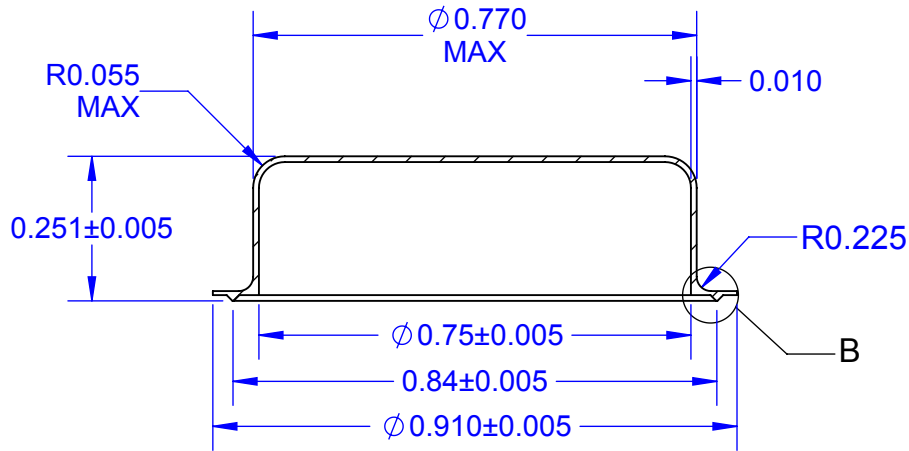
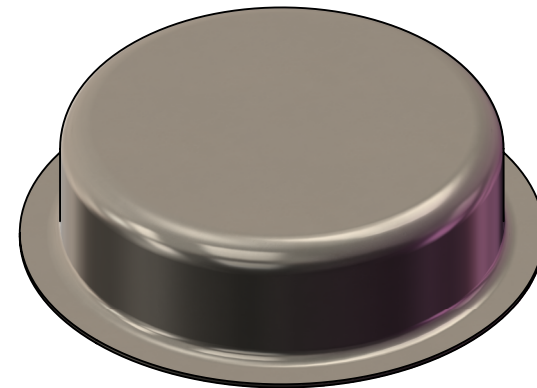
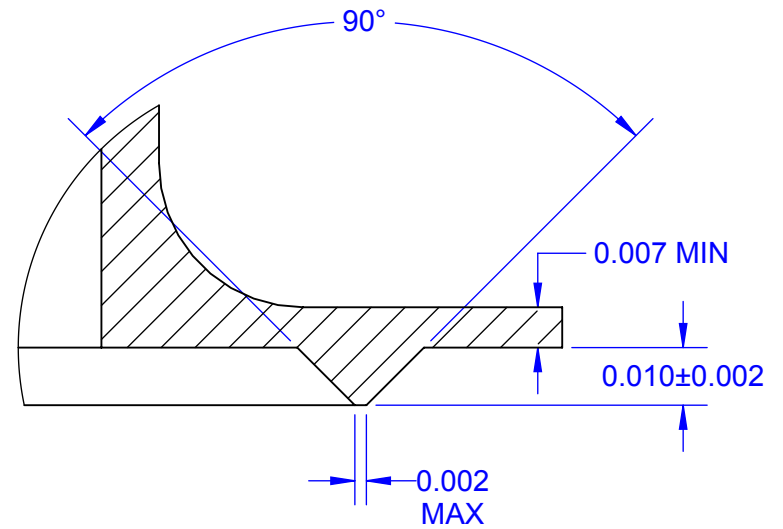


**SECTION A-A
SCALE 3 : 1**



**DETAIL B
SCALE 30 : 1**



ISOMETRIC VIEW

Notes: (Unless Otherwise Specified)

- 1) CAN - CAP - LID FOR TO-3.
- 2) NICKEL PLATED.
- 3) WELD PROJECTION.
- 4) DIMENSIONS IN INCH.

APPROVALS	DATE	TopLine®			
DRAWN T.Au	07/21/15				
ENG M. Hart	07/21/15	TITLE TO-3 CAN 0.25" H			
MFG		SCALE	SIZE	DRAWING NO.	REV
QA		3:1	A	168579	A
CUST		DO NOT SCALE DRAWING			SHEET 1 OF 1
REVISED					