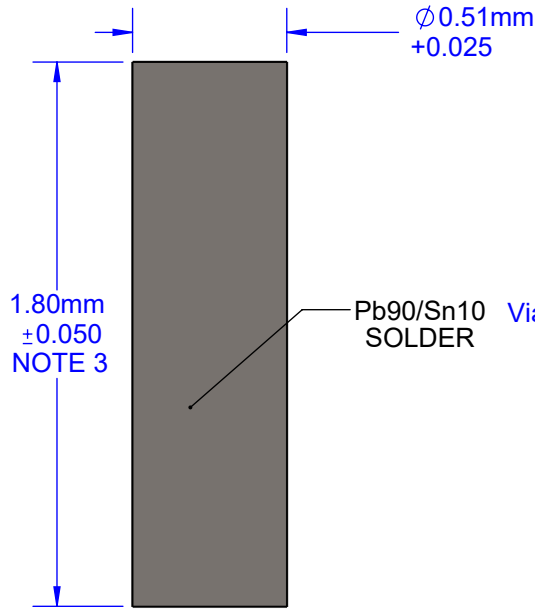
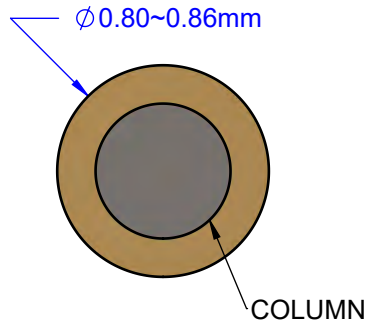
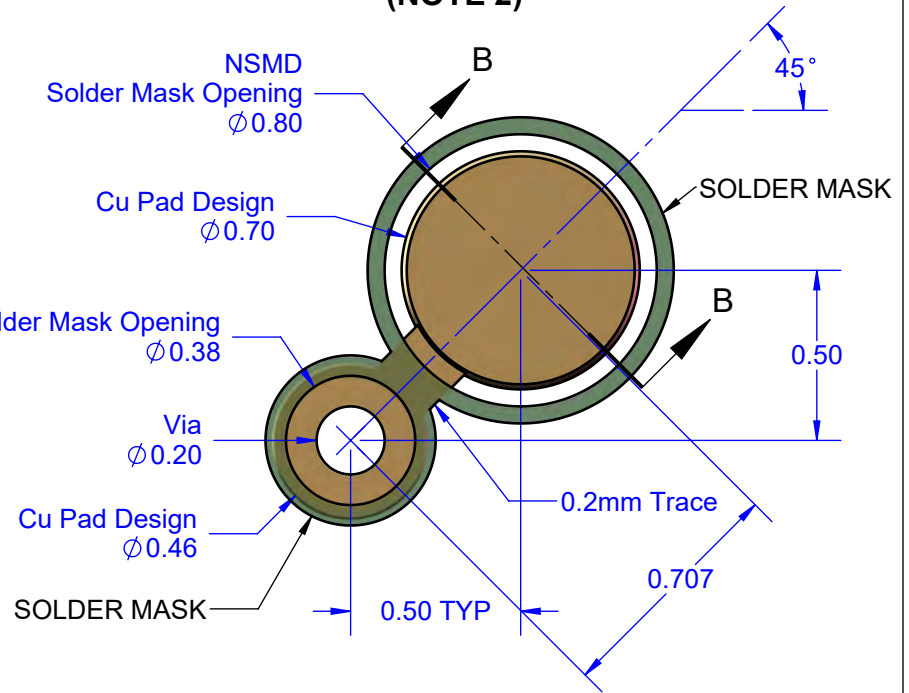


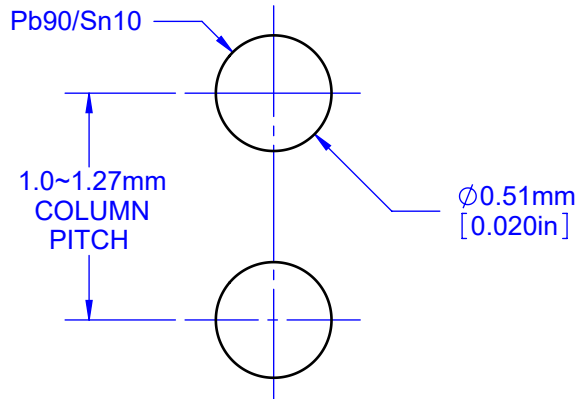
**SECTION VIEW**



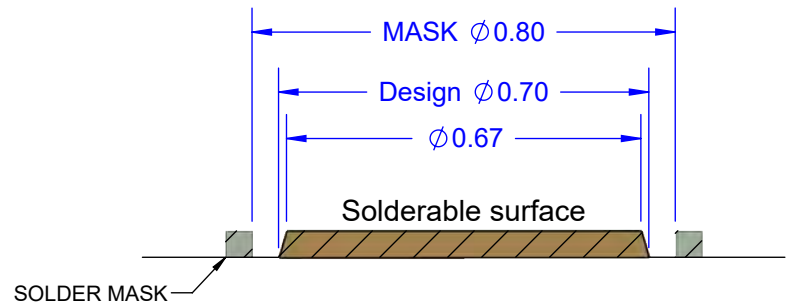
**PCB LAND PATTERN (NOTE 2)**



**CERAMIC CLGA  
PAD PLATING Ni-Au**



**Cu PAD SIDE VIEW  
PCB BOARD**



**Section B-B**

Notes: (Unless Otherwise Specified).

- 1) DIMENSIONS IN mm [INCHES].
- 2) PCB BOARD DIMENSIONS ARE PRESENTED ONLY AS A GUIDELINE. DESIGNERS SHOULD USE THEIR OWN EXPERIENCE WHEN DESIGNING PCB.
- 3) FINAL COLUMN LENGTH ~1.6mm AFTER TRIMMING AND PLANARIZATION.

APPROVALS	DATE	<b>TopLine®</b>			
DRAWN T. Au	7/22/2023				
ENG M. Hart	7/22/2023	TITLE CG9010U20x70 CCGA SOLDER COLUMN			
MFG		SCALE	SIZE	DRAWING NO.	REV
QA		30:1	A	902070	A
CUST		DO NOT SCALE DRAWING			SHEET 1 OF 1
REVISED					