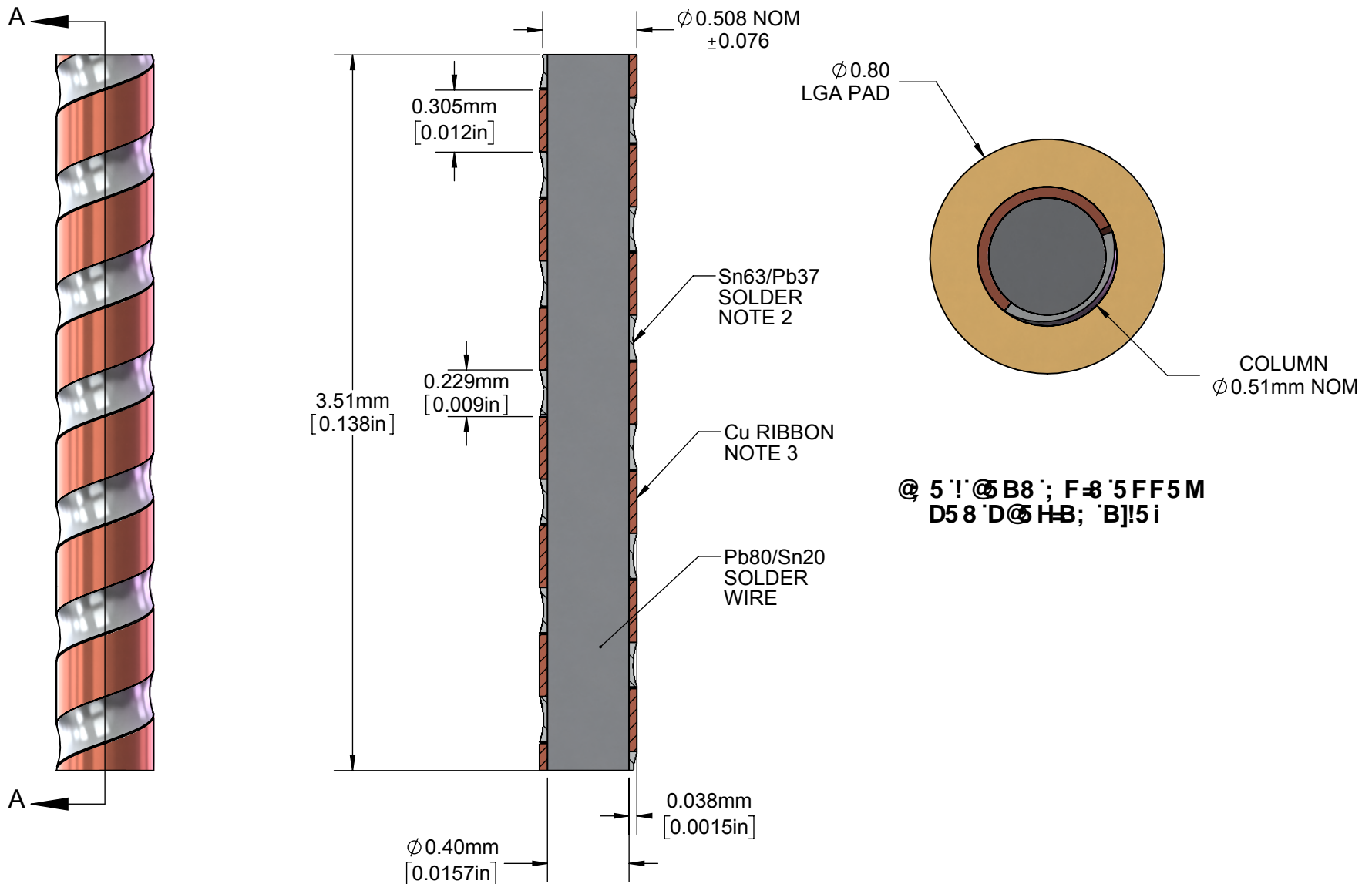


G97 HCB J-K

HCD J-K



NOTES: (Unless Otherwise Specified).

- 1) DIMENSIONS mm [INCHES].
- 2) THICKNESS Sn63/Pb37 SOLDER COAT 6~25um [$0.25\sim 1.0\text{mil}$].
- 3) Cu ALLOY C10100 - OFE (CDA-101). 99.99% PURE.

APPROVALS	DATE	TopLine®			
DRAWN T. Au	10/30/2018				
ENG M. Hart	10/30/2018	TITLE CG8020C20x138 CCGA SOLDER COLUMN			
MFG		SCALE	SIZE	DRAWING NO.	REV
QA		35:1	A	802092	B
CUST		DO NOT SCALE DRAWING			SHEET 1 OF 1
REVISED					