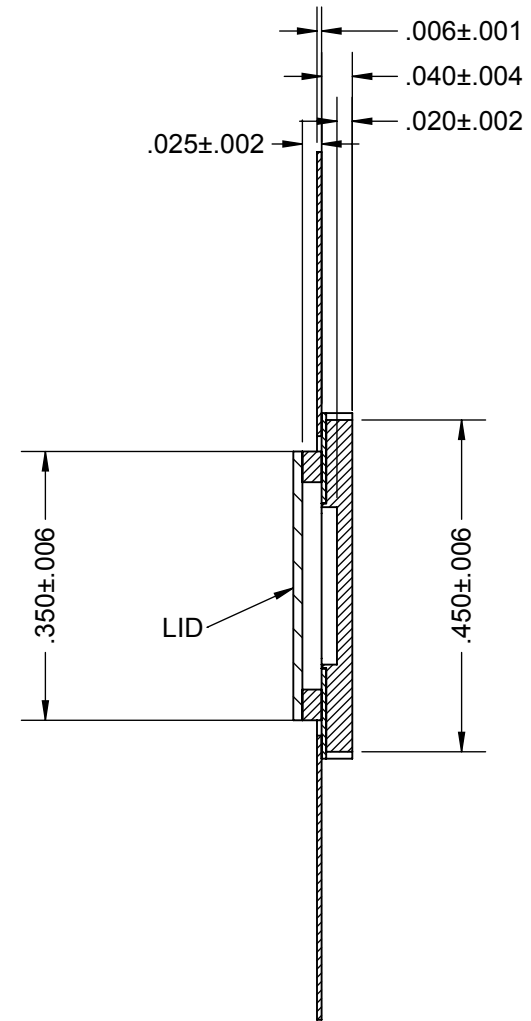
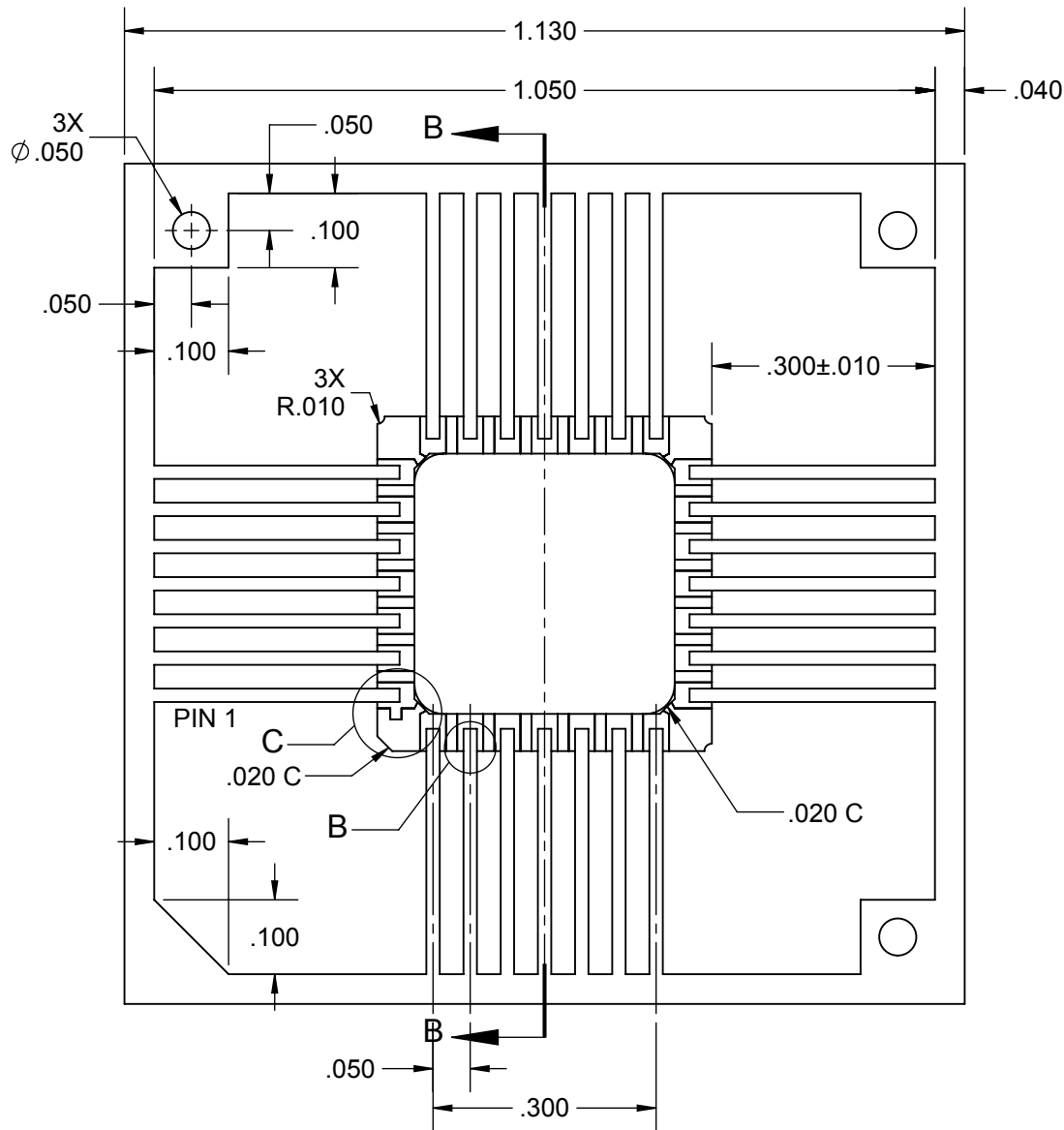


HCD

K H K @ 8

G-89



SECTION B-B
SCALE 4 : 1

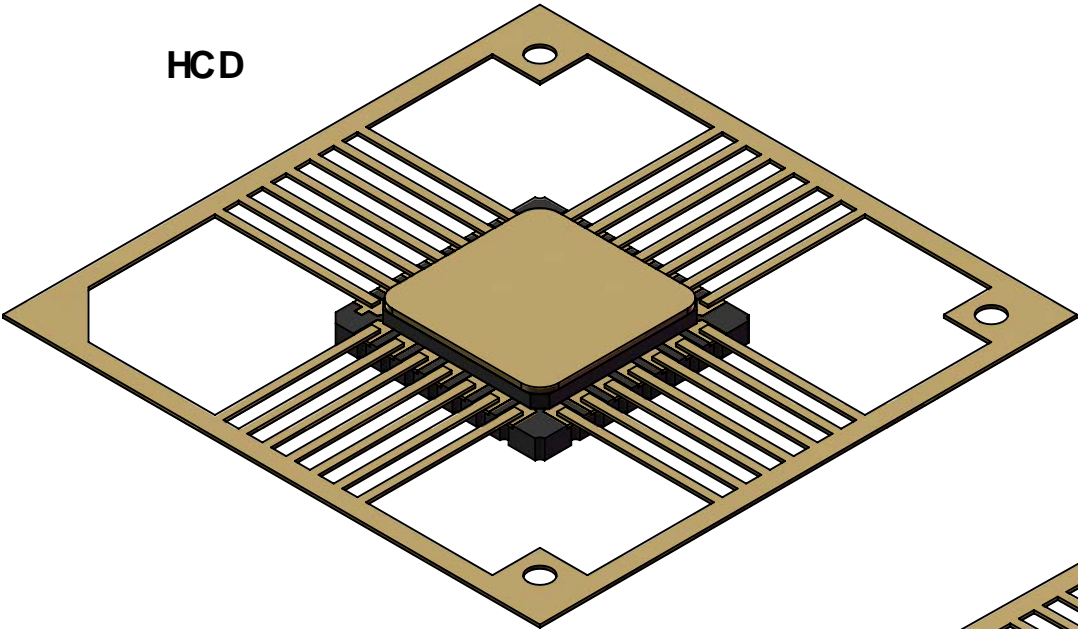
NOTES:

1. DIMENSIONS INCHES (mm) UNLESS OTHERWISE STATED.
2. GOLD PLATE 60 MICRO-INCHES MIN OVER 50~350 MICRO-INCHES NICKEL.
3. SEAL AREA AND DIE ATTACH AREA ISOLATED FROM ANY LEADS.
4. BASE LEAD MATERIAL: KOVAR.
5. PACKAGE MATERIAL: ALUMNICA CERAMIC (BLACK).

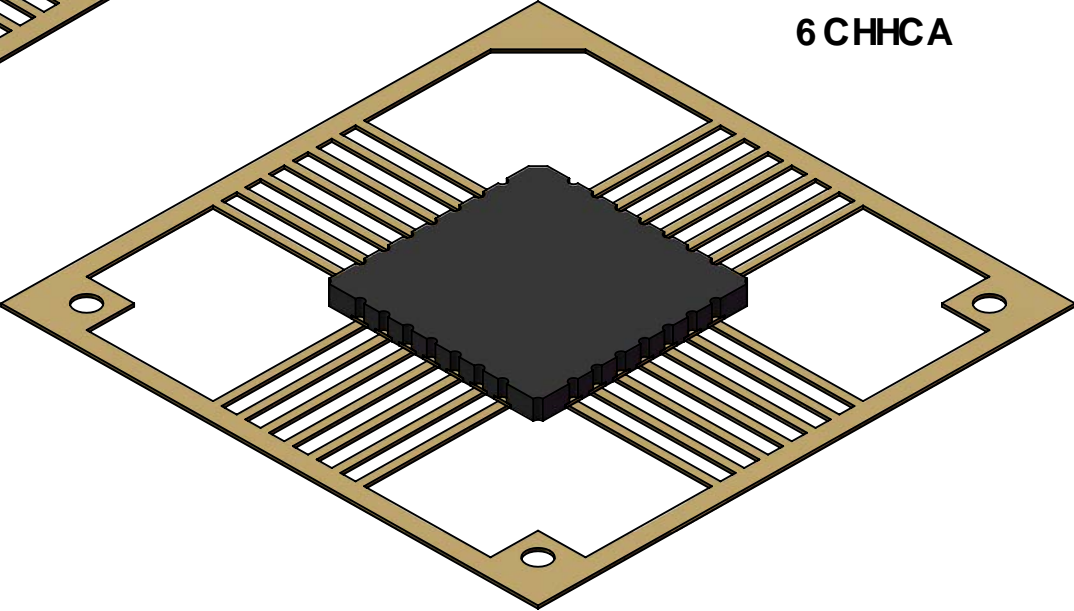
APPROVALS	DATE	TopLine®			
DRAWN T. Au	10/10/2019				
ENG M. Hart	10/10/2019	TITLE CERQUAD28F50-DE			
MFG		SCALE	SIZE	DRAWING NO.	REV
QA		4:1	A	183414	A
CUST		DO NOT SCALE DRAWING			SHEET 1 OF 3
REVISED					

AC89@
K#K'@8

HCD



6 CHHCA



TopLine[®]

TITLE CERQUAD28F50-DE

SCALE	SIZE	DRAWING NO.	REV
16:1	A	183414	A

DO NOT SCALE DRAWING SHEET 2 OF 3

CDHCB5 @85-GM7 <5-B

85-GM7 <5-B B9H @GH			
: FCA #HC	: FCA #HC	: FCA #HC	: FCA #HC
1 ~ 2	9 ~ 10	17 ~ 18	25 ~ 26
3 ~ 4	11 ~ 12	19 ~ 20	27 ~ 28
5 ~ 6	13 ~ 14	21 ~ 22	
7 ~ 8	15 ~ 16	23 ~ 24	



TITLE			
CERQUAD28F50-DE			
SCALE	SIZE	DRAWING NO.	REV
NONE	A	183414	A
DO NOT SCALE DRAWING			SHEET 3 OF 3