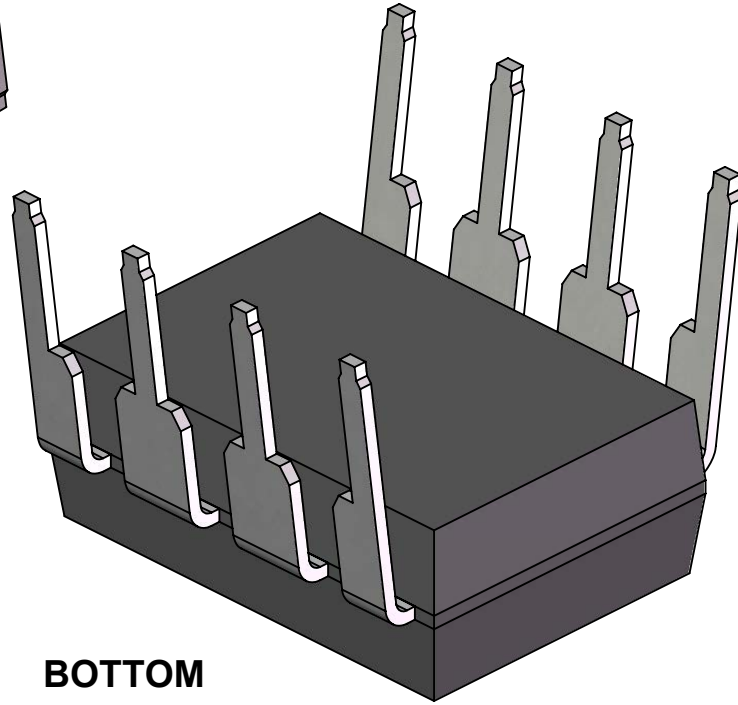
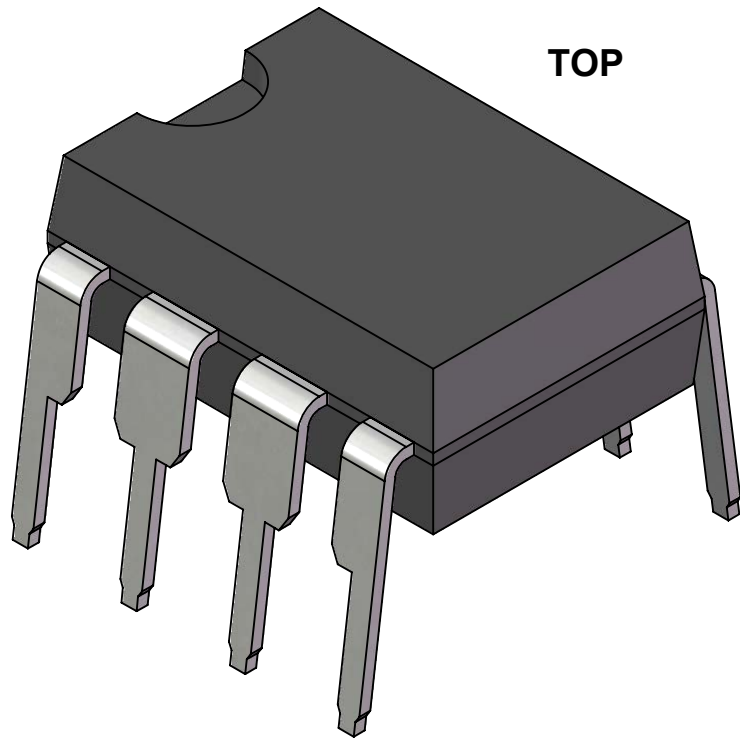


NOTES: (UNLESS OTHERWISE STATED)

1. DIMENSIONS INCH (NOMINAL).
2. DIMENSIONS DO NOT INCLUDE MOLD FLASH OR PROTUSIONS.
3. JEDEC OUTLINE MS-001-BA.

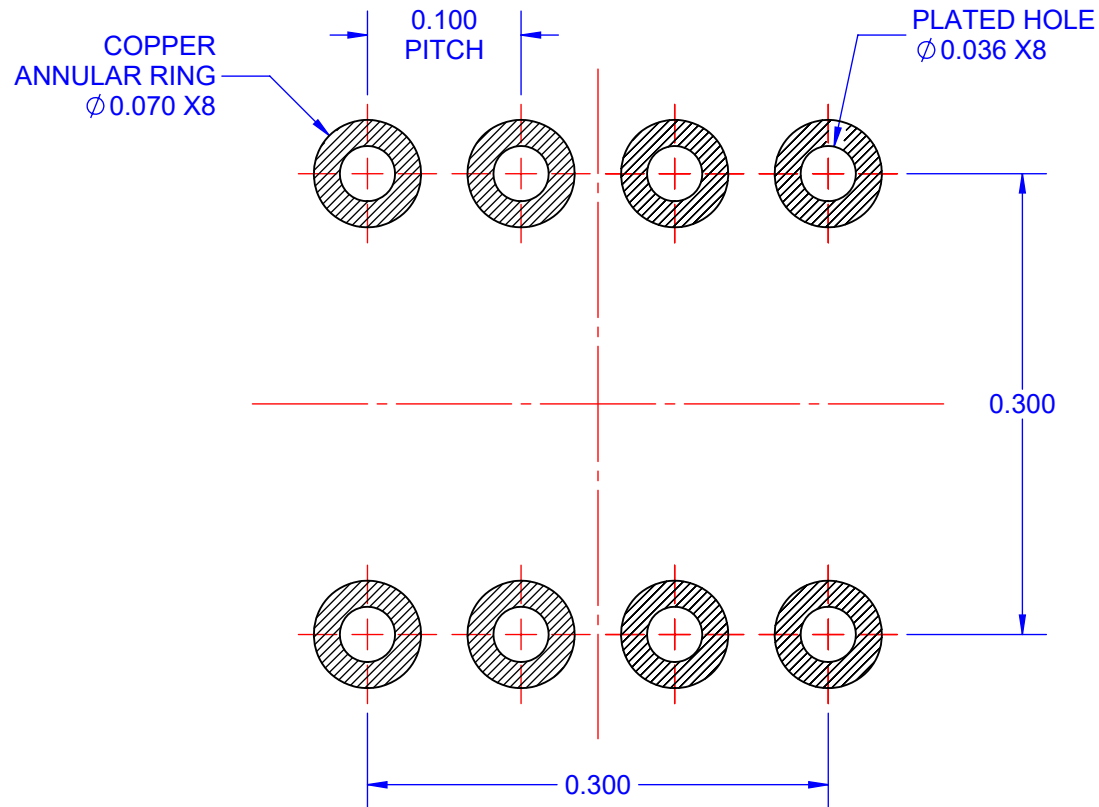
APPROVALS	DATE	TopLine®			
DRAWN T. Au	5/14/2023				
ENG M. Hart	5/14/2023	TITLE DIP8 300MIL PDIP BODY			
MFG		SCALE	SIZE	DRAWING NO.	REV
QA		6:1	A	170808	A
CUST		DO NOT SCALE DRAWING			SHEET 1 OF 4
REVISED					

MODELS



TopLine[®]			
TITLE		DIP8 300MIL PDIP BODY	
SCALE	SIZE	DRAWING NO.	REV
8:1	A	170808	A
DO NOT SCALE DRAWING			SHEET 2 OF 4

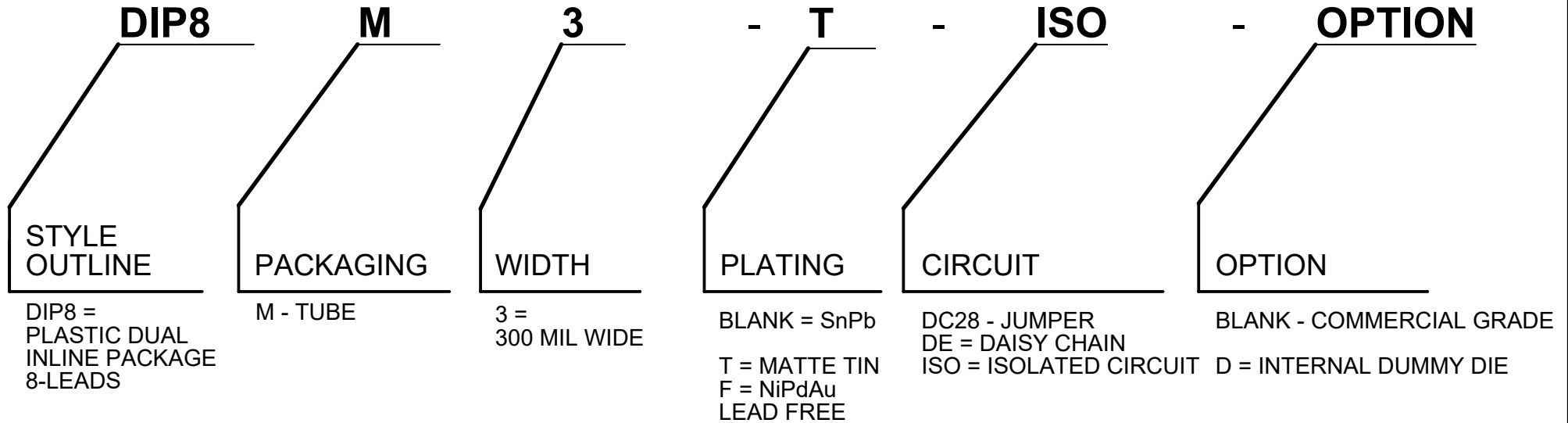
PCB LAND PATTERN PLATED THROUGH HOLES



NOTES:
1. DIMENSIONS INCH.

TopLine[®]			
TITLE		DIP8 300MIL PDIP BODY	
SCALE	SIZE	DRAWING NO.	REV
8:1	A	170808	A
DO NOT SCALE DRAWING			SHEET 3 OF 4

PART NUMBERING SYSTEM



PART NUMBER	SHORTED PINS	NOTES	RoHS Pb-FREE	DIE
DIP8M3-F-DC28	1~8, 2~7, 3~6, 4~5	4-WIRES	YES	NO
DIP8M3-T-DE-D	1~2, 3~4, 5~6, 7~8	4-WIRES	YES	YES
DIP8M3-T-DE	1~2, 3~4, 5~6, 7~8	4-WIRES	YES	NO
DIP8M3-T-D	N/A	DUMMY	YES	YES
DIP8M3-T-ISO	NONE	FULLY ISOLATED	YES	NO
DIP8M3-F-ISO	NONE	FULLY ISOLATED	YES	NO

TopLine[®]			
TITLE DIP8 300MIL PDIP BODY			
SCALE NONE	SIZE A	DRAWING NO. 170808	REV A
DO NOT SCALE DRAWING			SHEET 4 OF 4