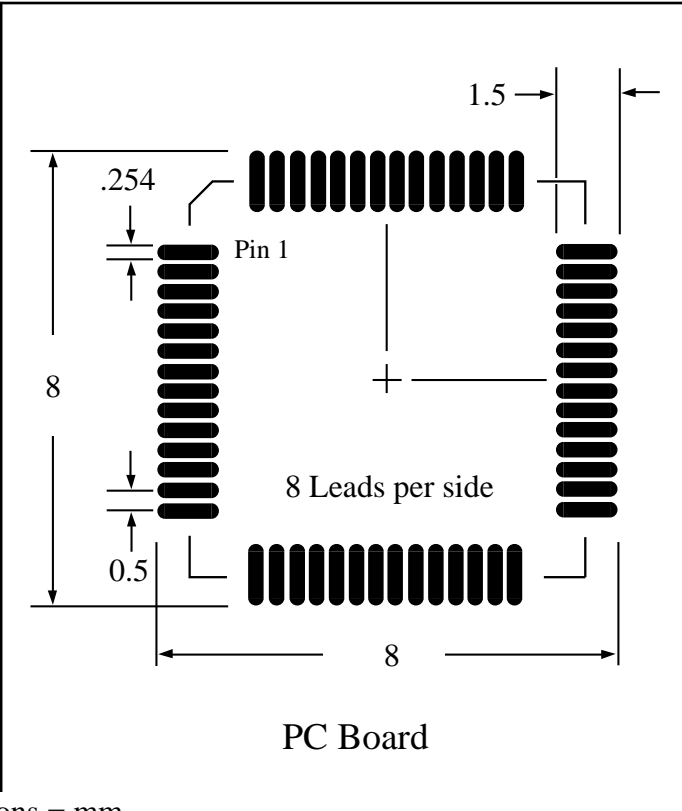
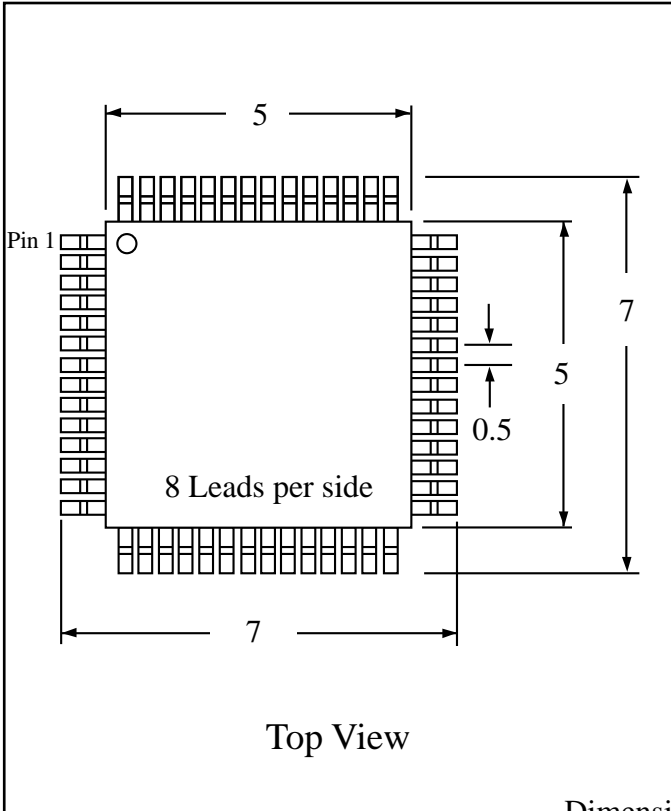


Part # **TQFP32T19.7**
 Leads **32** Pitch **0.5mm**
 Body Size **5mm SQ**

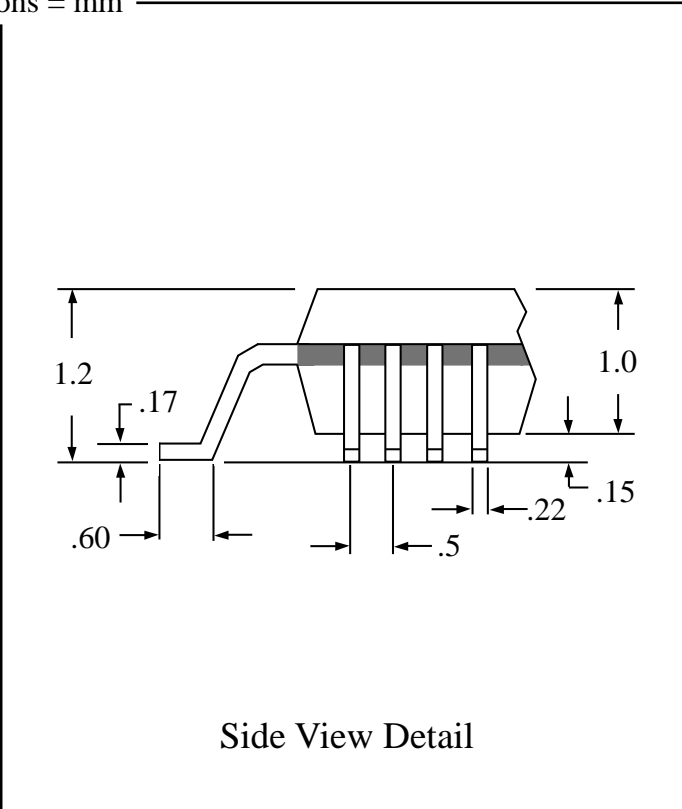
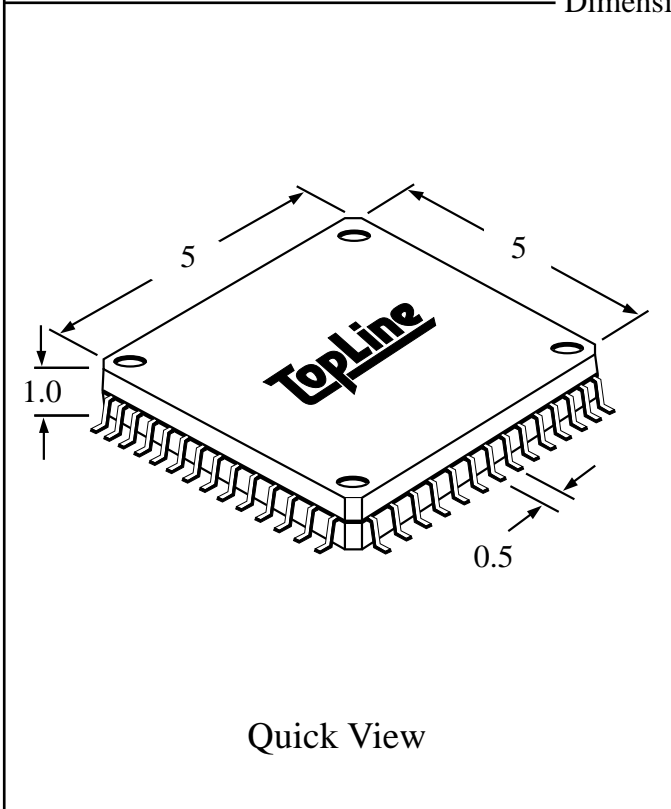
Available RoHS Pb-Free

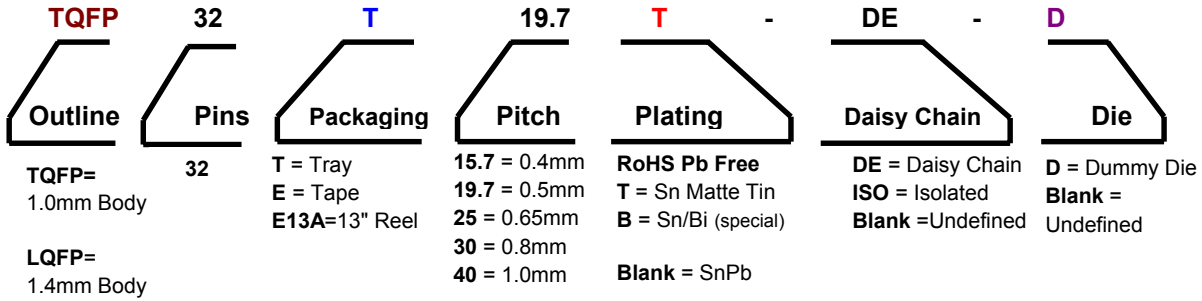


Tel 1-800-776-9888
 info@topline.tv



Dimensions = mm





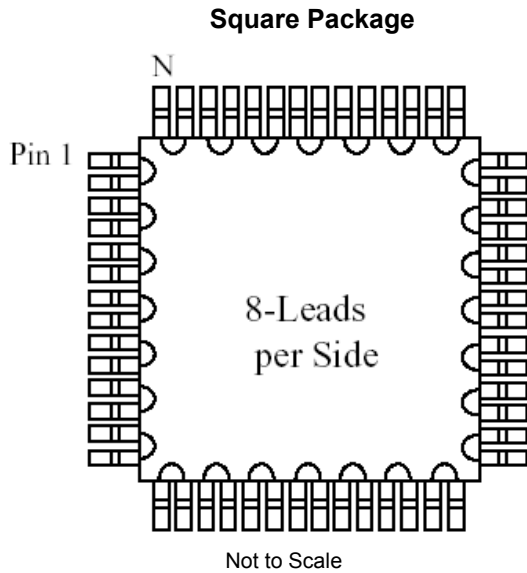
Ordering Steps:

- Step 1: Select outline body thickness TQFP (1.0mm) or LQFP (1.4mm).
- Step 2: Choose packaging. Tray is standard. Tape and Reel is available.
- Step 3: Select plating requirements. RoHS Pb-Free or SnPb
- Step 4: Select options according to your application. See chart below.

Part Number Packaged in Tray (Standard)	Options				Applications					
	Plating	Daisy Chain	Dummy Die	Isolated Pins	Mounting Practice	Rework Solder Practice	Reflow Temperature Profiling	Continuity Test	Life Cycle Test	S.I.R. Test
TQFP32T19.7	SnPb	No	No	No	x	x				
TQFP32T19.7T	Pb-Free	No	No	No	x	x				
TQFP32T19.7-DE-D	SnPb	Yes	Yes	No	x	x	x	x	x	
TQFP32T19.7T-DE-D	Pb-Free	Yes	Yes	No	x	x	x	x	x	
TQFP32T19.7-ISO	SnPb	No	No	Yes	x	x	x			x
TQFP32T19.7T-ISO	Pb-Free	No	No	Yes	x	x	x			x

Part Number Packaged in Tape and Reel	Options				Applications					
	Plating	Daisy Chain	Dummy Die	Isolated Pins	Mounting Practice	Rework Solder Practice	Reflow Temperature Profiling	Continuity Test	Life Cycle Test	S.I.R. Test
TQFP32E13A19.7	SnPb	No	No	No	x	x				
TQFP32E13A19.7T	Pb-Free	No	No	No	x	x				
TQFP32E13A19.7-DE-D	SnPb	Yes	Yes	No	x	x	x	x	x	
TQFP32E13A19.7T-DE-D	Pb-Free	Yes	Yes	No	x	x	x	x	x	
TQFP32E13A19.7-ISO	SnPb	No	No	Yes	x	x	x			x
TQFP32E13A19.7T-ISO	Pb-Free	No	No	Yes	x	x	x			x

Visit www.TopLine.tv or email info@TopLine.tv for applications assistance.



Daisy Chain Net List TQFP32 and LQFP32

Net List	
From Pin	To Pin
1	2
3	4
5	6
7	8
9	10
11	12
13	14
15	16
17	18
19	20
21	22
23	24
25	26
27	28
29	30
31	32

Visit www.TopLine.tv or email info@TopLine.tv for applications assistance.