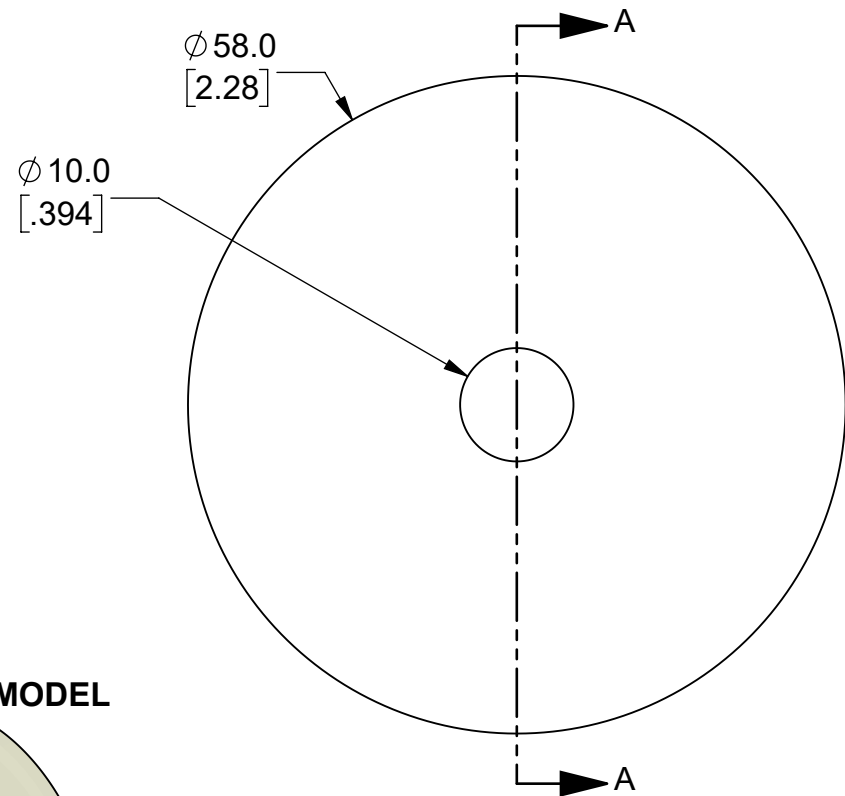
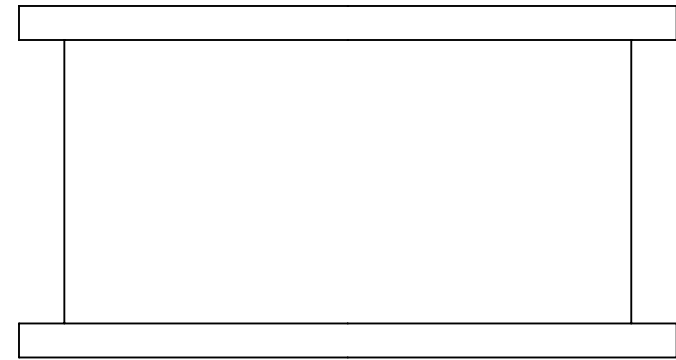
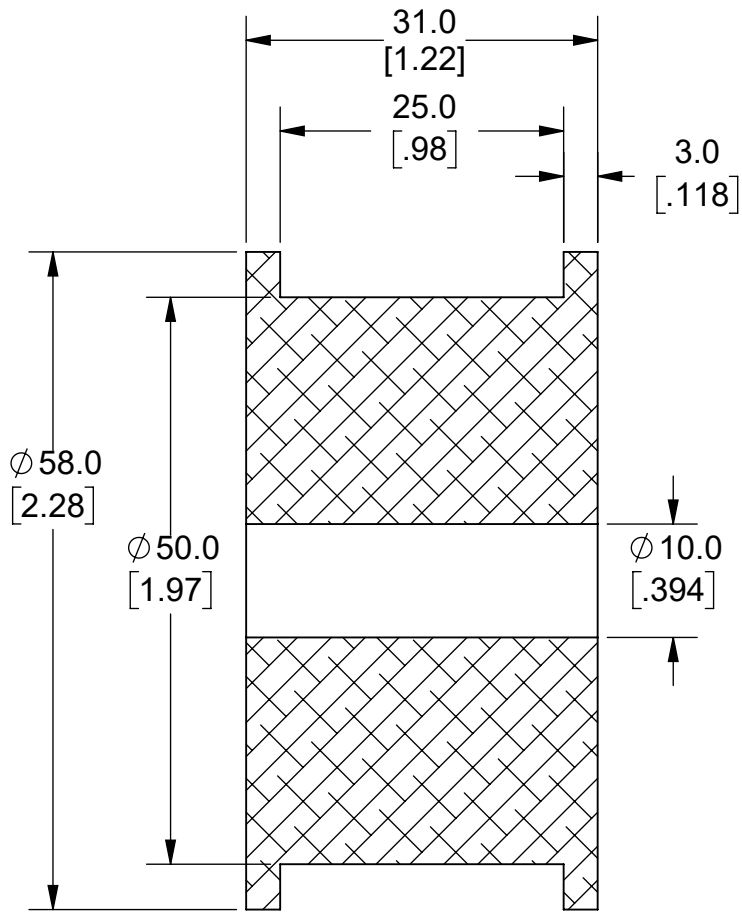
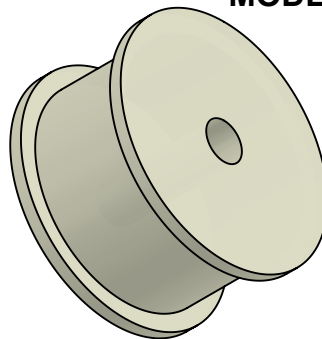


SECTION A-A
SCALE 1.5 : 1



MODEL



NOTES: (UNLESS OTHERWISE SPECIFIED).

- 1) DIMENSIONS: MM [INCH].
- 2) MATERIAL: ABS.
- 3) COLOR: WHITE.
- 4) E.O.L - END OF LIFE.

APPROVALS		DATE	TopLine [®]			
DRAWN	T. Au	10/9/2023	TITLE TANAKA No. 55 PLASTIC SPOOL HIRATSUKA			
ENG	M. Hart	10/9/2023				
MFG			SCALE 0.75:1	SIZE A	DRAWING NO. 400155	REV A
QA						
CUST			DO NOT SCALE DRAWING		SHEET 1 OF 1	
REVISED						