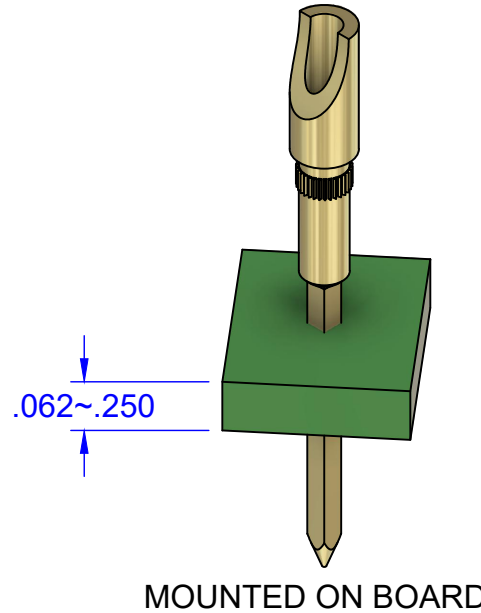
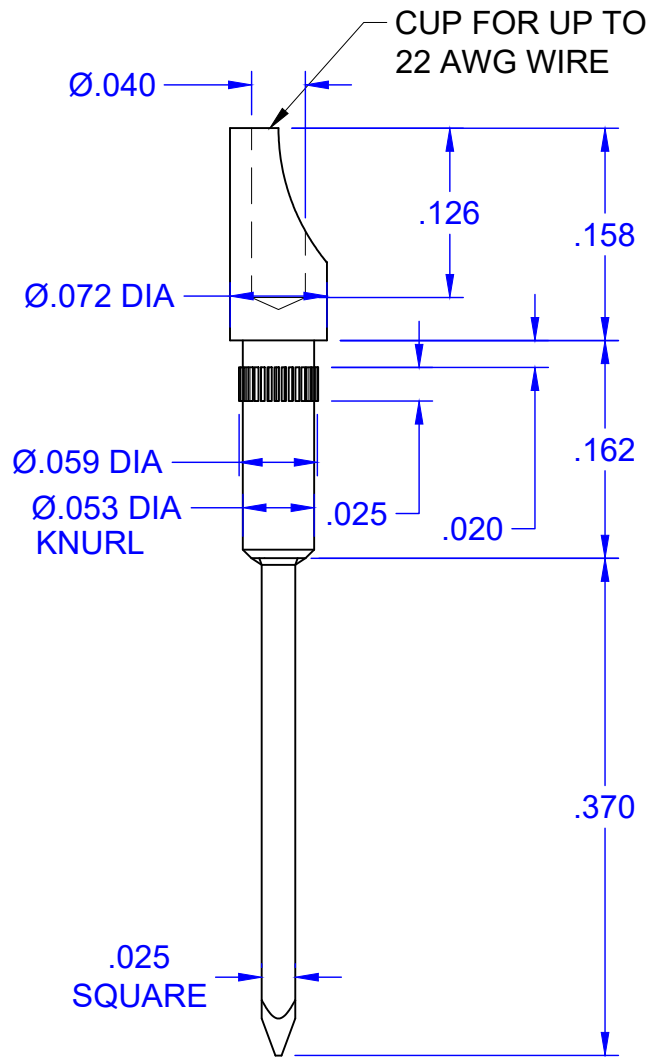
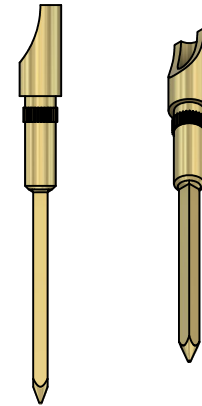


# GOLD CUP TERMINAL




## MODELS



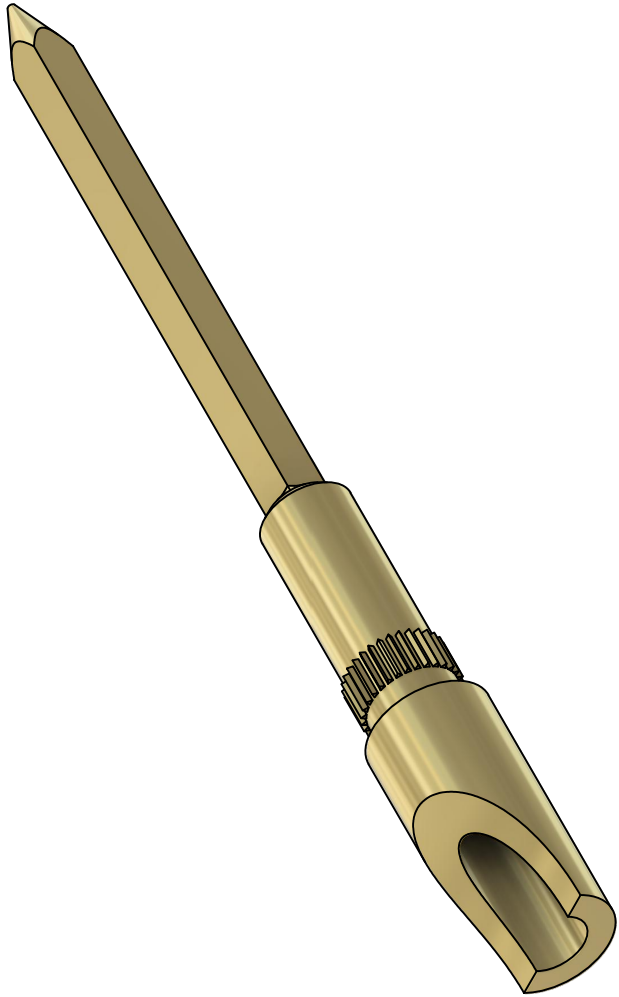
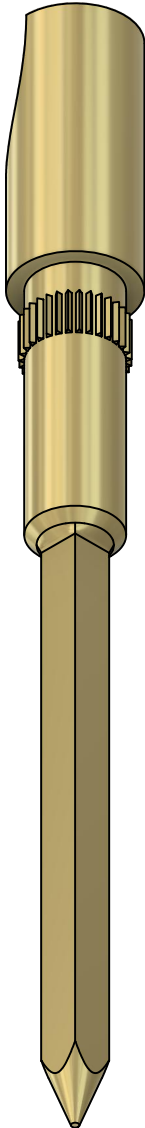
ORDER NUMBER TABLE	
ORDER NUMBER	STANDARD PACKAGE QTY
104000	1
104005	5
104025	25
104100	100
104500	500
104999	1000

### NOTES: (UNLESS OTHERWISE SPECIFIED)

1. DIMENSION INCH [mm]
2. MATERIAL: BRASS ALLOY C36000 (ASTM-B-16)
3. PLATING: 10-Micro-Inch over Nickel

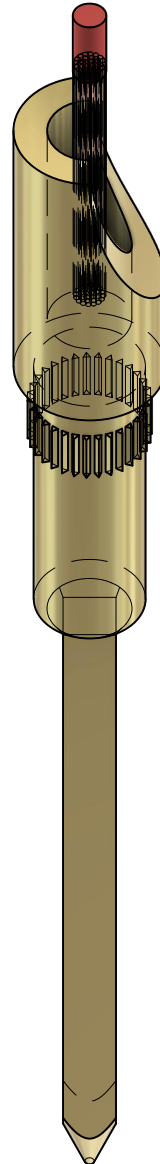
APPROVAL	DATE	 TITLE GOLD CUP TERMINAL 104XXX SERIES				
DRAWN Willy Pegues	4/20/2023					
ENG						
MFG						
QA						
CUST						
REVISED J. Dietrich	6/22/2023	THIRD ANGLE PROJECTION	SCALE 7:1	SIZE A	DWG NO 104000	REV A
			DO NOT SCALE		SHEET 1 OF 3	

MODEL



<b>TopLine<sup>®</sup></b>			
TITLE GOLD CUP TERMINAL 104XXX SERIES			
SCALE 10:1	SIZE A	DWG NO 104000	REV A
DO NOT SCALE			SHEET 2 OF 3

# EXAMPLE WORKMANSHIP



**TopLine**<sup>®</sup>

TITLE			
GOLD CUP TERMINAL 104XXX SERIES			
SCALE	SIZE	DWG NO	REV
11:1	A	104000	A
DO NOT SCALE			SHEET 3 OF 3