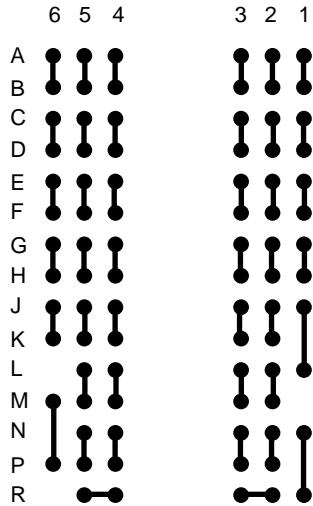
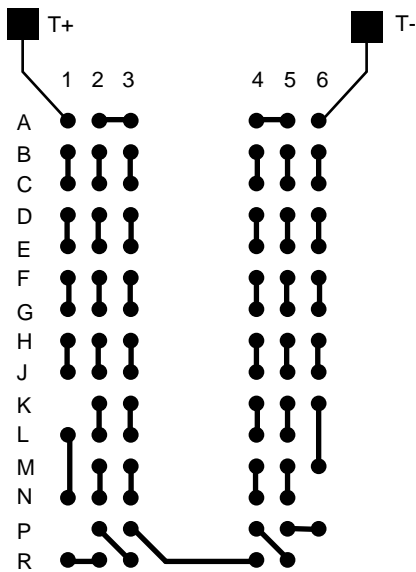
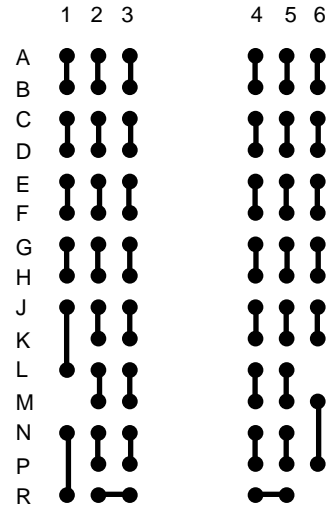


<u>BALLS</u>	<u>PITCH</u>	<u>SIZE</u>	<u>MATRIX</u>	<u>ROWS</u>	<u>CENTER</u>	<u>MAT'L</u>
84	0.8mm	8 x 14mm	6 x 15	Asymmetric	DDR2	BT

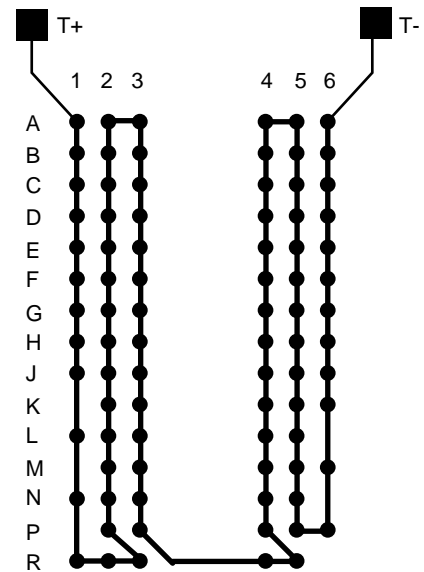
BALL VIEW



BOTTOM SIDE (TOP X-RAY VIEW)



TEST VEHICLE BOARD



AFTER MOUNTING TO TEST BOARD

LBGA84T.8-DC656

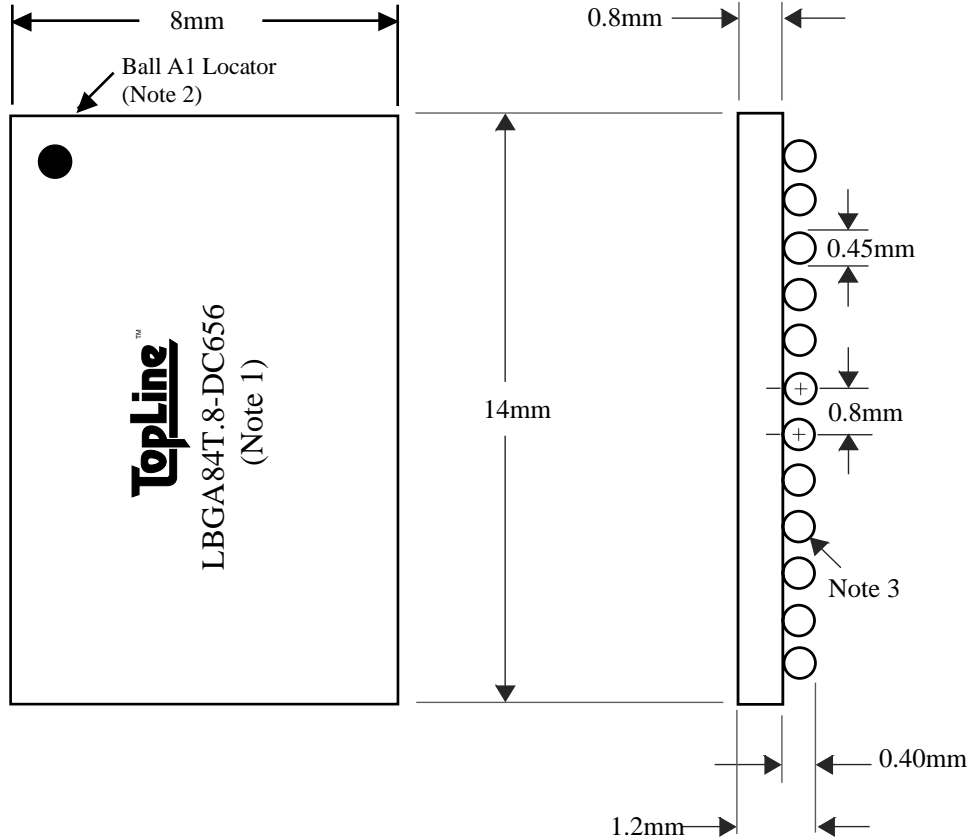


TEL 1-714-898-3830
sales@topline.tv

<u>BALLS</u>	<u>PITCH</u>	<u>SIZE</u>	<u>MATRIX</u>	<u>ROWS</u>	<u>CENTER</u>	<u>MAT'L</u>
84	0.8mm	8 x 14mm	6 x 15	Asymetric	DDR2	BT

TOP VIEW

SIDE VIEW



notes		revisions		
Note 1	Logo and part number centered White ink on black solder mask	<u>Rev</u>	<u>Date</u>	<u>Changes</u>
Note 2	Ball A1 locator mark positioned in corner			
Note 3	Ball Material: Sn63/Pb37			
Note 4	Substrate Material: BT			
		packaging trays		
		Tray BGATRAY8x14 Tray Quantity __		