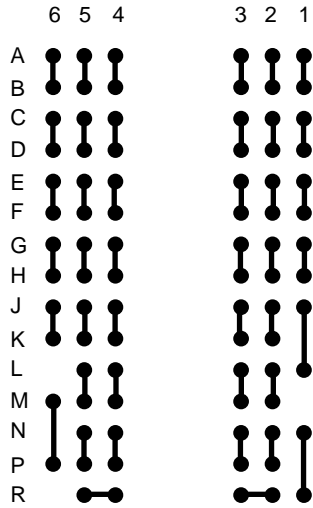


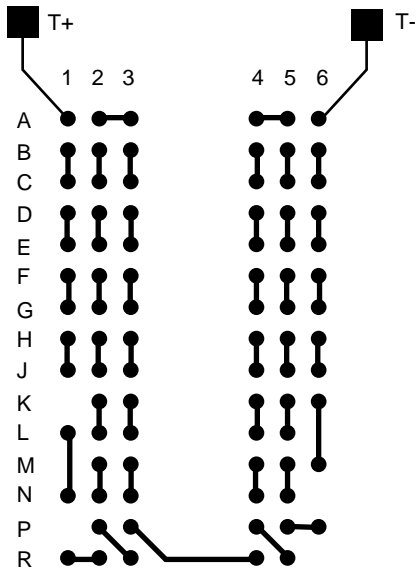
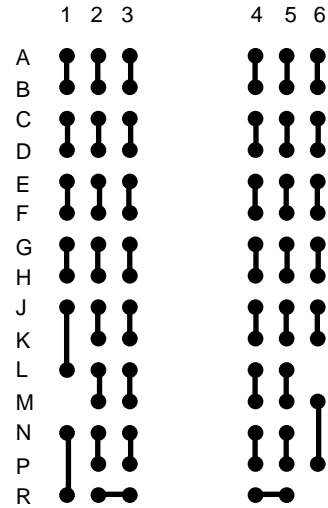
Lead Free LBG84T.8C-DC656

<u>BALLS</u>	<u>PITCH</u>	<u>SIZE</u>	<u>MATRIX</u>	<u>ROWS</u>	<u>CENTER</u>	<u>MAT'L</u>
84	0.8mm	8 x 14mm	6 x 15	Asymmetric	DDR2	BT

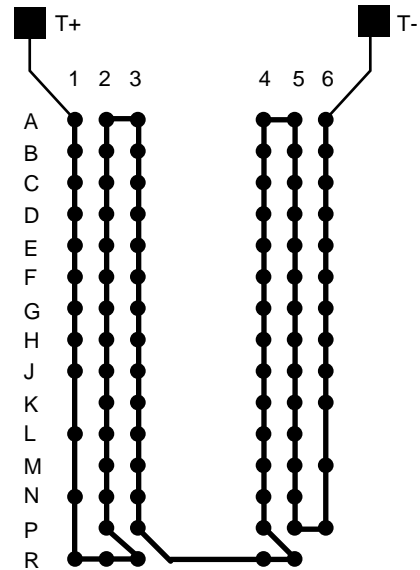
BALL VIEW



BOTTOM SIDE (TOP X-RAY VIEW)



TEST VEHICLE BOARD



AFTER MOUNTING TO TEST BOARD

LBGA84T.8C-DC656 Lead Free

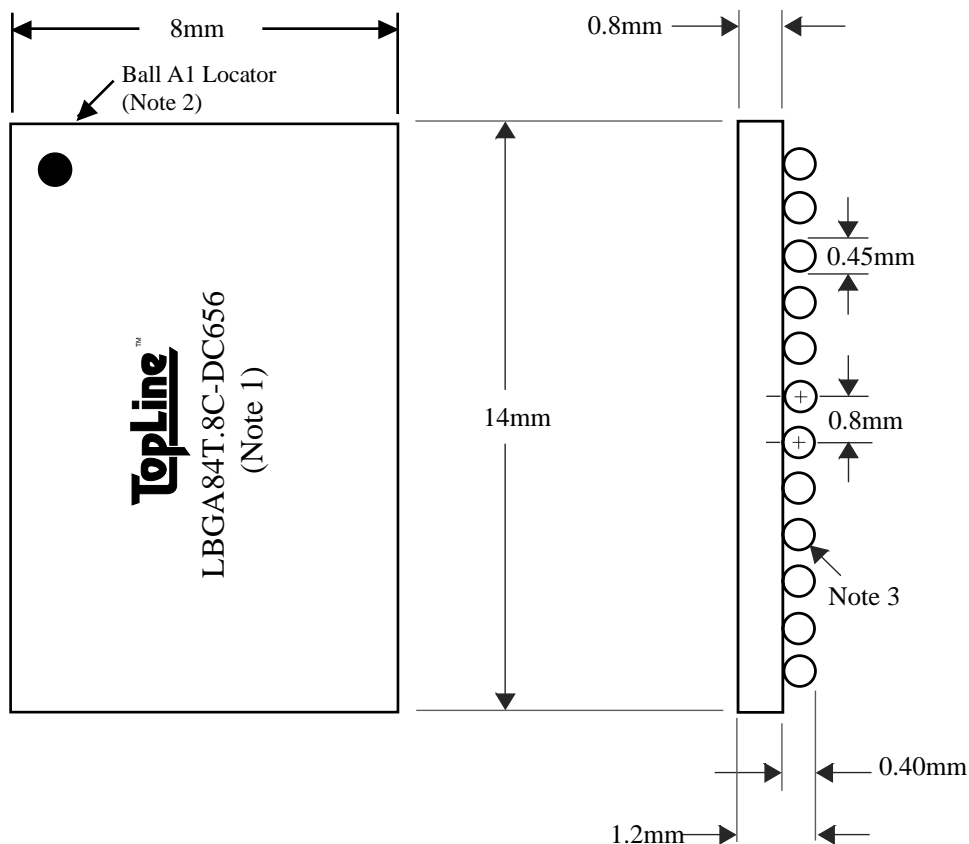


TEL 1-714-898-3830
sales@topline.tv

<u>BALLS</u>	<u>PITCH</u>	<u>SIZE</u>	<u>MATRIX</u>	<u>ROWS</u>	<u>CENTER</u>	<u>MAT'L</u>
84	0.8mm	8 x 14mm	6 x 15	Asymetric	DDR2	BT

TOP VIEW

SIDE VIEW



notes		revisions		
Note 1	Logo and part number centered White ink on black solder mask	<u>Rev</u>	<u>Date</u>	<u>Changes</u>
Note 2	Ball A1 locator mark positioned in corner	packaging trays		
Note 3	Ball Material: Sn96.5/Ag3.0/Cu0.5			
Note 4	Substrate Material: BT	Tray BGATRAY8x14 Tray Quantity ___		