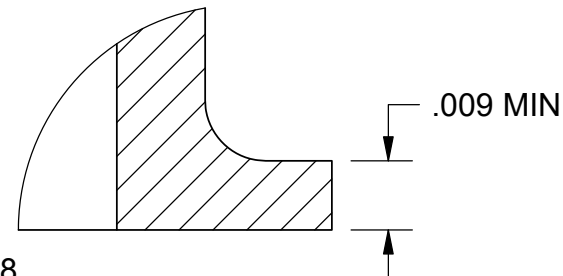
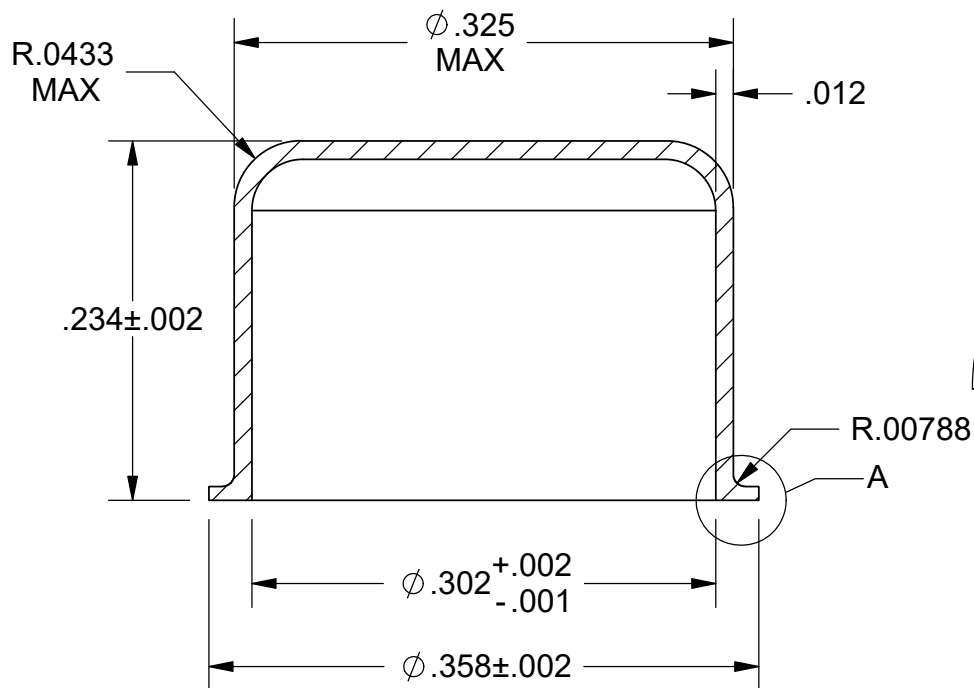
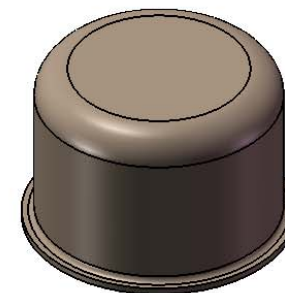
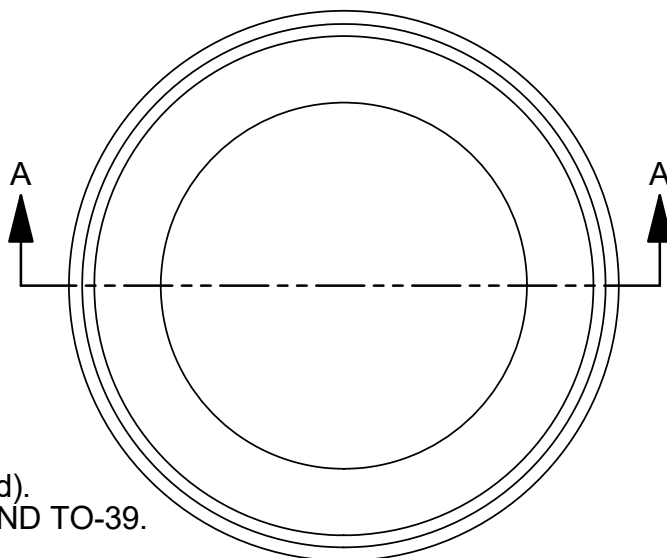


SECTION A-A




DETAIL A
SCALE 40 : 1



ISOMETRIC VIEW

- Notes: (Unless Otherwise Specified).
 1) CAN - CAP - LID FOR TO-5 AND TO-39.
 2) NICKEL PLATED.
 3) WITHOUT WELD PROJECTION.
 4) DIMENSIONS IN INCH.

APPROVALS		DATE				
DRAWN	J. Hines	11/11/2016				
ENG	M. Hart	7/27/2014				
MFG			SCALE	SIZE	DRAWING NO.	REV
QA			8:1	A	182200	A
CUST			DO NOT SCALE DRAWING			SHEET 1 OF 1
REVISED						