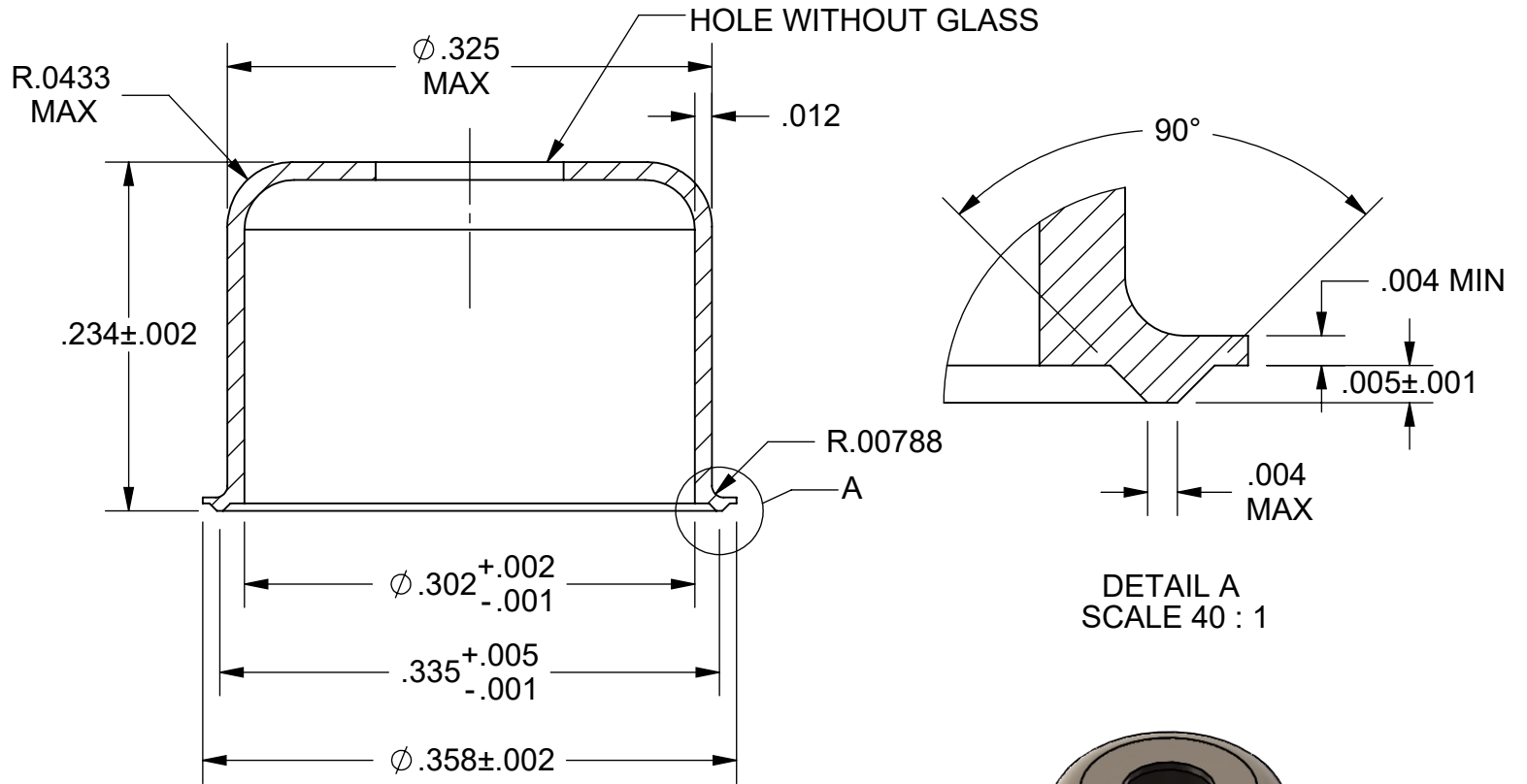
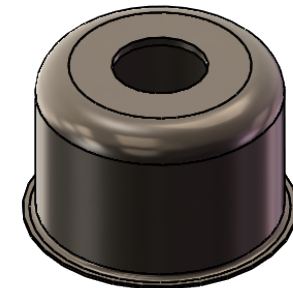
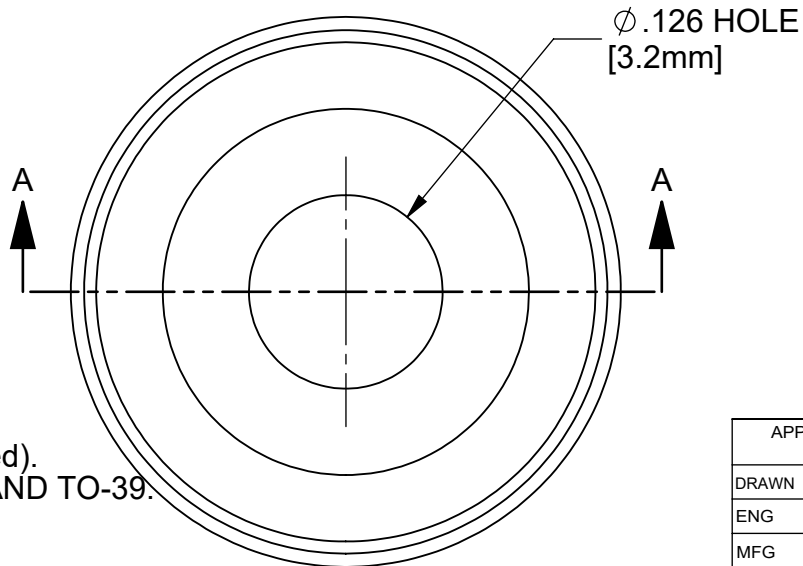


SECTION A-A



DETAIL A
SCALE 40 : 1



ISOMETRIC VIEW

Notes: (Unless Otherwise Specified).

- 1) CAN - CAP - LID FOR TO-5 AND TO-39.
- 2) NICKEL PLATED.
- 3) WELD PROJECTION.
- 4) DIMENSIONS IN INCH.
- 5) HOLE WITHOUT GLASS.

APPROVALS		DATE		TopLine [®]			
DRAWN T. Au		10/10/2019					
ENG M. Hart		10/10/2019		TITLE LID TO-5N-3.2MM			
MFG				0.234" H WITH .126" HOLE			
QA		SCALE	SIZE	DRAWING NO.	REV		
CUST		8:1	A	150125	A		
REVISED		DO NOT SCALE DRAWING			SHEET 1 OF 1		