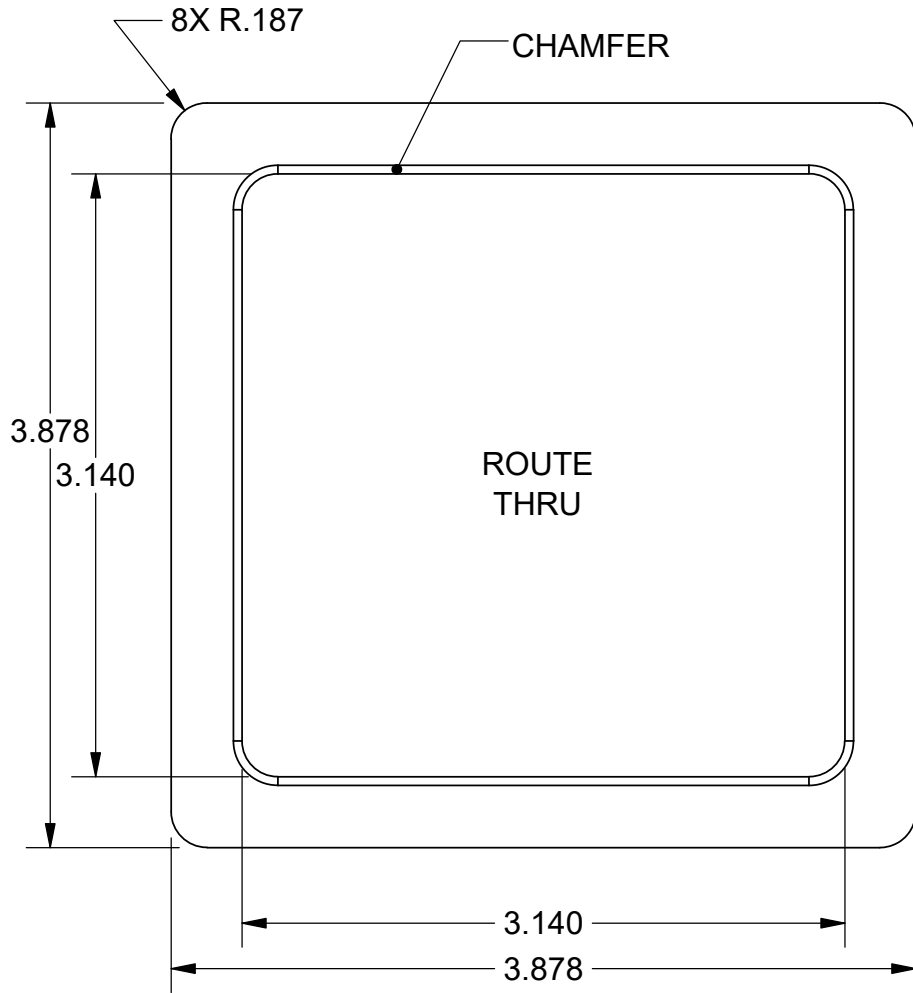
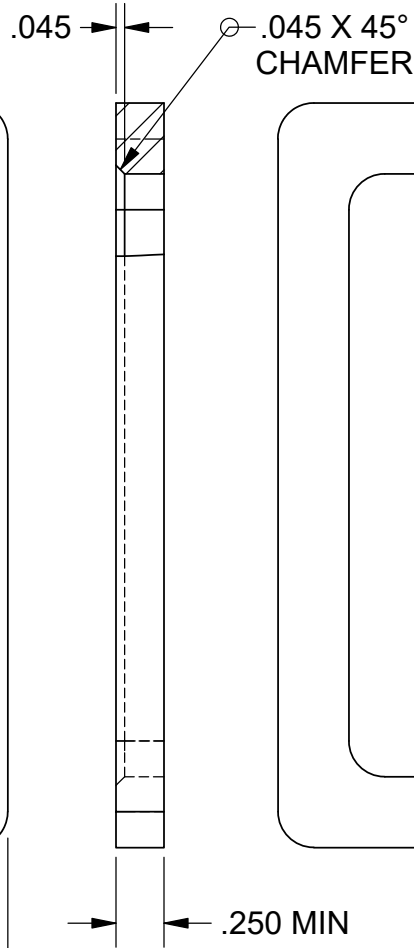


LAYER 1 - FRAME
ROUTING AND DRILL

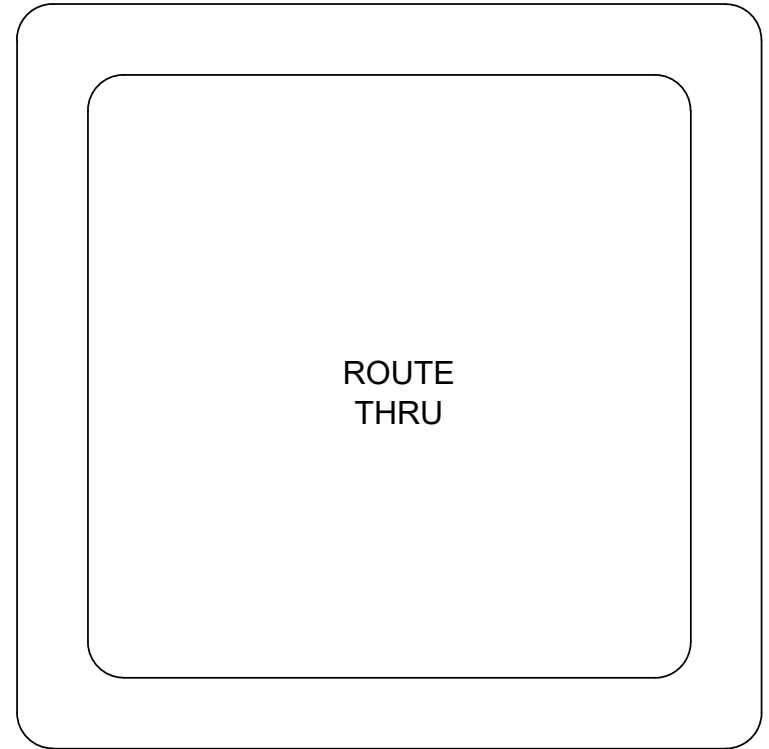
TOP



SIDE



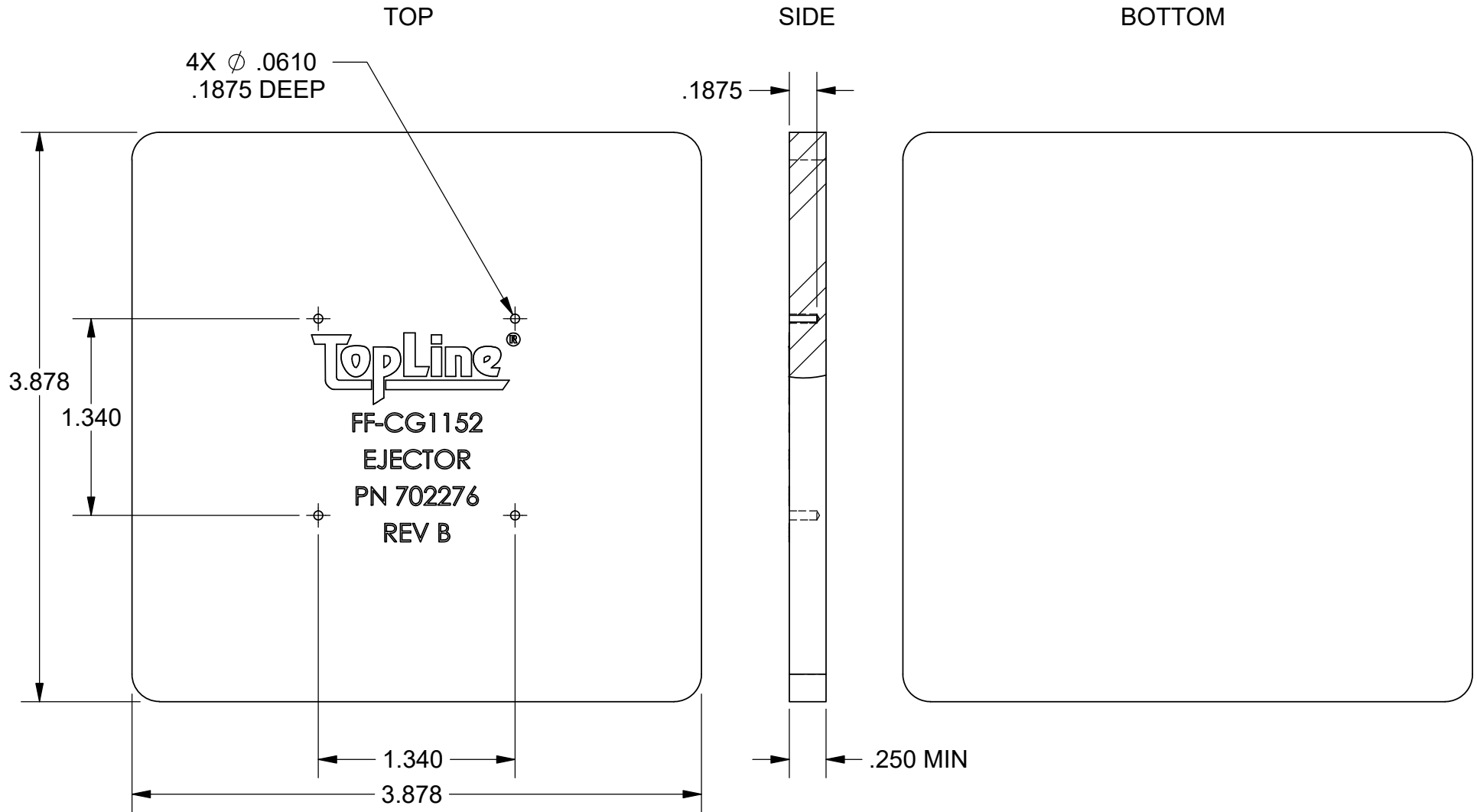
BOTTOM



NOTES: (UNLESS OTHERWISE SPECIFIED).
1) DIMENSIONS: INCHES.
2) MATERIAL: BLACK ESD FR4, 0.250" THICK.

APPROVALS		DATE	TopLine [®]			
DRAWN J. Hines		2/23/2018				
ENG M. Hart		2/23/2018	TITLE C7-EJECT-1152-B			
MFG			EJECTOR FOR LAPPING TOOL			
QA			SCALE 1:1	SIZE A	DRAWING NO. 702276	REV B
CUST			DO NOT SCALE DRAWING		SHEET 1 OF 6	
REVISED						

LAYER 2 - BASE PLATE
ROUTING AND DRILL



NOTES:

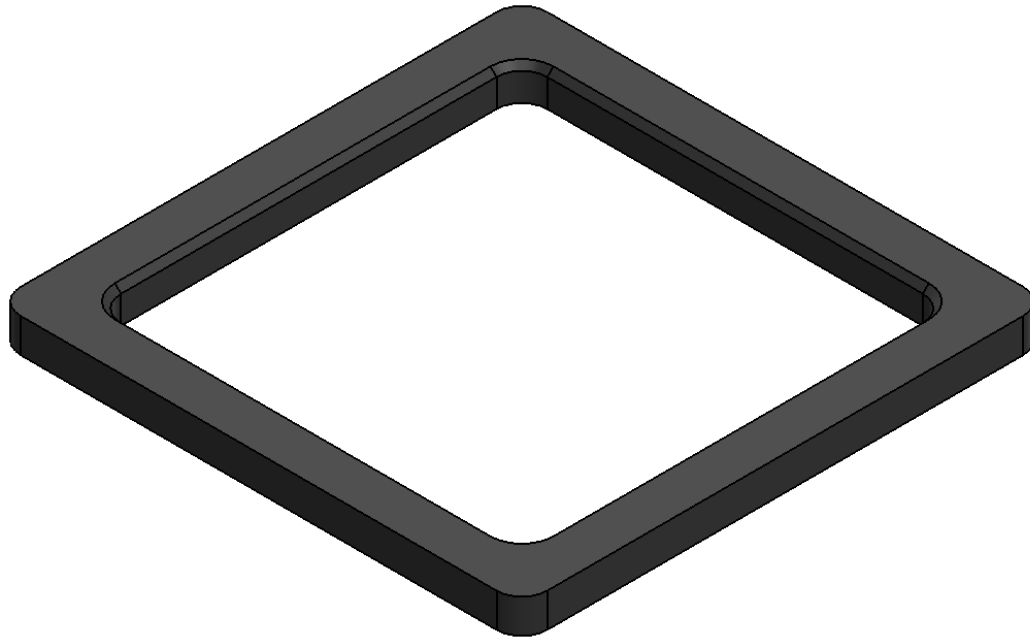
- 1) DIMENSIONS: INCHES.
- 2) MATERIAL: BLACK ESD FR4.
- 3) LEGEND: WHITE INK.

DRILL TABLE			
SYMBOL	ϕ DIA	DEPTH	NBR
\oplus	0.0610	0.1875	4

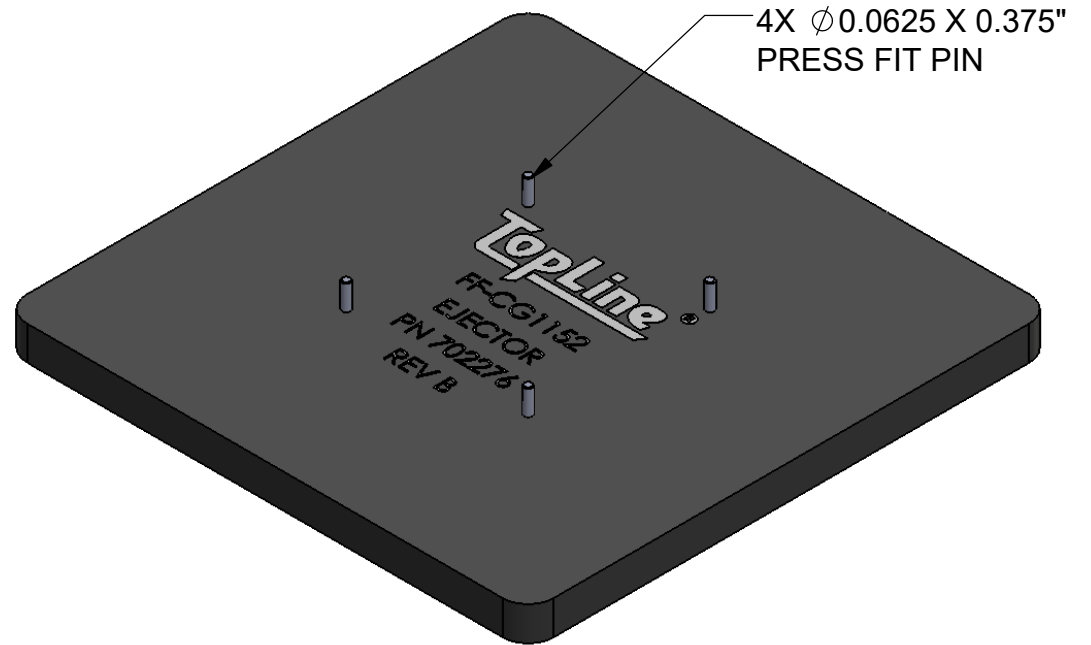
TopLine®			
TITLE		C7-EJECT-1152-B	
		EJECTOR FOR LAPPING TOOL	
SCALE	SIZE	DRAWING NO.	REV
1:1	A	702276	B
DO NOT SCALE DRAWING			SHEET 2 OF 6

LAYER 1 - FRAME

MODELS

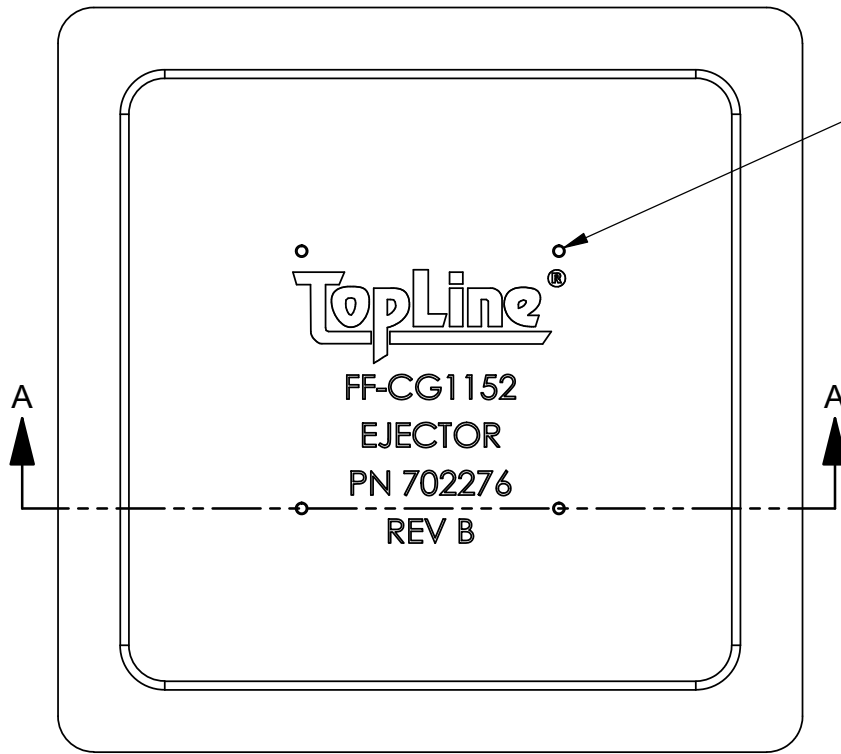


LAYER 2 - TOP

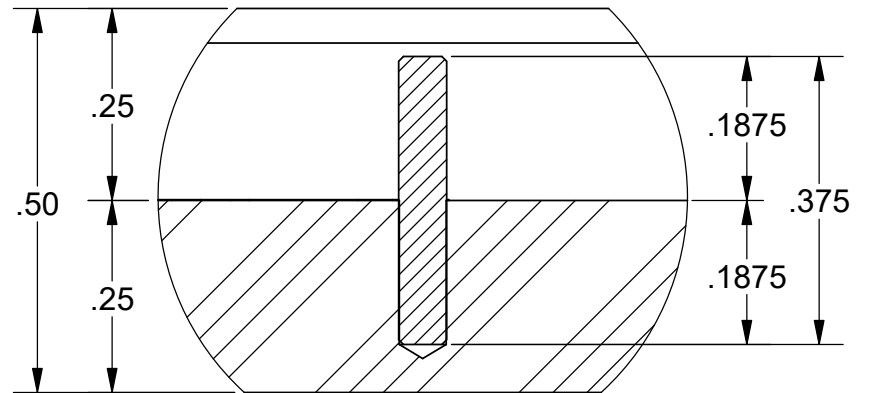


TopLine [®]			
TITLE C7-EJECT-1152-B EJECTOR FOR LAPPING TOOL			
SCALE 1:1	SIZE A	DRAWING NO. 702276	REV B
DO NOT SCALE DRAWING			SHEET 3 OF 6

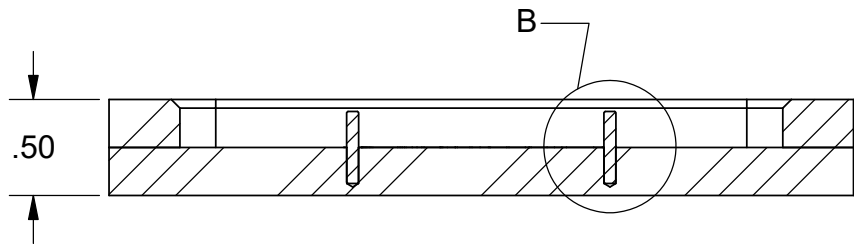
ASSEMBLY WITH PINS



PRESS FIT PINS OR
PERMANENT ADHESIVE
4 POSITIONS



DETAIL B
SCALE 4 : 1

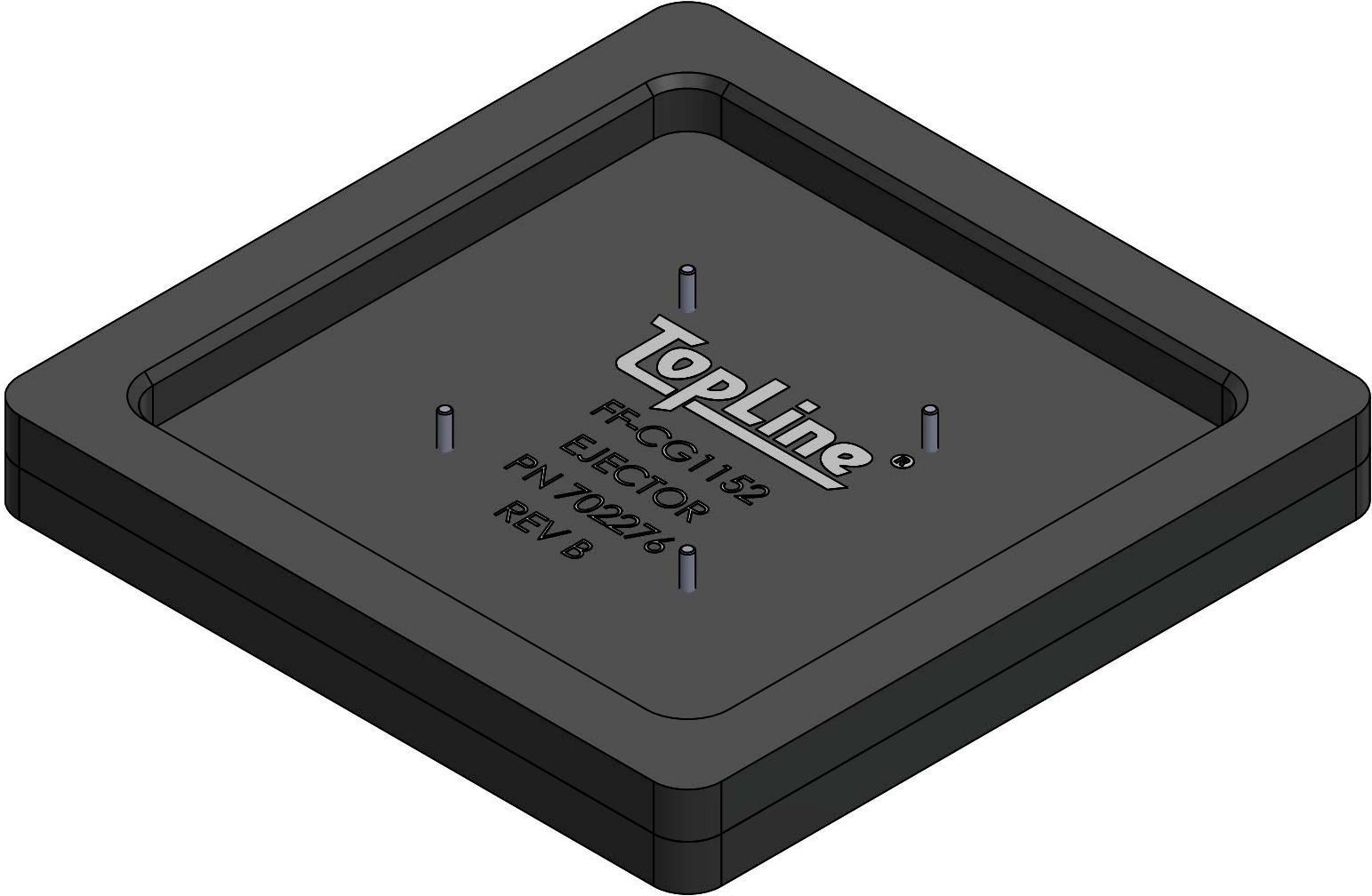


SECTION A-A

NOTES:
1) DIMENSIONS: INCHES.

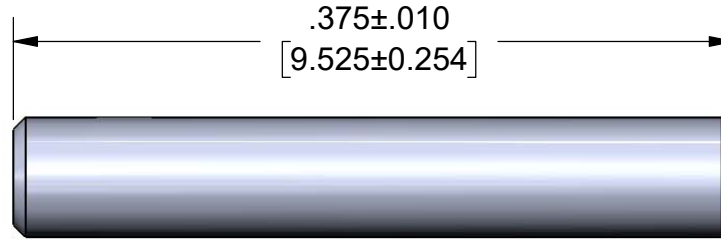
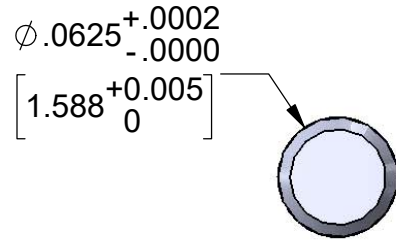
TopLine [®]			
TITLE C7-EJECT-1152-B EJECTOR FOR LAPPING TOOL			
SCALE 1:1	SIZE A	DRAWING NO. 702276	REV B
DO NOT SCALE DRAWING			SHEET 4 OF 6

ASSEMBLY MODEL

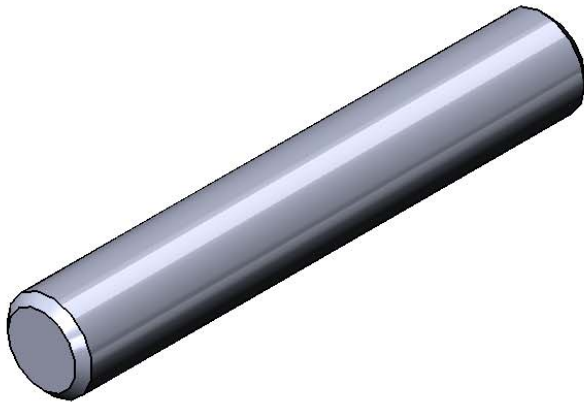


TopLine [®]			
TITLE		C7-EJECT-1152-B EJECTOR FOR LAPPING TOOL	
SCALE	SIZE	DRAWING NO.	REV
1.5:1	A	702276	B
DO NOT SCALE DRAWING			SHEET 5 OF 6

HARDWARE
STAINLESS STEEL PINS
DWG 702554



MODEL



NOTES:

- 1) DIMENSIONS: INCHES [MM].
- 2) MATERIAL: STAINLESS STEEL 316.

TopLine [®]			
TITLE		C7-EJECT-1152-B EJECTOR FOR LAPPING TOOL	
SCALE	SIZE	DRAWING NO.	REV
10:1	A	702276	B
DO NOT SCALE DRAWING			SHEET 6 OF 6