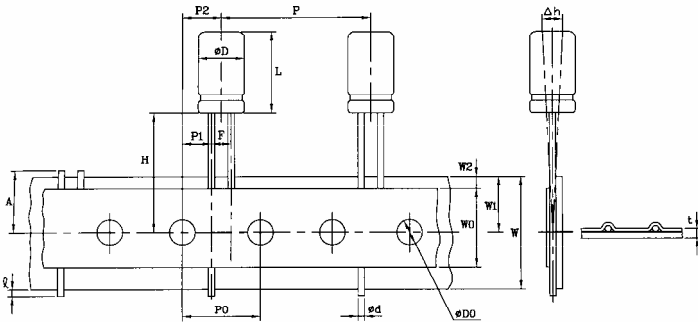


## RADIAL AL Cap TAPING

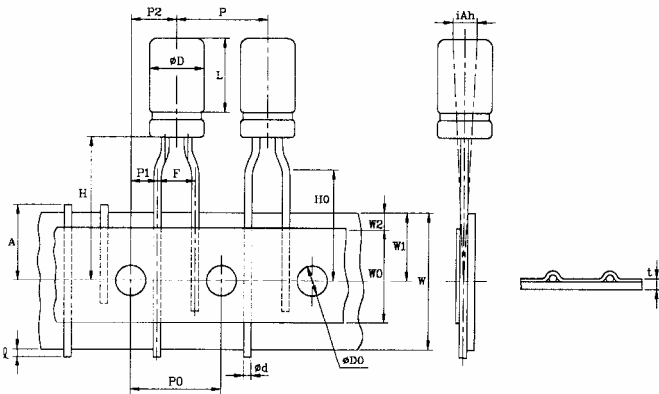
### Lead space 2.5mm



Symbol	Dimension	Tolerance
<b>Body Dia</b>	<b><math>\phi 4, \phi 5, \phi 6, \phi 6.3</math></b>	<b>(mm)</b>
P	12.7	$\pm 1.0$
Po	12.7	$\pm 0.3$
P <sub>2</sub>	6.35	$\pm 1.0$
F (Pitch)	2.5mm	$\pm 0.5$
$\Delta h$	0	$\pm 2.0$
W	18.0	$\pm 0.5$
W <sub>o</sub>	12.5	min.
W <sub>1</sub>	9.0	$\pm 0.5$
W <sub>2</sub>	2.0	max.
H	18.5	$\pm 0.75$
H <sub>o</sub>	16.0	$\pm 0.5$
$\ell$	2.0	max.
$\phi D_0$	4.0	0.2
t	0.7	0.5
A	11.10	max.
L	7.11	+ 10

● PACKAGING

$\phi D$	Q'TY	BOX
4	2.500	2.500
5	2.000	2.000
6,6.3	1.500	1.500



### Lead space 5mm

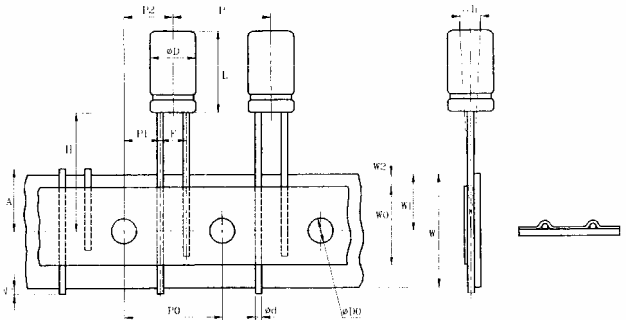
● PACKAGING

$\phi D$	Q'TY	BOX
4	2.500	2.500
5	2.000	2.000
6,6.3	1.500	1.500
8	1.000	1.000

Symbol	Dimension	Tolerance
<b>Body Dia</b>	<b><math>\phi 4, \phi 5, \phi 6, \phi 6.3, \phi 8</math></b>	<b>(mm)</b>
P	12.7	$\pm 1.0$
Po	12.7	$\pm 0.3$
P <sub>2</sub>	6.35	$\pm 1.0$
F (Pitch)	5.0mm	$\pm 0.5$
$\Delta h$	0	$\pm 2.0$
W	18.0	$\pm 0.5$
W <sub>o</sub>	12.5	min.
W <sub>1</sub>	9.0	$\pm 0.5$
W <sub>2</sub>	2.0	max.
H	18.5	$\pm 0.75$
H <sub>o</sub>	16.0	$\pm 0.5$
$\ell$	2.0	max.
$\phi D_0$	4.0	0.2
t	0.7	0.5
A	11.0	max.
L	7,11,11	+ 10

## RADIAL AL Cap TAPING

### Lead space 5mm

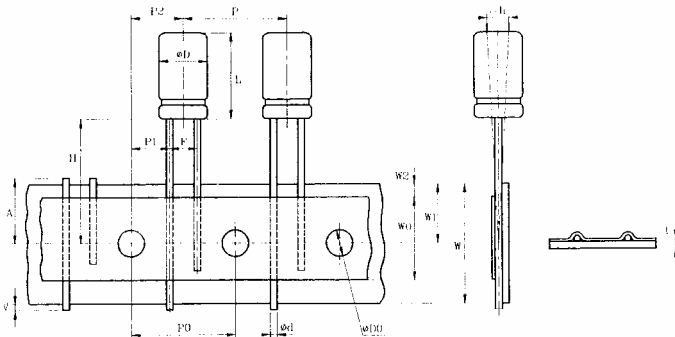


PACKAGING :

$\phi D$	Q'TY	BOX
10	500	
13	300	

Symbol	Dimension		Tolerance
	D $\phi$ 10	D $\phi$ 13	
P <sub>0</sub>	12.7	15	+ 0.3
P <sub>2</sub>	6.35	7.5	+ 1.0
F (Pitch)	5.0mm	5.0mm	$\pm$ 0.5
$\Delta_h$	0	0	+ 2.0
W	18.0	18.0	+ 0.5
W <sub>0</sub>	12.5	12.5	min.
W <sub>1</sub>	9.0	9.0	+ 0.5
W <sub>2</sub>	2.0	2.0	max.
H	18.5	18.5	+ 0.75
H <sub>0</sub>	2.0	2.0	max.
$\ell$	4.0	4.0	+ 0.2
$\phi D_0$	0.7	0.7	+ 0.5
t	11.0	11.0	max.
A	0.6	0.6	$\pm$ 0.05
L	12.5,16,21	21,26	+ 1.5

### Lead space 7.5mm



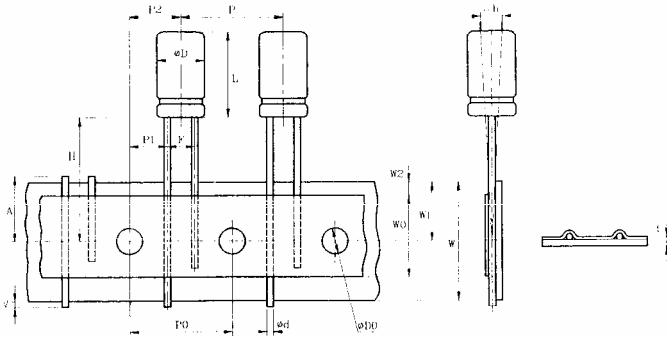
● PACKAGING :

$\phi D$	Q'TY	BOX
16	300	

Symbol	Dimension	Tolerance
	D $\phi$ 16	
P	30.0	+ 1.0
P <sub>0</sub>	15.0	+ 0.3
P <sub>2</sub>	7.5	+ 1.0
F (Pitch)	7.5mm	$\pm$ 5.0
$\Delta_h$	0	+ 2.0
W	18.0	+ 0.5
W <sub>0</sub>	12.5	min.
W <sub>1</sub>	9.0	+ 0.5
W <sub>2</sub>	2.0	max.
H	18.5	+ 0.75
$\ell$	2.0	2.0
$\phi D_0$	4.0	+ 0.2
t	0.7	+ 0.2
A	11.0	max.
$\phi d$	0.8	+ 0.05
L	26,31	

## RADIAL AL Cap TAPING

**Lead space 3.5mm**



● **PACKAGING**

$\phi D$	Q'TY	BOX
8	8	1000

Symbol	Dimension	Tolerance
	D $\phi$ 8	
P	12.7	+ 1.0
P <sub>o</sub>	12.7	+ 0.3
P <sub>2</sub>	6.35	+ 1.0
F Pitch	3.5mm	$\pm 0.5$
$\Delta_h$	0	+ 2.0
W	18.0	$\pm 0.5$
W <sub>o</sub>	12.5	min.
W <sub>1</sub>	9.0	+ 0.5
W <sub>2</sub>	2.0	max.
H	18.5	+ 0.75
$\ell$	2.0	max.
$\phi D_o$	4.0	+ 0.2
t	0.7	+ 0.5
A	11.0	max.
$\phi d$	0.6	$\pm 0.05$
L	12,14,16	+ 1.5