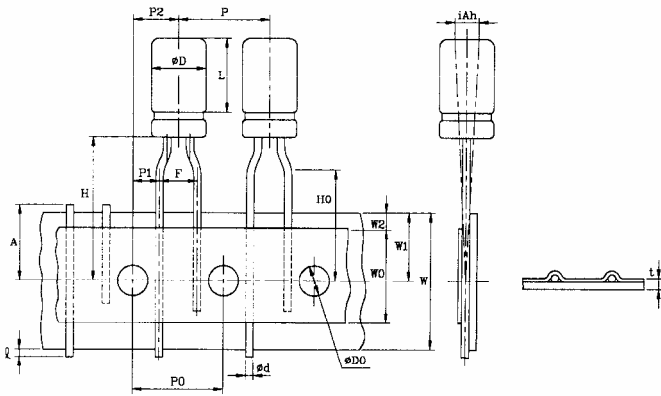


Lead space 5.0mm

RADIAL AL Cap TAPING

Lead space 5.0mm



Lead space 5mm

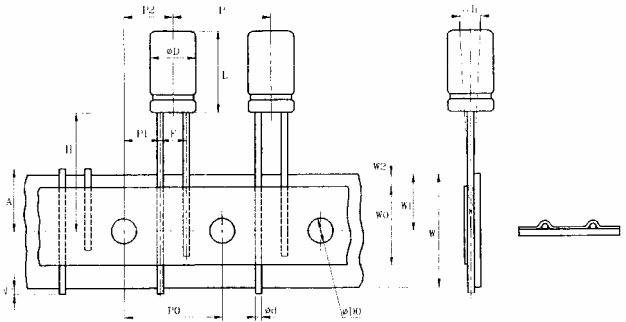
Body Dia	$\phi 4, \phi 5, \phi 6, \phi 6.3, \phi 8$	(mm)
Symbol	Dimension	Tolerance
P	12.7	± 1.0
Po	12.7	± 0.3
P ₂	6.35	± 1.0
F (Pitch)	5.0mm	± 0.5
Δ_h	0	± 2.0
W	18.0	± 0.5
W _o	12.5	min.
W ₁	9.0	± 0.5
W ₂	2.0	max.
H	18.5	± 0.75
H _o	16.0	± 0.5
l	2.0	max.
ϕD_o	4.0	0.2
t	0.7	0.5
A	11.0	max.
L	7,11,11	+ 10

● PACKAGING

ϕD	Q'TY	BOX
4	2.500	
5	2.000	
6,6.3	1.500	
8	1.000	

RADIAL AL Cap TAPING

Lead space 5mm Continued



PACKAGING :

ϕD	Q'TY	BOX
10	500	
13	300	

Symbol	Dimension		Tolerance
	D ϕ 10	D ϕ 13	
P ₀	12.7	15	+ 0.3
P ₂	6.35	7.5	+ 1.0
F	5.0	5.0	± 0.5
Δ_h	0	0	+ 2.0
W	18.0	18.0	+ 0.5
W ₀	12.5	12.5	min.
W ₁	9.0	9.0	+ 0.5
W ₂	2.0	2.0	max.
H	18.5	18.5	+ 0.75
H ₀	2.0	2.0	max.
ℓ	4.0	4.0	+ 0.2
ϕD_0	0.7	0.7	+ 0.5
t	11.0	11.0	max.
A	0.6	0.6	± 0.05
L	12.5,16,21	21,26	+ 1.5