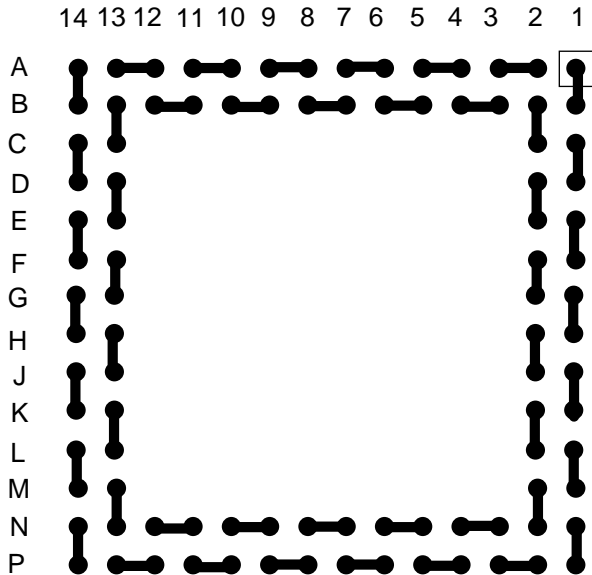
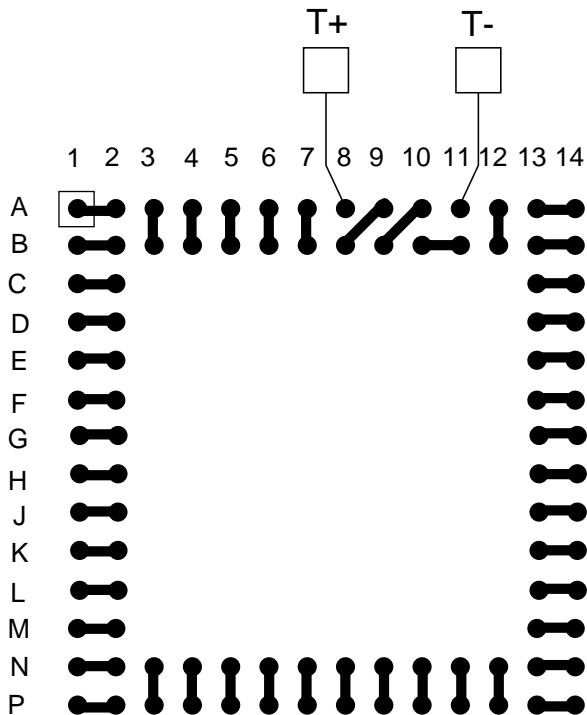
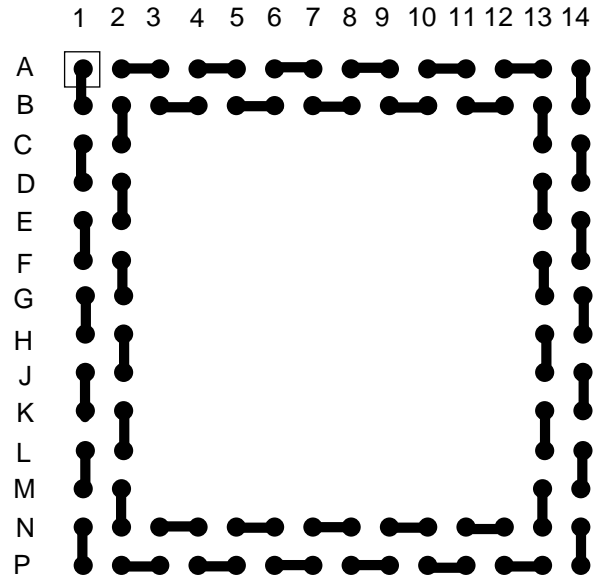


BALLS	PITCH	SIZE	MATRIX	ROWS	CENTER	MAT'L
96	0.5mm	8mm SQ	14 x 14	2	none	Flex Polyimide

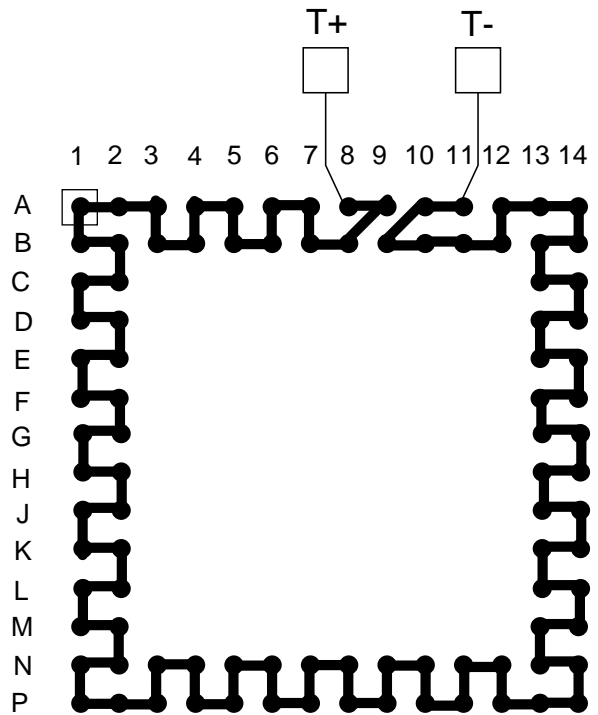
BALL VIEW



BOTTOM SIDE (TOP X-RAY VIEW)



TEST VEHICLE BOARD



AFTER MOUNTING TO TEST BOARD

fBGA96T.5-DC141

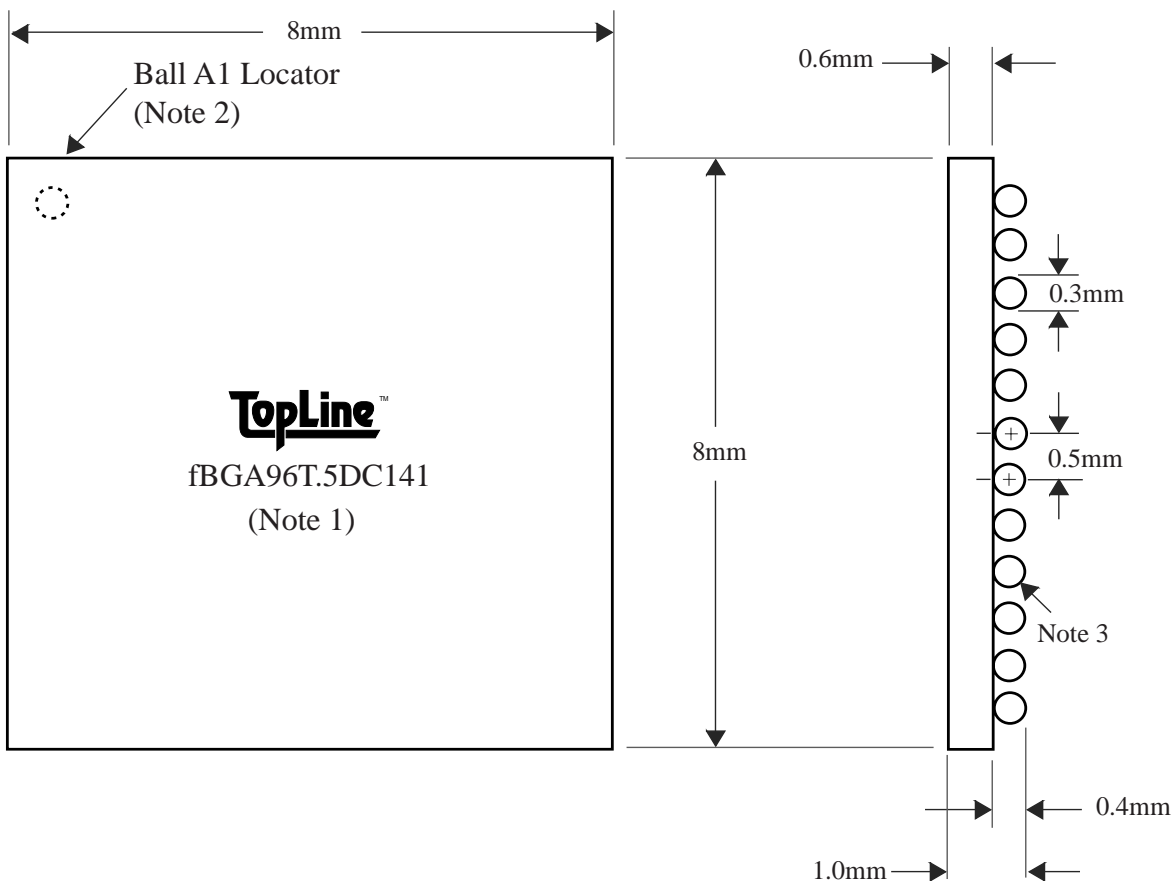


TEL 1-714-898-3830
info@toplinedummy.com

BALLS	PITCH	SIZE	MATRIX	ROWS	CENTER	MAT'L
96	0.5mm	8mm SQ	14 x 14	2	none	Flex Polyimide

TOP VIEW

SIDE VIEW



NOTES		REVISIONS		
Note 1	Logo and part number centered White ink on black solder mask	Rev	Date	Changes
Note 2	Ball A1 locator mark positioned in corner			
Note 3	Ball Material: Sn63			
Note 4	Substrate Material: Flex Polyimide			
		PACKAGING TRAYS		
		Tray BGATRAY8mm Tray Quantity 360		