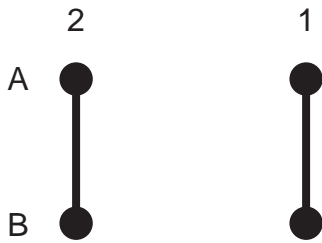
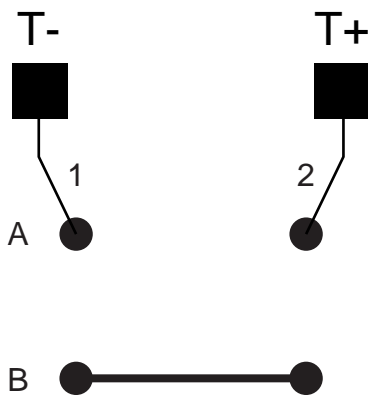
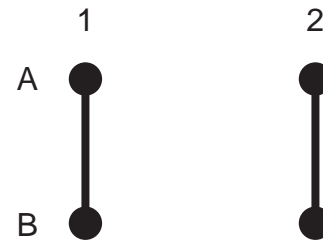


<u>BALLS</u>	<u>PITCH</u>	<u>SIZE</u>	<u>MATRIX</u>	<u>ROWS</u>	<u>CENTER</u>	<u>MAT'L</u>
4	0.65mm	1.0 x 0.5mm	2 x 2	full	na	Wafer Level Si

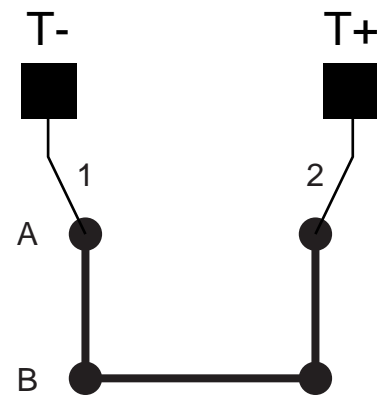
BALL VIEW



BOTTOM SIDE (TOP X-RAY VIEW)



Optional: Square Pads
TEST VEHICLE BOARD



AFTER MOUNTING TO TEST BOARD

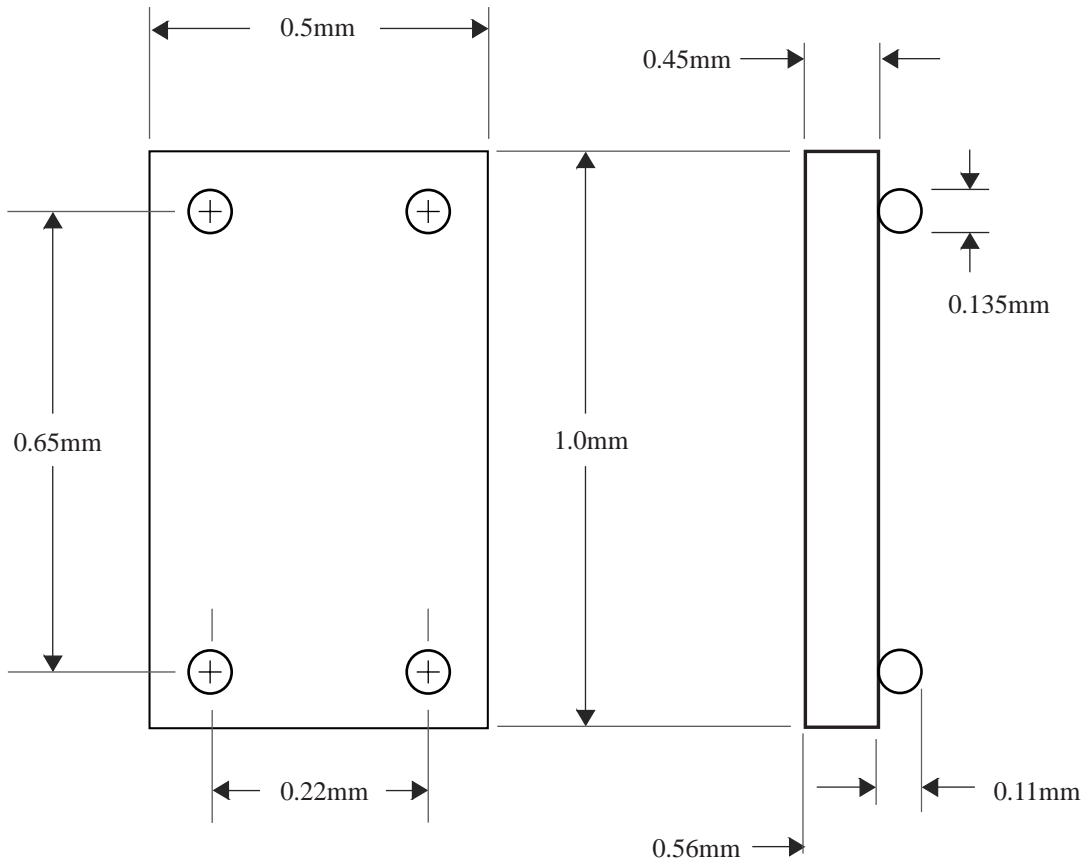
CSP4E7A.65-DC022



<u>BALLS</u>	<u>PITCH</u>	<u>SIZE</u>	<u>MATRIX</u>	<u>ROWS</u>	<u>CENTER</u>	<u>MAT'L</u>	TEL 1-714-898-3830
4	0.65mm	1.0 x 0.5mm	2 x 2	full	na	Wafer Level Si	info@topline.tv

BOTTOM VIEW

SIDE VIEW



NOTES		REVISIONS	
Note 1	Top marked with "P"	<u>Rev</u>	<u>Date</u> <u>Changes</u>
Note 2	Ball Material: 63/37 SnPb		
Note 3	Substrate Material: Si		
		PACKAGING TRAYS	
Alternate Part Nbr. FC4G1.0x0.5E650-DC		Packaging: Tape and Reel Reel Quantity: 3000, 1000, 500	