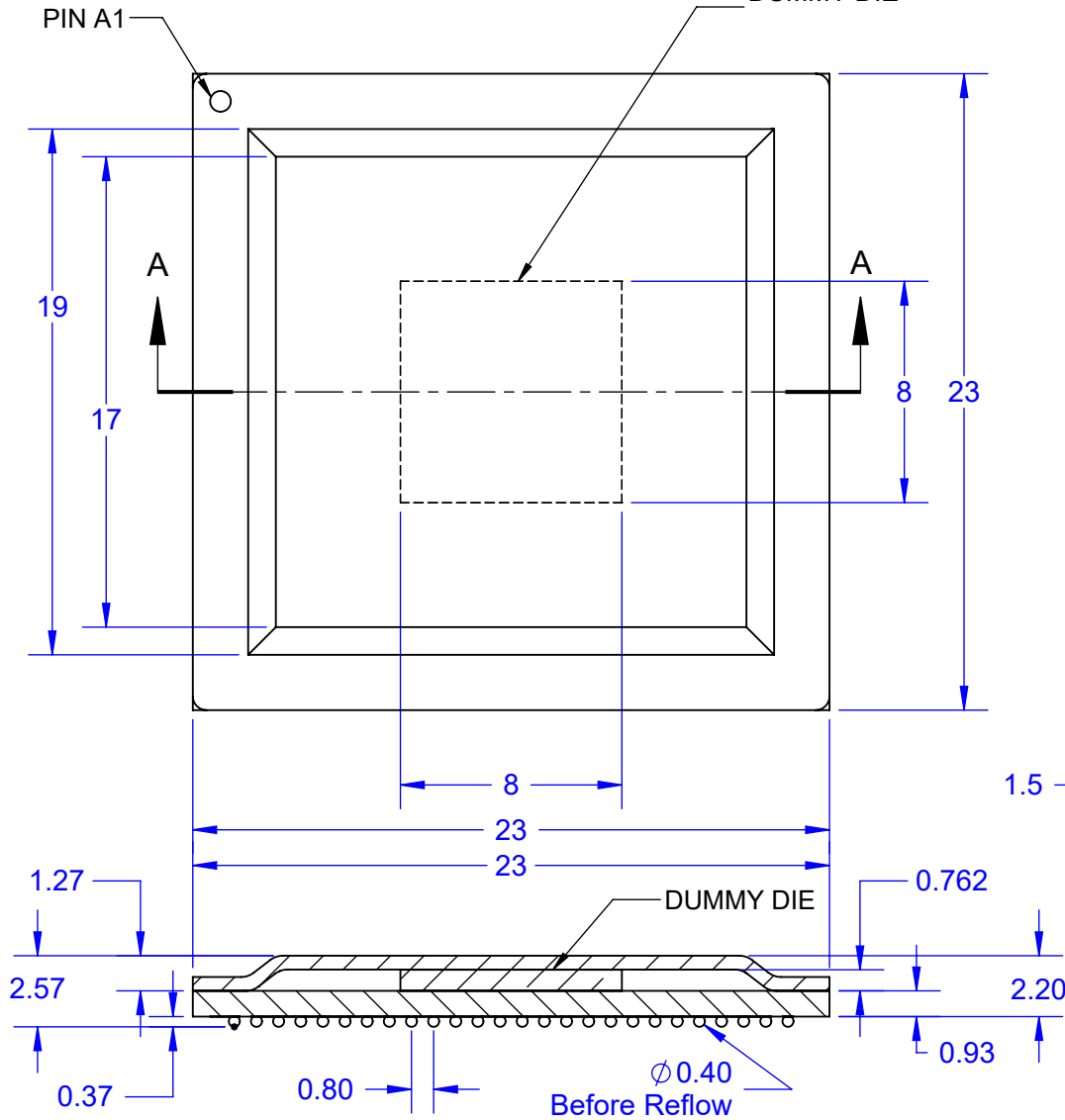


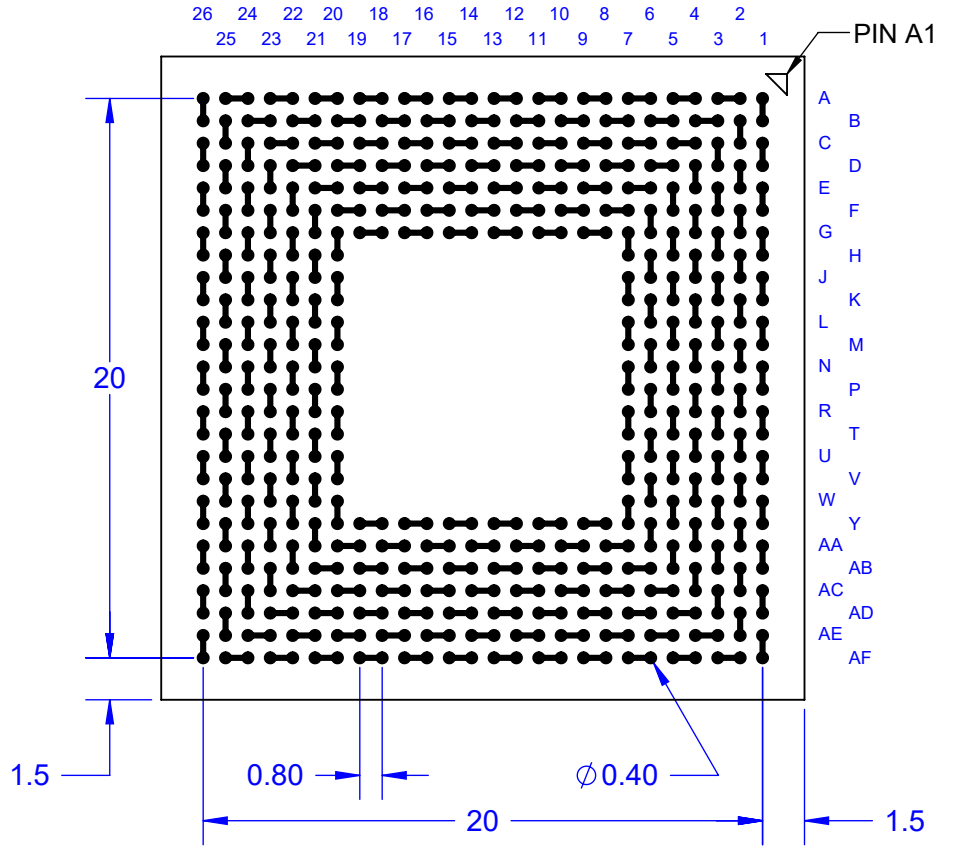
TOP VIEW

DUMMY DIE



SECTION A-A

BALL VIEW




Notes: (Unless Otherwise Specified).

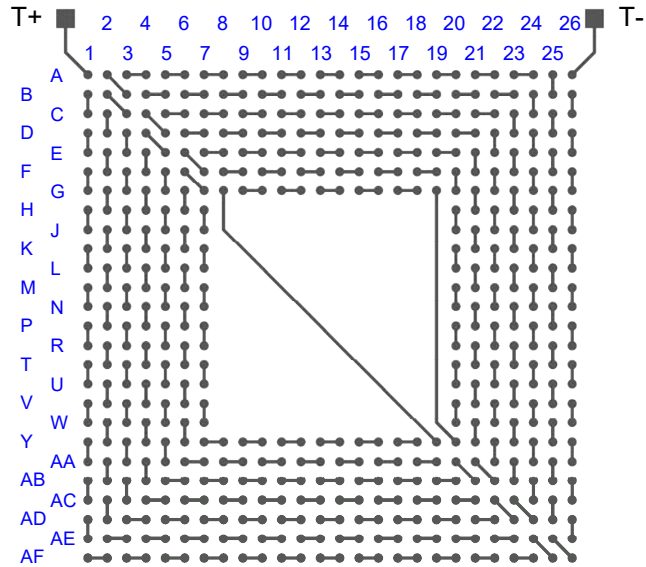
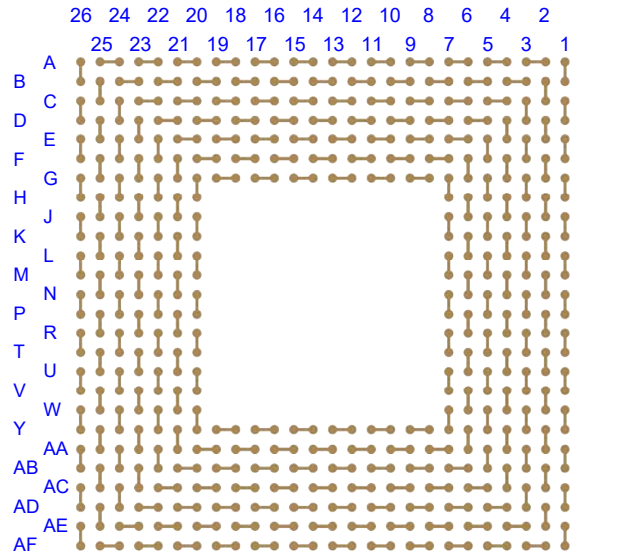
- 1) ALL DIMENSIONS ARE IN MM.
- 2) SOLDER BALL ALLOY: SEE PART NUMBER TABLE.
- 3) BALL DIAMETER (BEFORE REFLOW): 0.40mm.
- 4) SOLDER MASK DEFINED PAD OPENING: 0.33mm (13 MIL).
- 5) PAD Cu DIAMETER: 0.508mm (20 MIL).
- 6) SUBSTRATE MATERIAL: BT.
- 7) DUMMY DIE IS OPTIONAL.
- 8) DAISY CHAIN PATTERN (SEE PAGE 2).
- 9) MSL-3 RECOMMENDED BAKING 24 HOURS @ 125°C TO REMOVE MOISTURE PRIOR SOLDERING TO PC BOARD.

PART NUMBER TABLE

PART NUMBER	BALL ALLOY	BALL CODE	RoHS	Si DIE
SBGA532T.8C-DC266D	Sn96.5/Ag3.0/Cu0.5	SAC305	YES	YES
SBGA532T.8-DC266D	Sn63/Pb37	Sn63	NO	YES

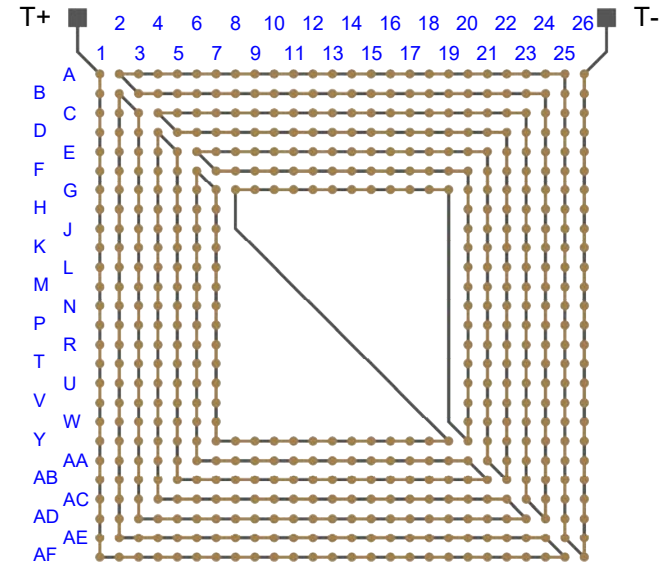
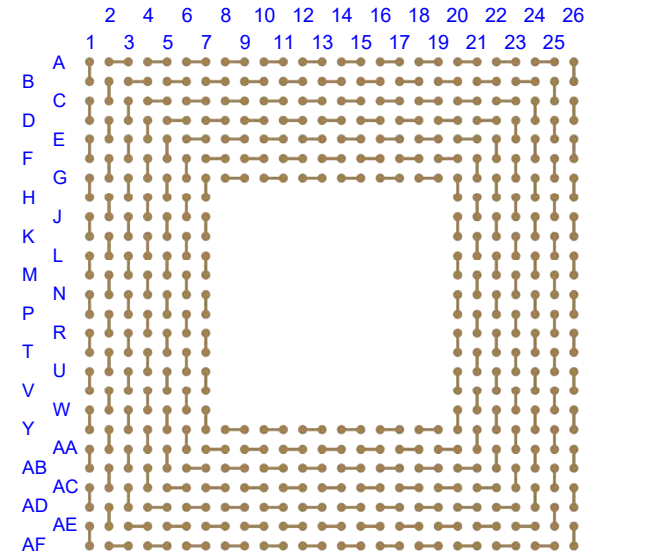
APPROVALS	DATE				
DRAWN T.Au	5/26/2025				
ENG M. Hart	5/26/2025	TITLE		SBGA532T.8-DC266D DAISY CHAIN DUMMY	
MFG		SCALE	SIZE	DRAWING NO.	REV
QA		3.7:1	A	582666	B
CUST		DO NOT SCALE DRAWING			SHEET 1 OF 5
REVISED					

BALL VIEW



TEST VEHICLE BOARD

BOTTOM SIDE (TOP X-RAY VIEW)

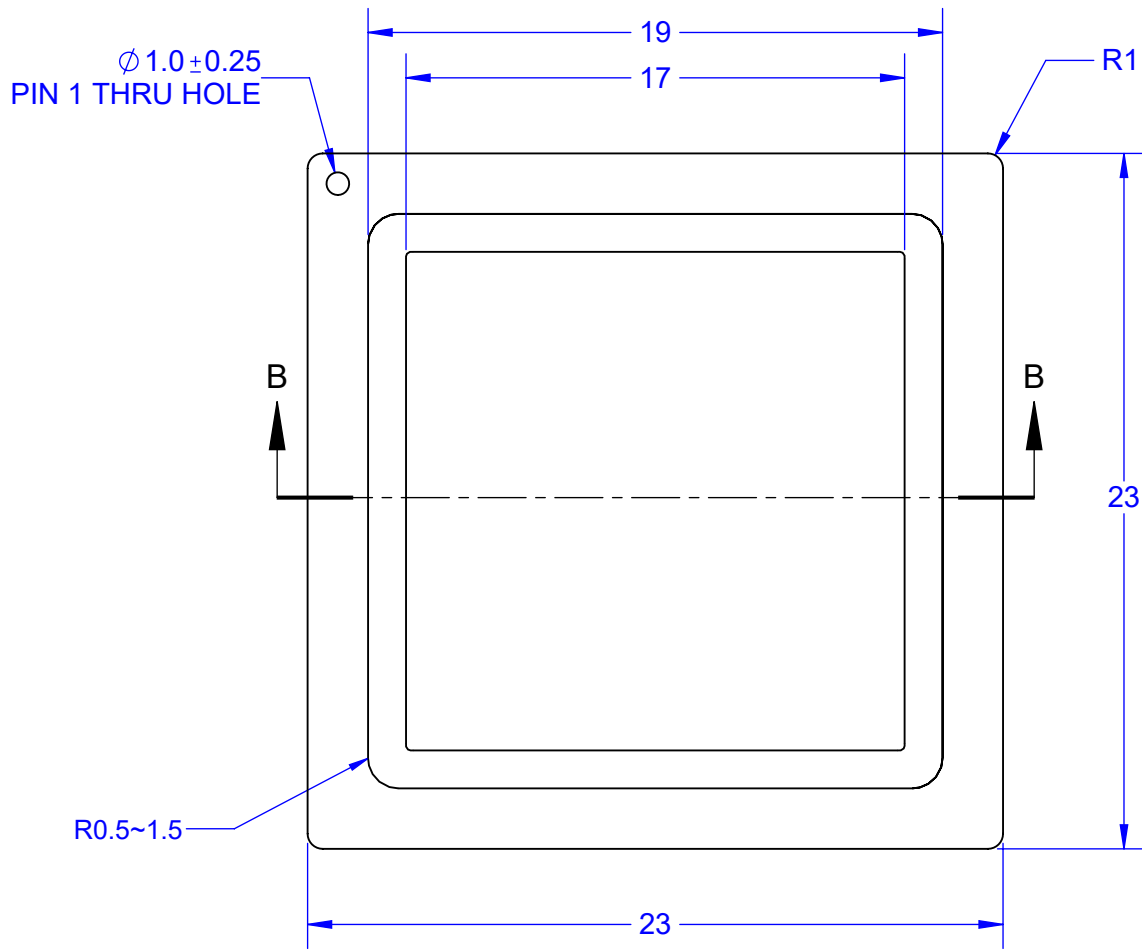


AFTER MOUNTING

Notes:

- 1) PCB BOARD DIMENSIONS ARE PRESENTED ONLY AS A GUIDELINE. DESIGNERS SHOULD USE THEIR OWN EXPERIENCE WHEN DESIGNING PCB.
- 2) PCB Cu BALL PAD DIAMETER 0.508mm (20 MIL).
- 3) PCB DAISY CHAIN TRACING LINE WIDTH 0.152mm (6 MIL).
- 4) SMD (SOLDER MASK DEFINED) PAD OPENING: 0.33mm (13 MIL).

TopLine®			
TITLE		SBGA532T.8-DC266D DAISY CHAIN DUMMY	
SCALE	SIZE	DRAWING NO.	REV
3:1	A	582666	B
DO NOT SCALE DRAWING			SHEET 2 OF 5

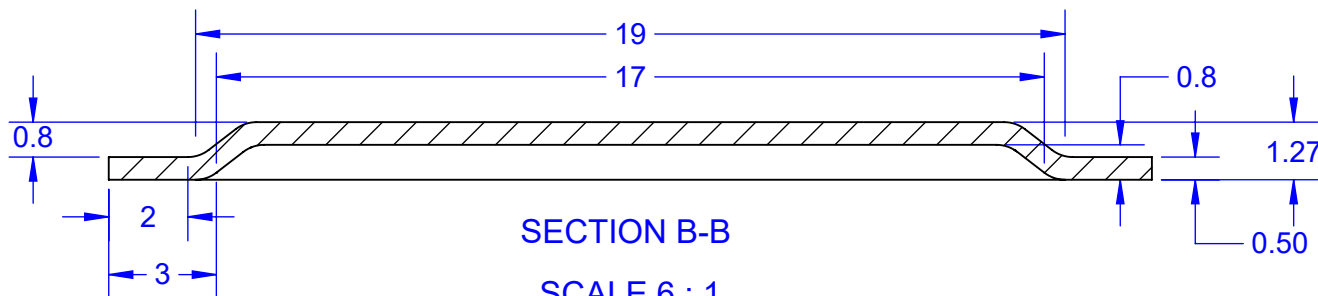


TOP



MODEL

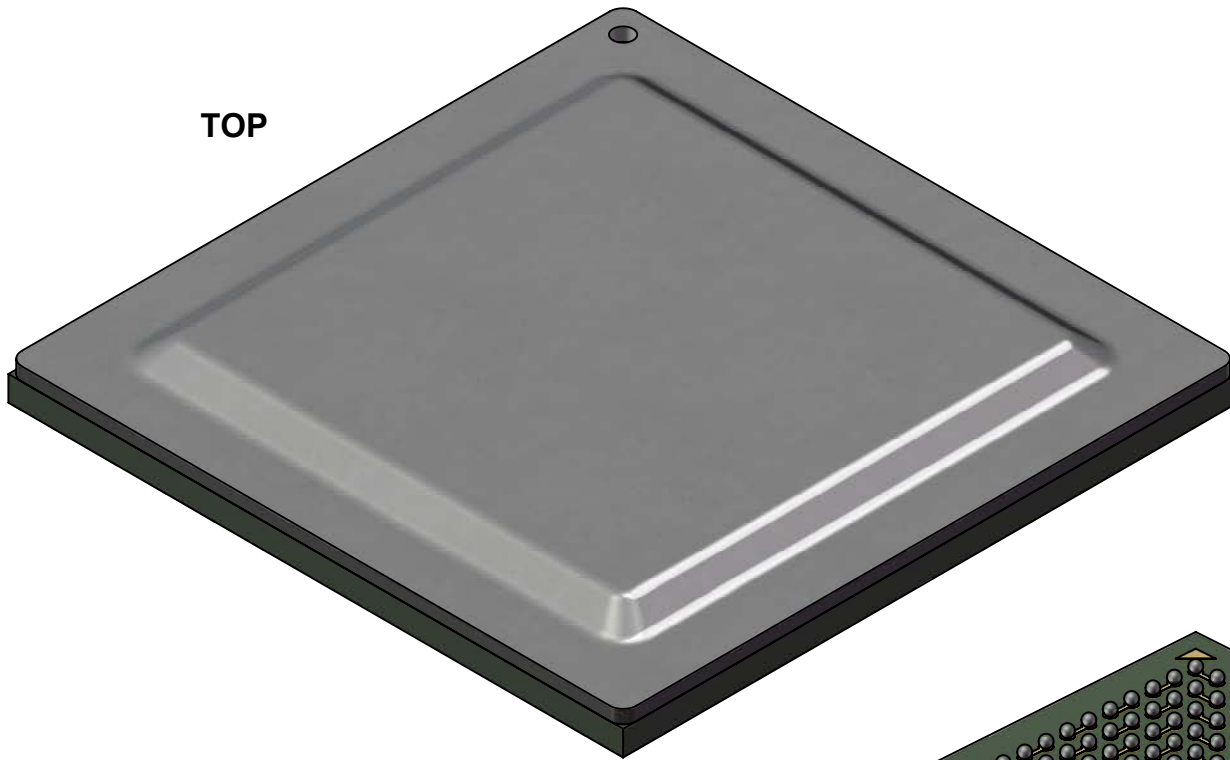
CAVITY



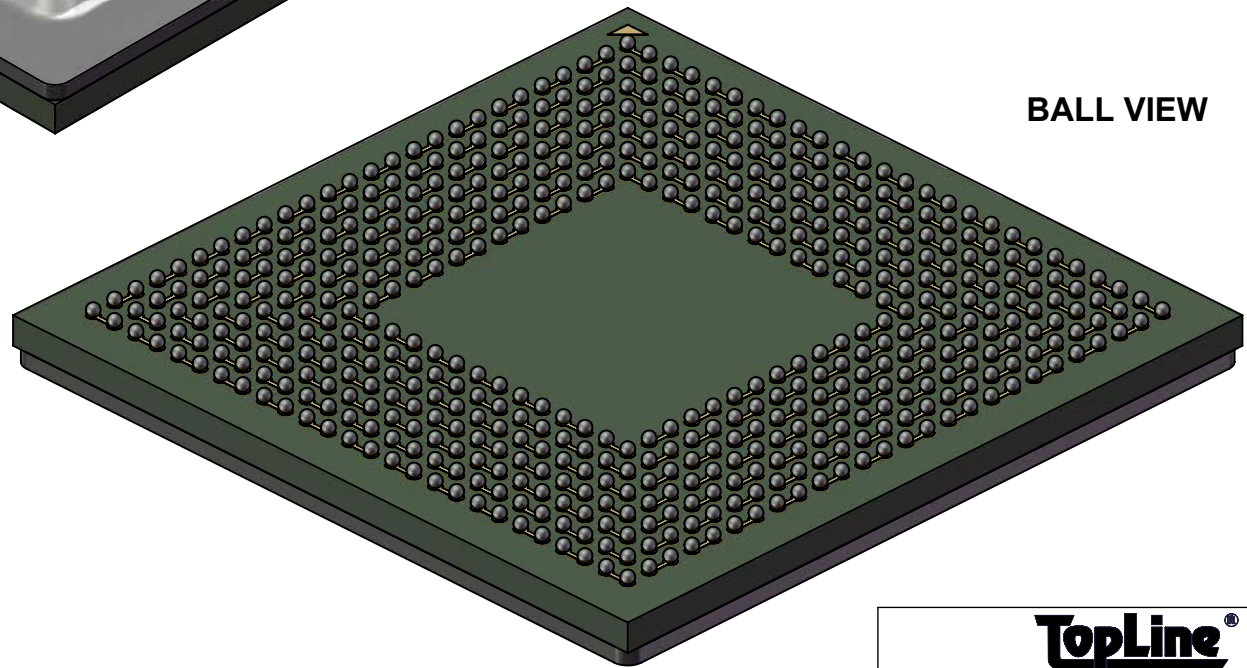
TopLine®			
TITLE SBGA532T.8-DC266D DAISY CHAIN DUMMY			
SCALE 3:1	SIZE A	DRAWING NO. 582666	REV B
DO NOT SCALE DRAWING			SHEET 3 OF 5

MODEL

TOP



BALL VIEW



TopLine[®]

TITLE SBGA532T.8-DC266D
DAISY CHAIN DUMMY

SCALE 5:1	SIZE A	DRAWING NO. 582666	REV B
--------------	-----------	-----------------------	----------

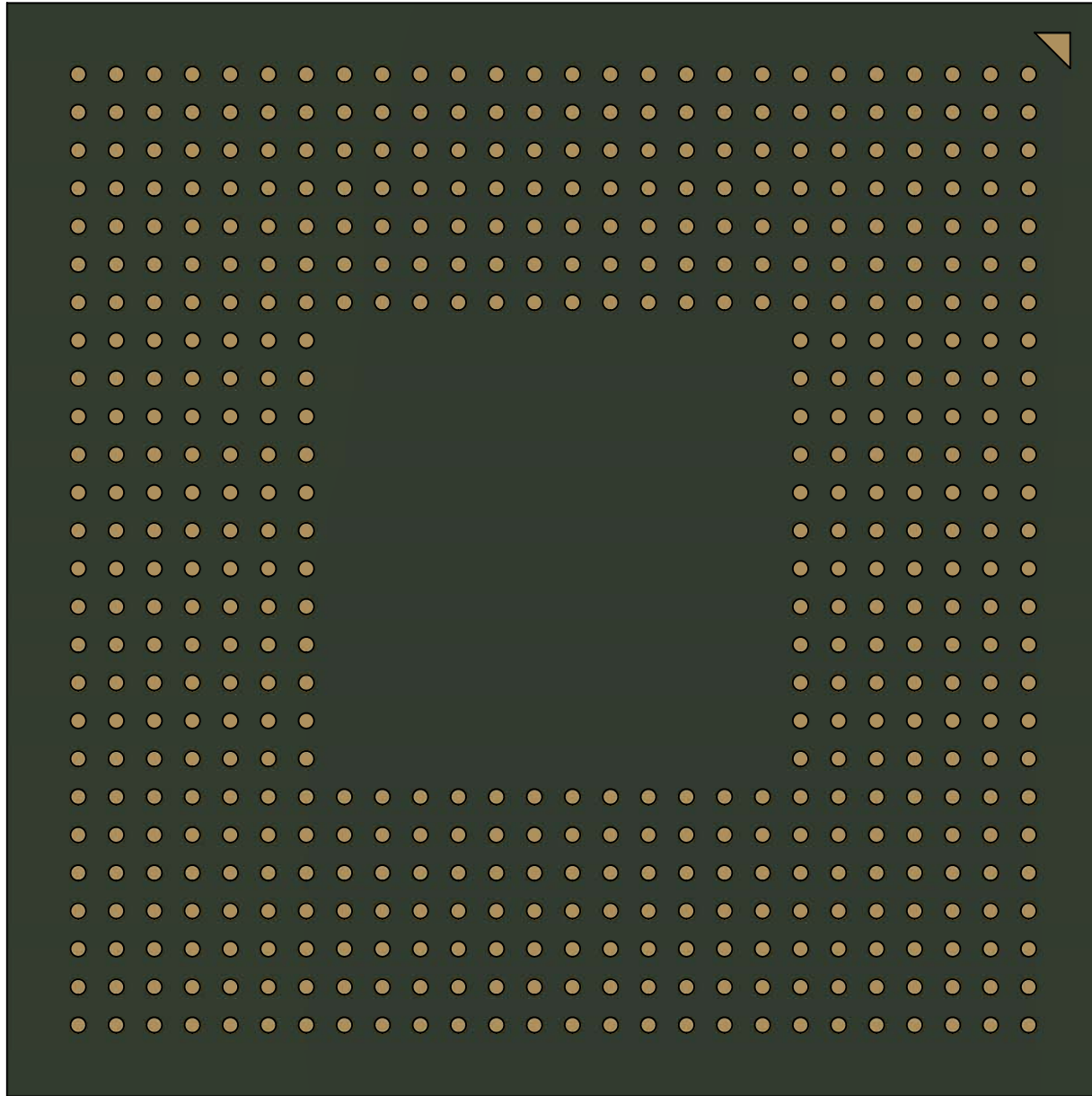
DO NOT SCALE DRAWING

SHEET 4 OF 5

**BOTTOM SOLDER MASK
(RIGHT READING)**

26 25 24 23 22 21 20 19 18 17 16 15 14 13 12 11 10 9 8 7 6 5 4 3 2 1

A
B
C
D
E
F
G
H
J
K
L
M
N
P
R
T
U
V
W
Y
AA
AB
AC
AD
AE
AF



TopLine®			
TITLE BGA532T.8-DC266D DAISY CHAIN DUMMY			
SCALE 3:1	SIZE A	DRAWING NO. 582666	REV B
DO NOT SCALE DRAWING			SHEET 5 OF 5