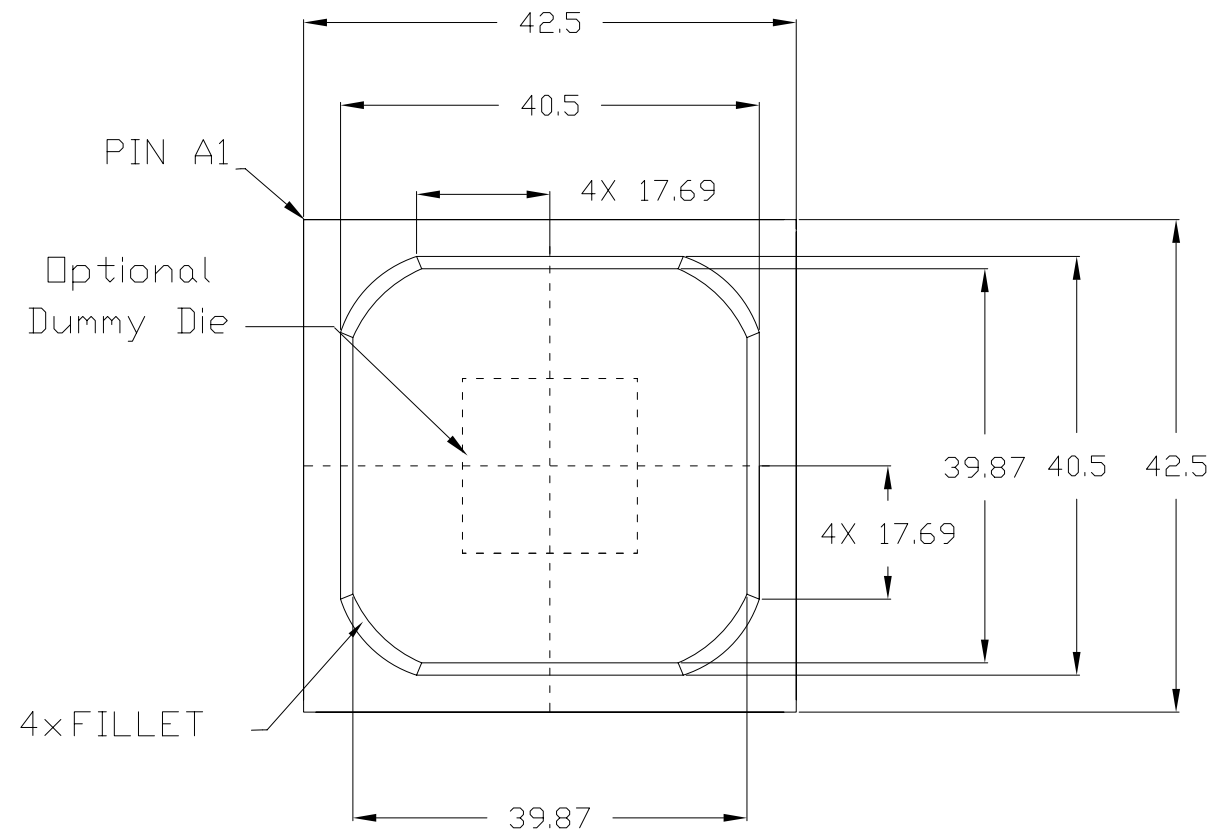
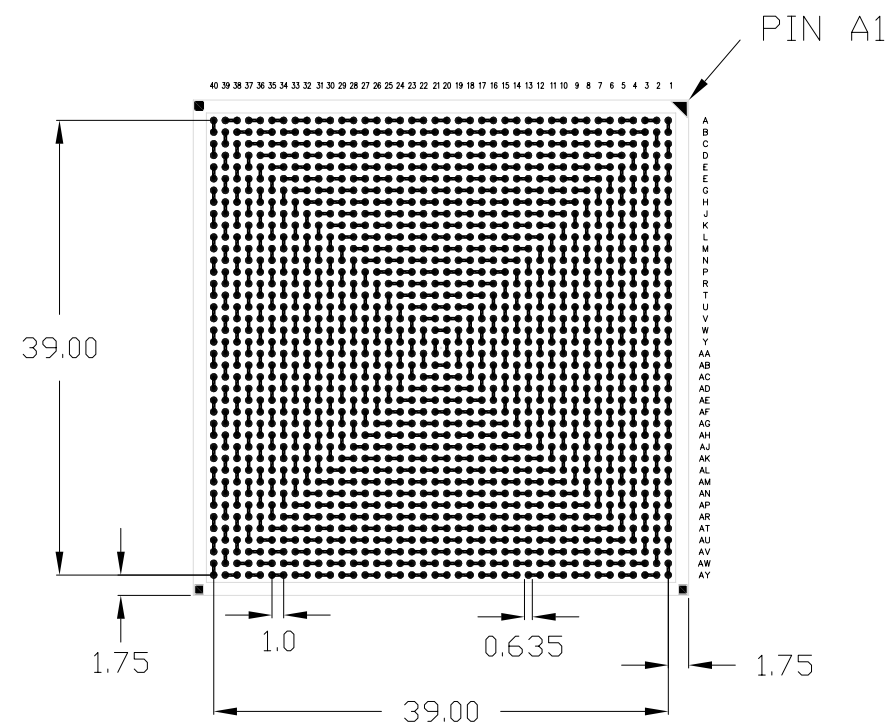


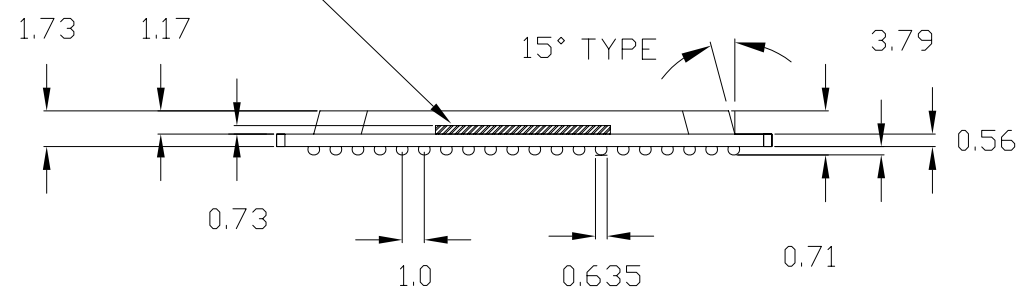
Top View



Ball View



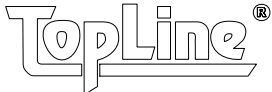
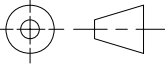
Optional Dummy Die

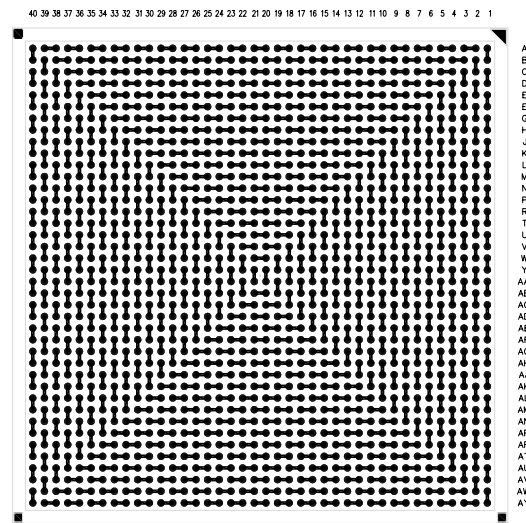


Notes: (Unless Otherwise Specified)

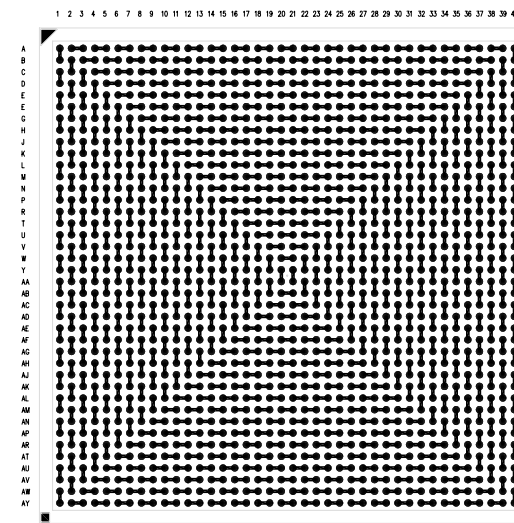
1. ALL DIMENSIONS ARE IN mm.
2. SOLDE BALL ALLOY:
TiIN LEAD: Sn63/Pb37.
RoHS LEAD FREE: SAC305 (Sn96.5/Ag3.0/Cu0.5).
ADDITIONAL BALL ALLOY AVAILABLE.
3. BALL DIAMETER (BEFORE REFLOW): 0.635 mm.
4. SOLDERMASK DEFINE PAD OPENNING: 0.50 mm.
5. PAD Cu DIAMETER: 0.635 mm.
6. SUBSTRATE MATERIAL: FR4 (ALTERNATE BT).
7. DUMMY DIE IS OPTIONAL.
8. SEE DAISY CHAIN PATTERN.

Part Number	Ball Alloy	Pb-Free	RoHS	Si Die
BGA1600T1.0C-DC409	Sn96.5/Ag3.0/Cu0.5	Yes	Yes	No
BGA1600T1.0C-DC409D	Sn96.5/Ag3.0/Cu0.5	Yes	Yes	Yes
BGA1600T1.0-DC409	Sn63/Pb37	No	No	No
BGA1600T1.0-DC409	Sn63/Pb37	No	No	Yes

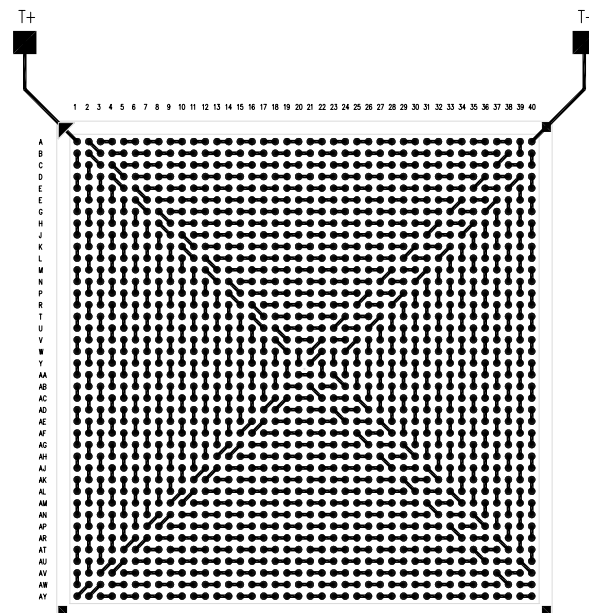
TOLERANCES UNLESS NOTED:		APPROVALS	DATE	 TITLE (P)BGA1600T1.0-DC409 DAISY CHAIN DUMMY			
X.XX	± 0.3						
X.XXX	± 0.03	DRAWN MH	01/24/12	SCALE NONE SIZE A DRAWING NO. 514094 REV A			
X.XXXX	± 0.003						
ANGLES	± 0.5°	ENG		DO NOT SCALE DRAWING SHEET 1 OF 5			
ALL DIMENSIONS ARE IN: <input type="checkbox"/> INCHES <input checked="" type="checkbox"/> MILLIMETERS		MFG					
THIRD ANGLE PROJECTION: 		QA					
		CUST					
		REVISED					



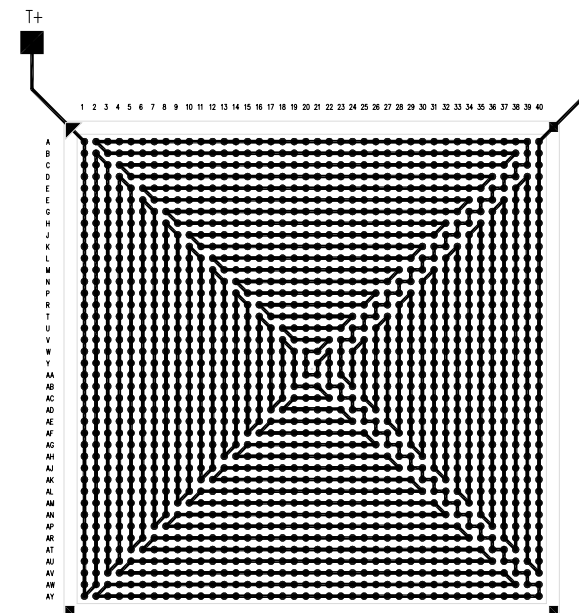
Ball View



Ball Side (X-Ray View)



Test Vehicle Board



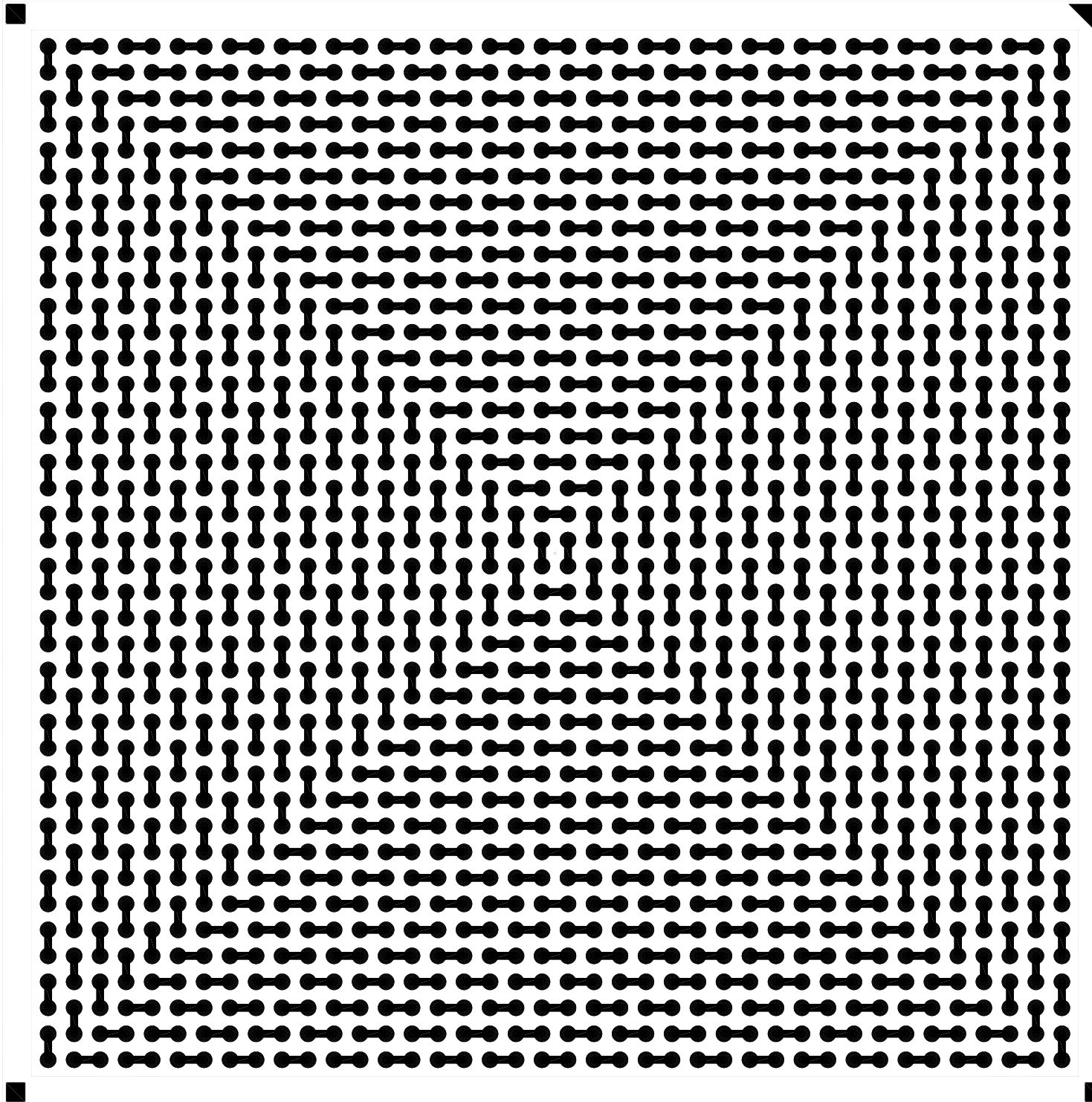
After Mounting To Test Board

Notes:

1. PCB BOARD DIMENSIONS ARE PRESENTED ONLY AS A GUIDELINE. DESIGNER SHOULD USE THEIR OWN EXPERIENCE WHEN DESIGNING PCB.
2. PCB Cu BALL PAD DIAMETER: 0.635mm (25mil).
3. DAISY cCHAIN TRACING LINE WIDTH 0.20mm (8mil).
4. SMD (SOLDER MASK DEFINED) PAD OPENING 0.5mm (19.7mil).

TopLine®			
TITLE (P)BGA1600T1.0-DC409 DAISY CHAIN DUMMY			
SCALE	SIZE	DRAWING NO.	REV
NONE	A	514094	A
DO NOT SCALE DRAWING			SHEET 2 OF 5

40 39 38 37 36 35 34 33 32 31 30 29 28 27 26 25 24 23 22 21 20 19 18 17 16 15 14 13 12 11 10 9 8 7 6 5 4 3 2 1



A
B
C
D
E
E
G
H
J
K
L
M
N
P
R
T
U
V
W
Y
AA
AB
AC
AD
AE
AF
AG
AH
AJ
AK
AL
AM
AN
AP
AR
AT
AU
AV
AW
AY

Ball View

TopLine®

TITLE (P)BGA1600T1.0-DC409
DAISY CHAIN DUMMY

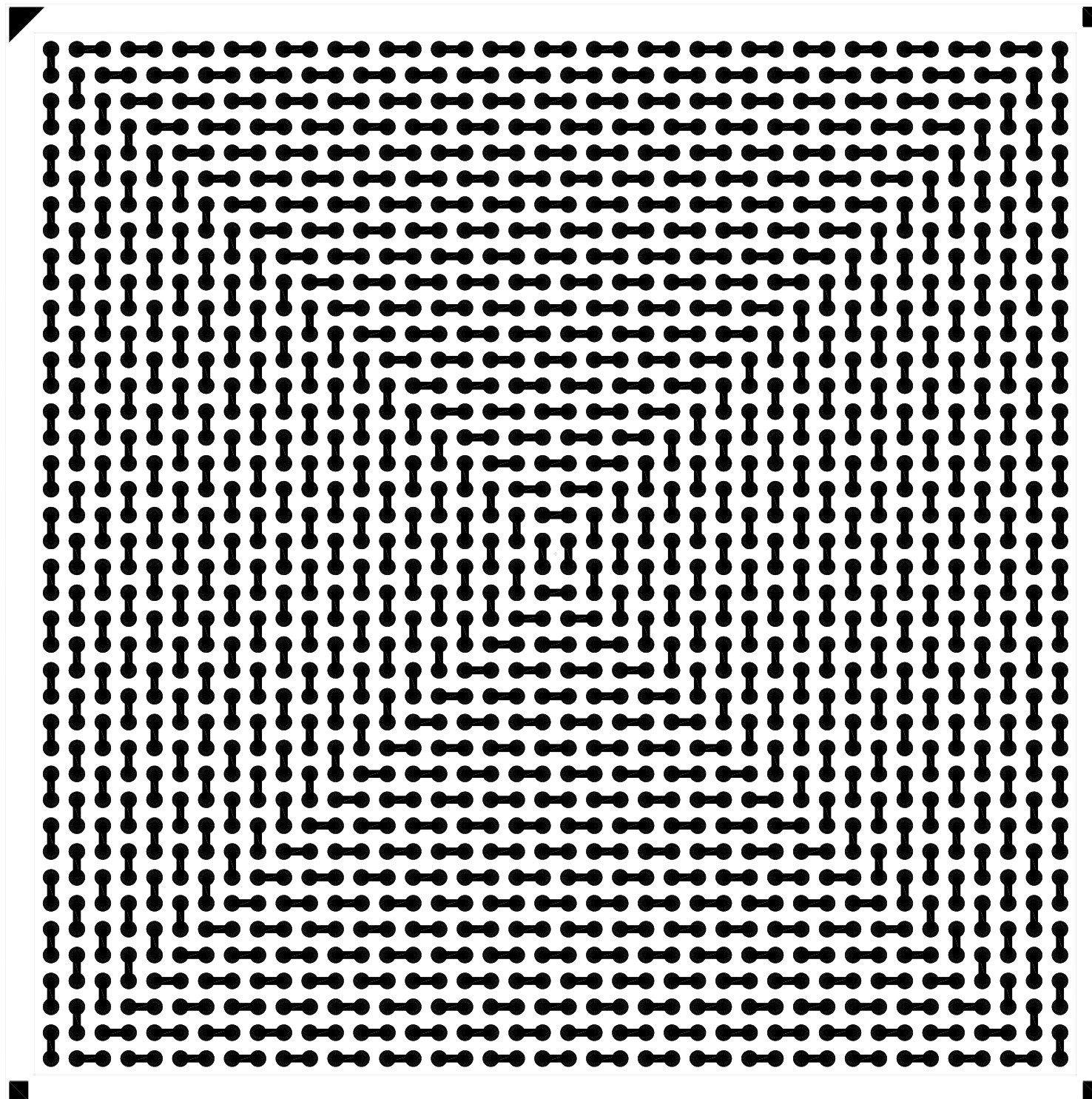
SCALE	SIZE	DRAWING NO.	REV
NONE	A	514094	A

DO NOT SCALE DRAWING

SHEET 3 OF 5

1 2 3 4 5 6 7 8 9 10 11 12 13 14 15 16 17 18 19 20 21 22 23 24 25 26 27 28 29 30 31 32 33 34 35 36 37 38 39 40

A
B
C
D
E
E
G
H
J
K
L
M
N
P
R
T
U
V
W
Y
AA
AB
AC
AD
AE
AF
AG
AH
AJ
AK
AL
AM
AN
AP
AR
AT
AU
AV
AW
AY



Ball Side (X-Ray View)

TopLine®

TITLE (P)BGA1600T1.0-DC409
DAISY CHAIN DUMMY

SCALE	SIZE	DRAWING NO.	REV
NONE	A	514094	A

DO NOT SCALE DRAWING

SHEET 4 OF 5

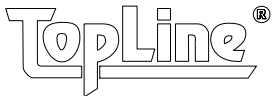
TOP MARKING



Non-RoHS
WITH DUMMY DIE



RoHS (Pb-Free)
WITH DUMMY DIE

			
TITLE (P)BGA1600T1.0-DC409 DAISY CHAIN DUMMY			
SCALE NONE	SIZE A	DRAWING NO. 514094	REV A
DO NOT SCALE DRAWING			SHEET 5 OF 5