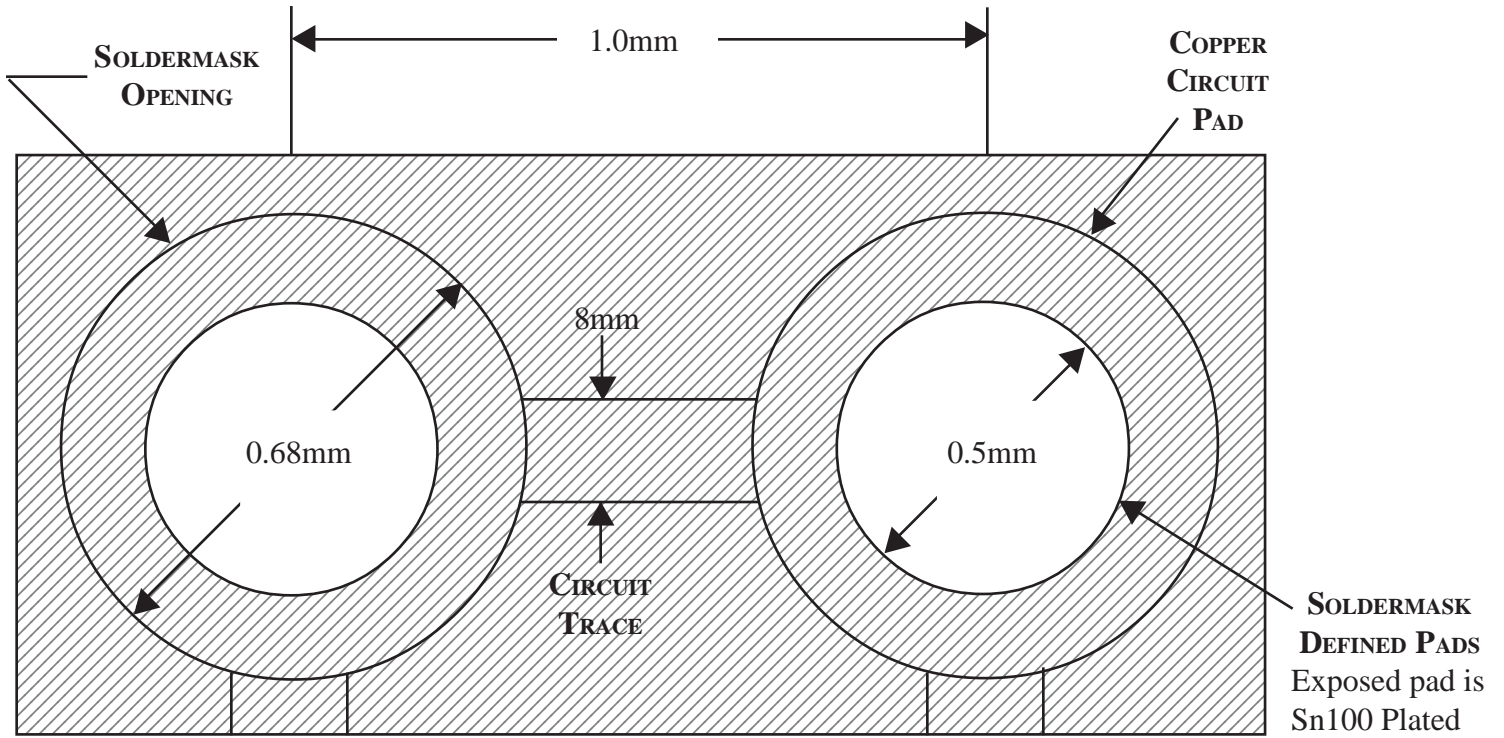
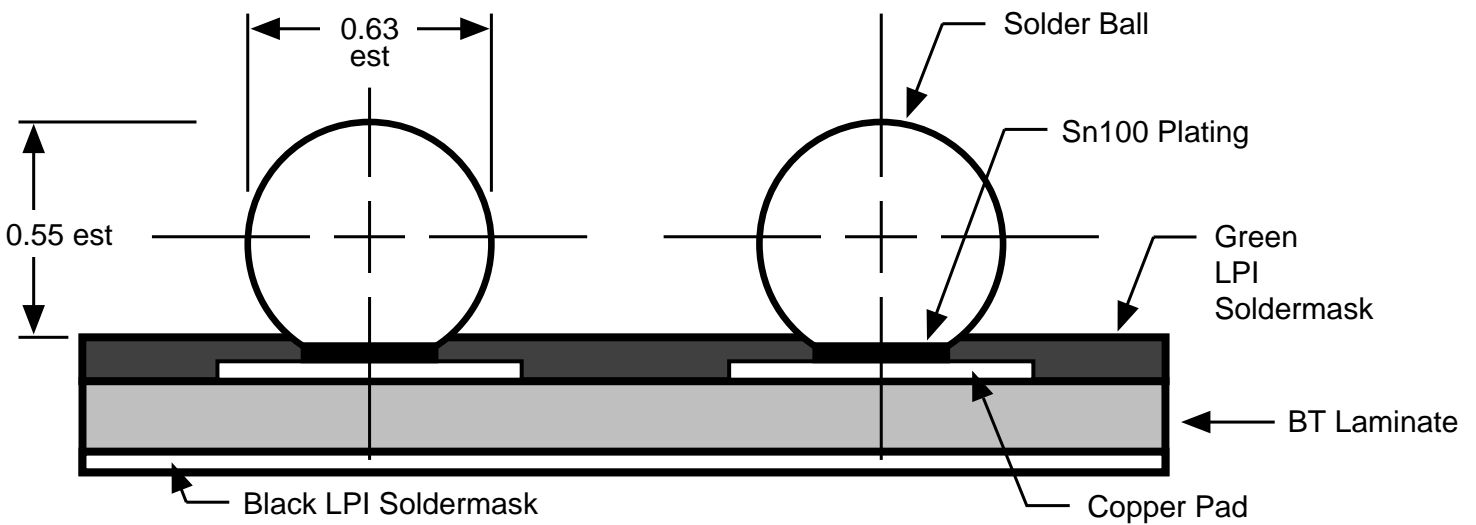


Drawing Not to Scale



**View of Pads
Not to Scale**



**Side View
Not to Scale**