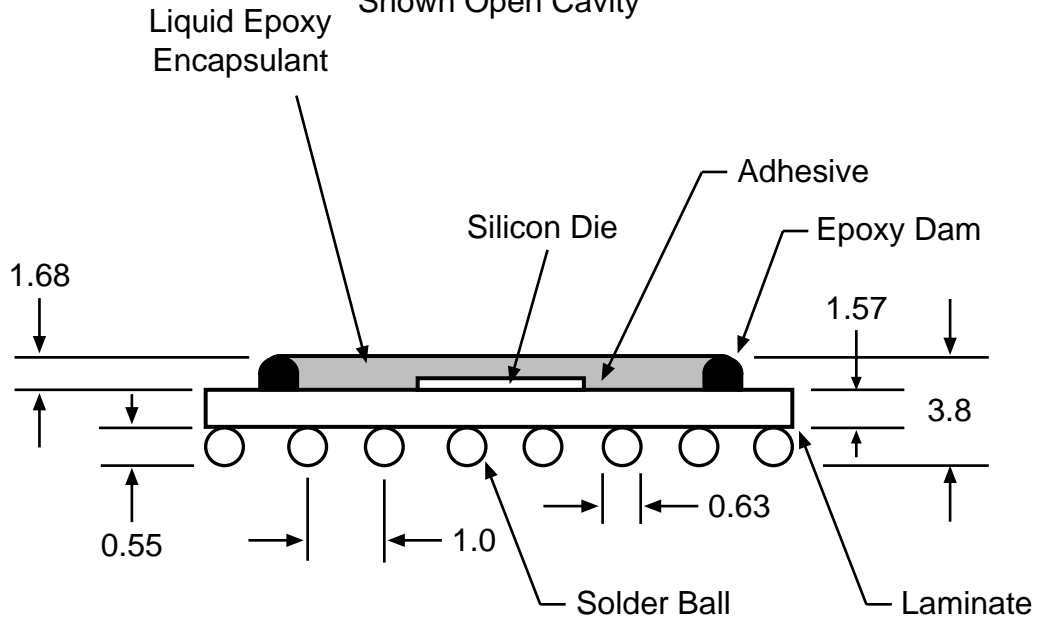
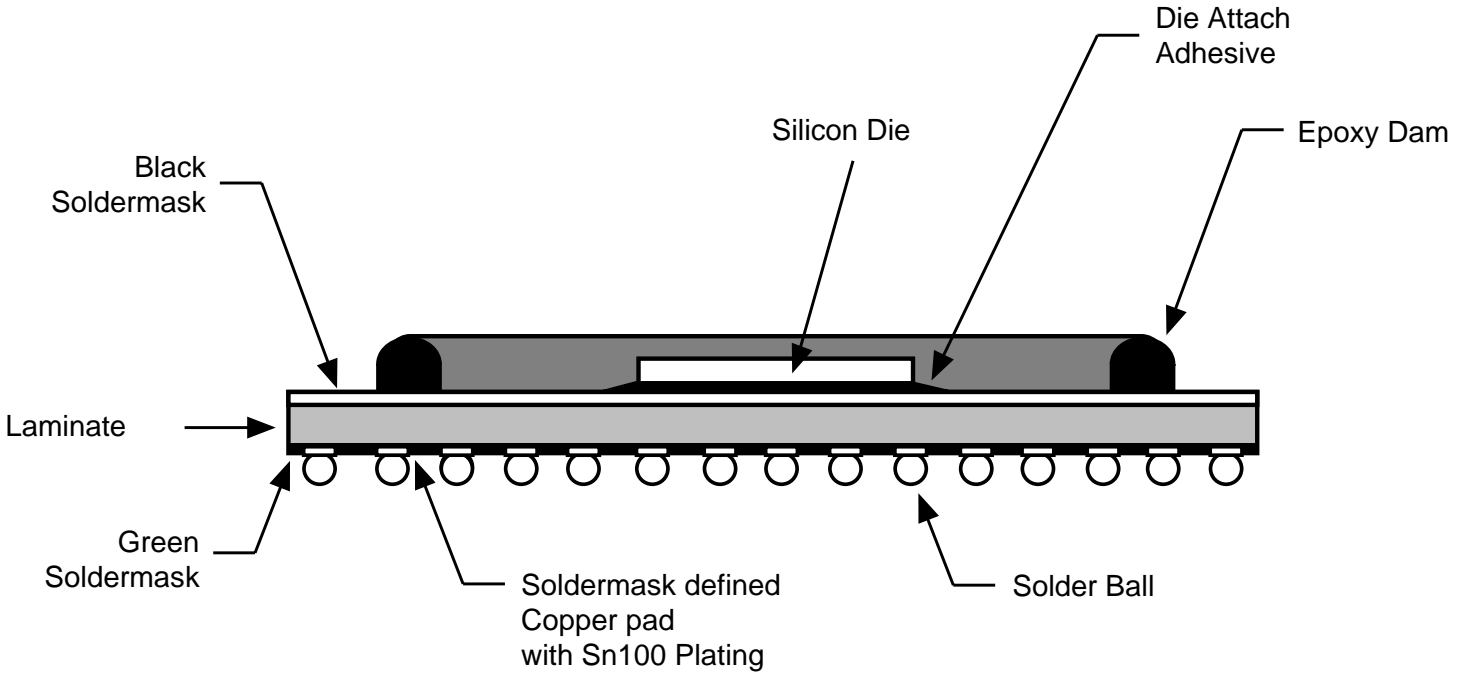


**Top View**  
Shown Open Cavity

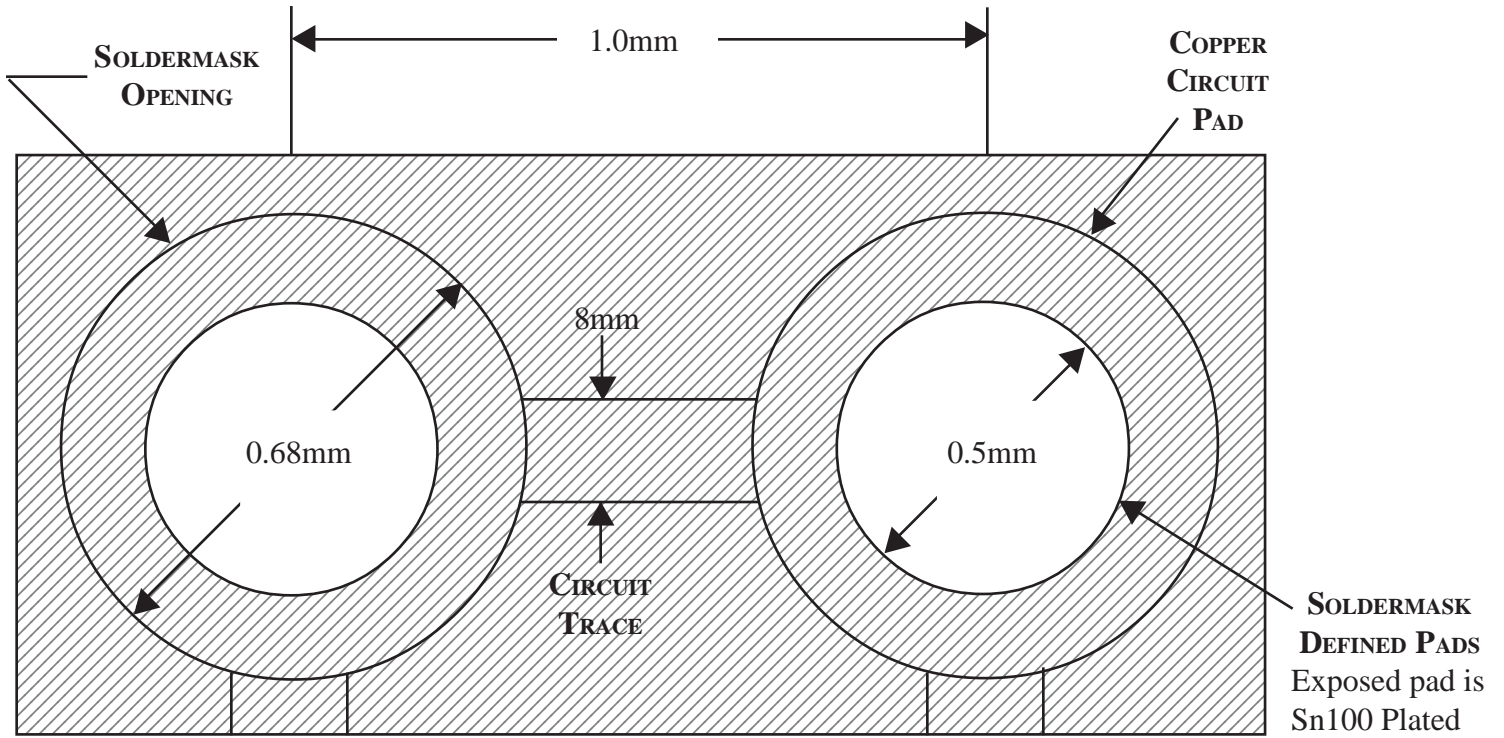


**Side View**

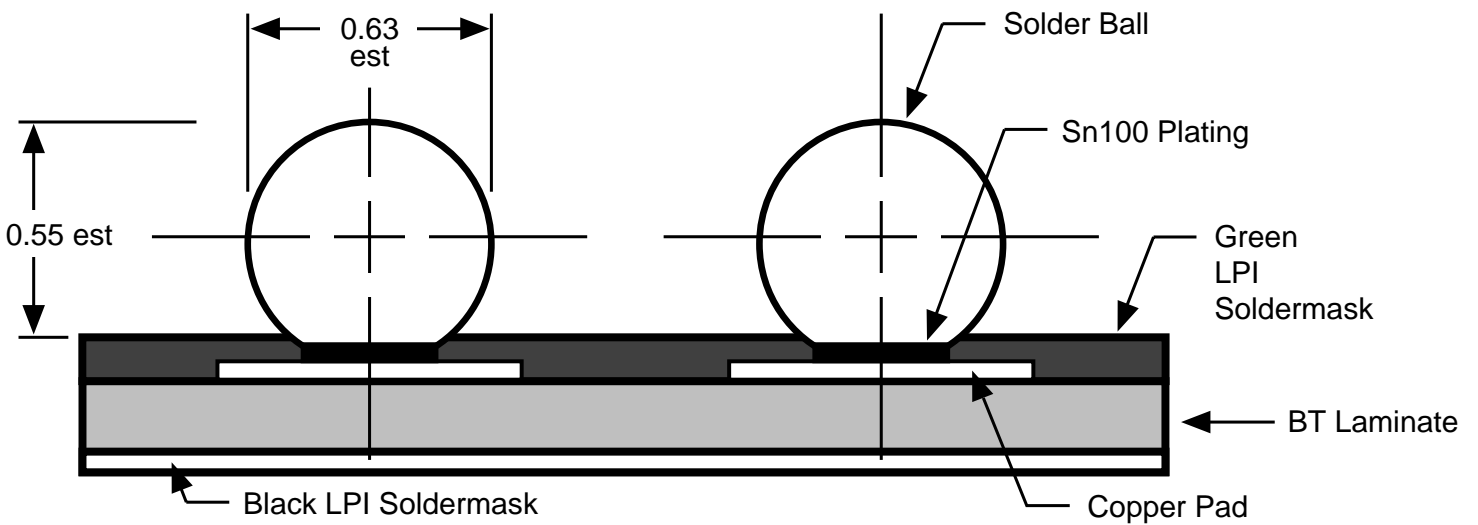
Drawing Not to Scale  
Dimensions = mm



Drawing Not to Scale



**View of Pads  
Not to Scale**



**Side View  
Not to Scale**