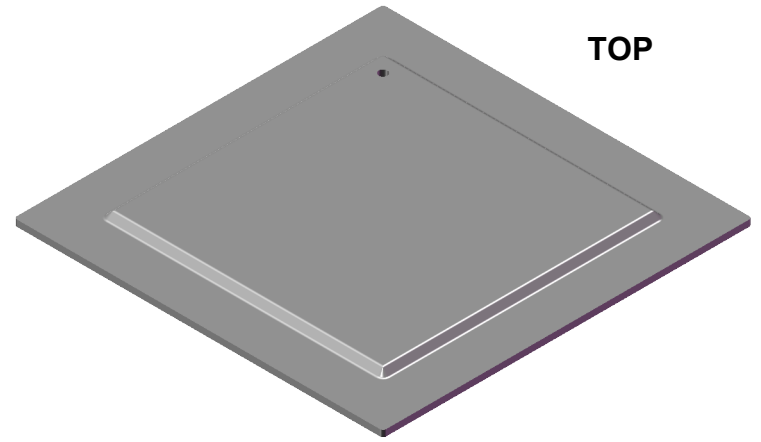
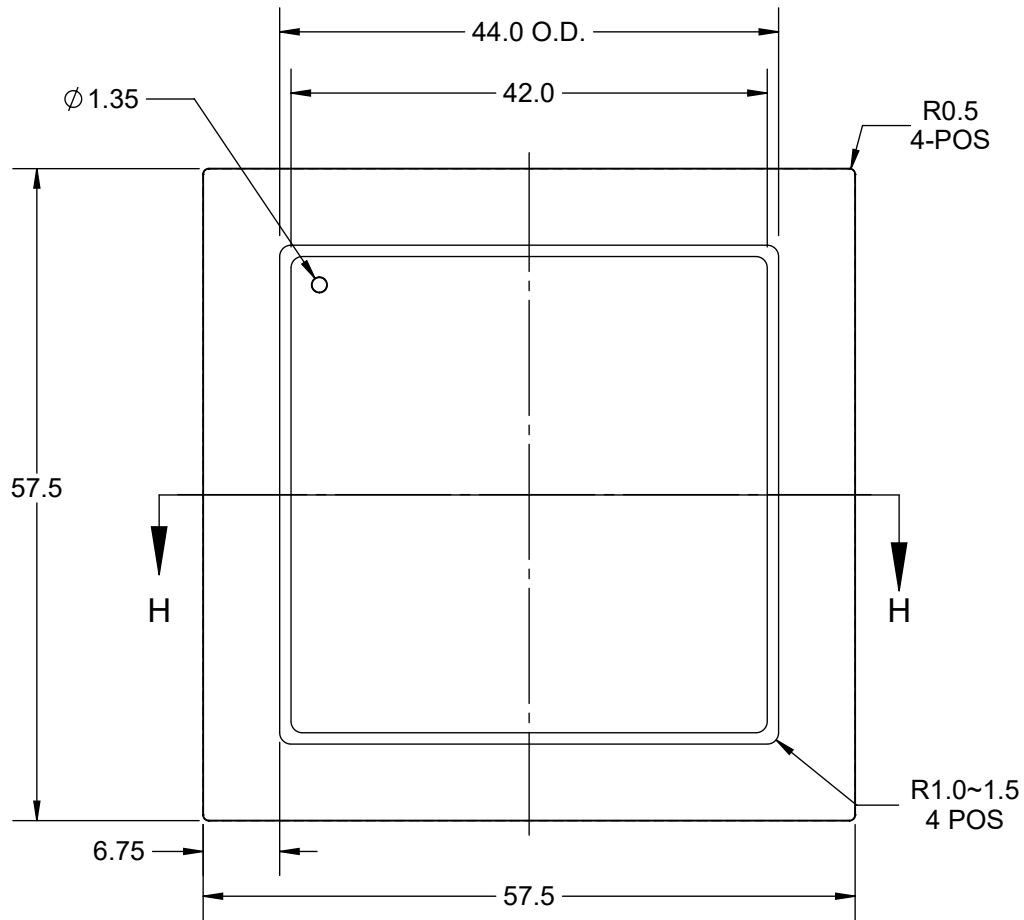
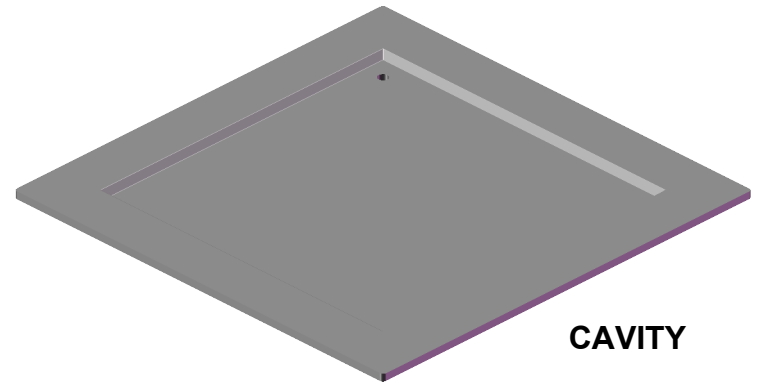


HEAT SPREADER

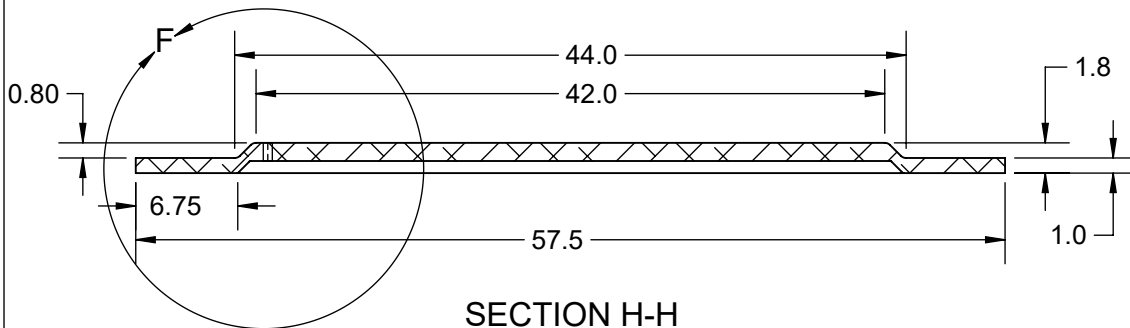
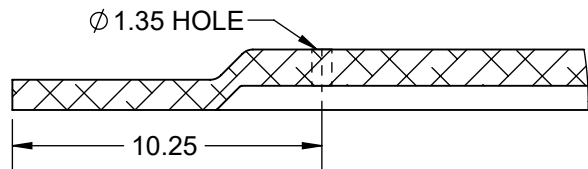


TOP



MODEL

CAVITY



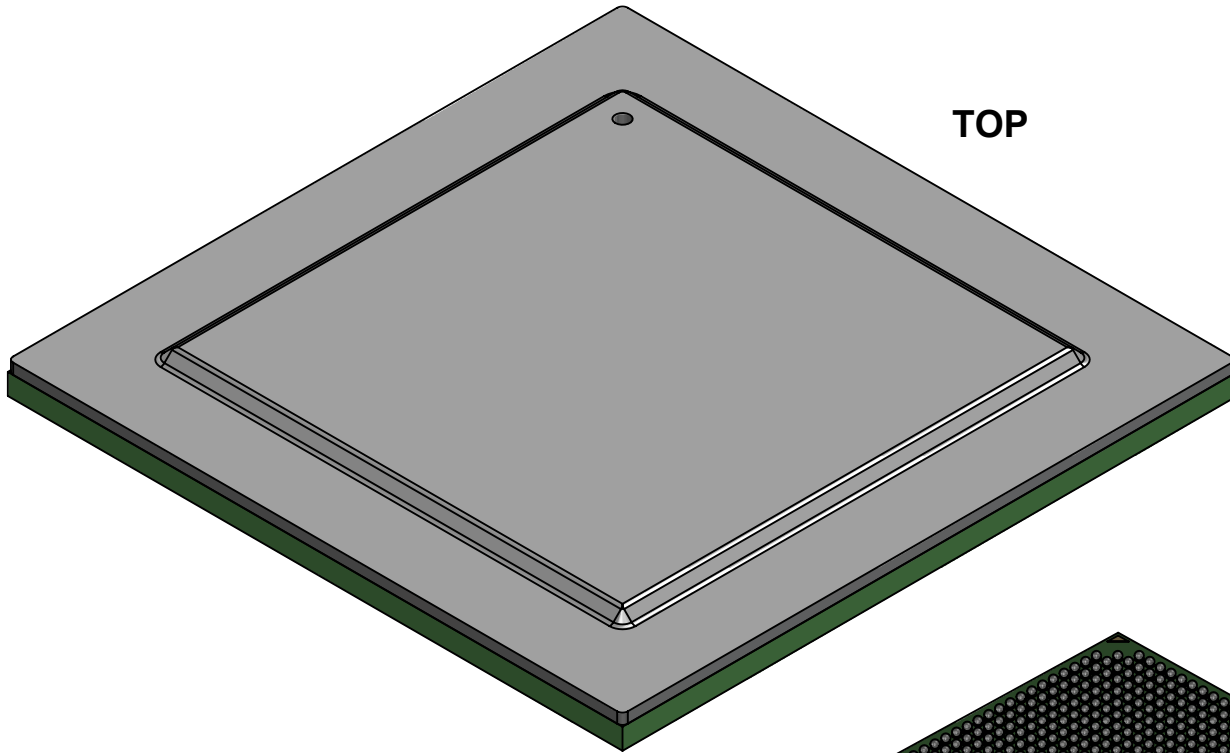
NOTES:

1. DIMENSIONS mm
2. MATERIAL: COPPER ALLOY C1020 OR C1100
HALF HARD, OXYGEN FREE
3. PLATING: NICKEL 5um MIN (SEMI FINISH)
4. PERIMETER EDGE IS UNPLATED.

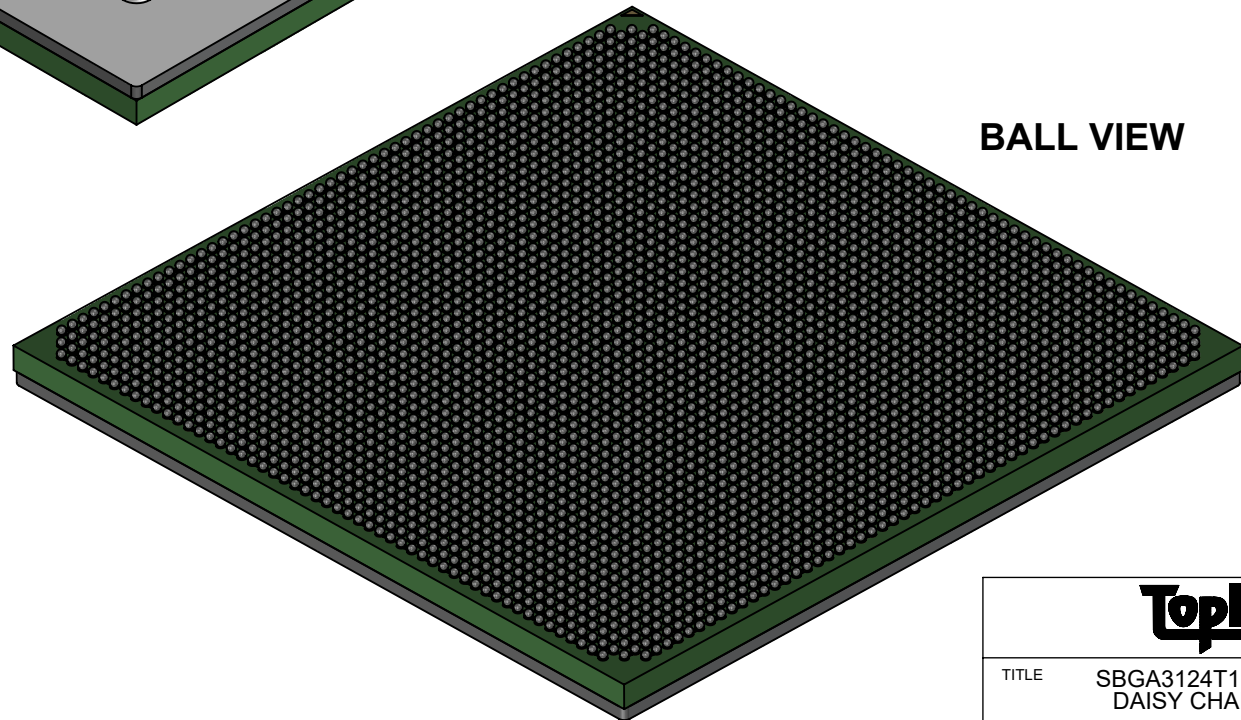
APPROVALS	DATE	TopLine®			
DRAWN T. Au	2/06/2023				
ENG M. Hart	2/06/2023	TITLE H-CAP - 57.5mm HEAT SPREADER			
MFG		SCALE	SIZE	DRAWING NO.	REV
QA		3:1	A	257710	A
CUST		DO NOT SCALE DRAWING			SHEET 4 OF 6
REVISED					

MODEL

TOP



BALL VIEW



TopLine[®]

TITLE SBGA3124T1.0C-DC567D
DAISY CHAIN DUMMY

SCALE 2:1	SIZE A	DRAWING NO. 515675	REV A
--------------	-----------	-----------------------	----------

DO NOT SCALE DRAWING

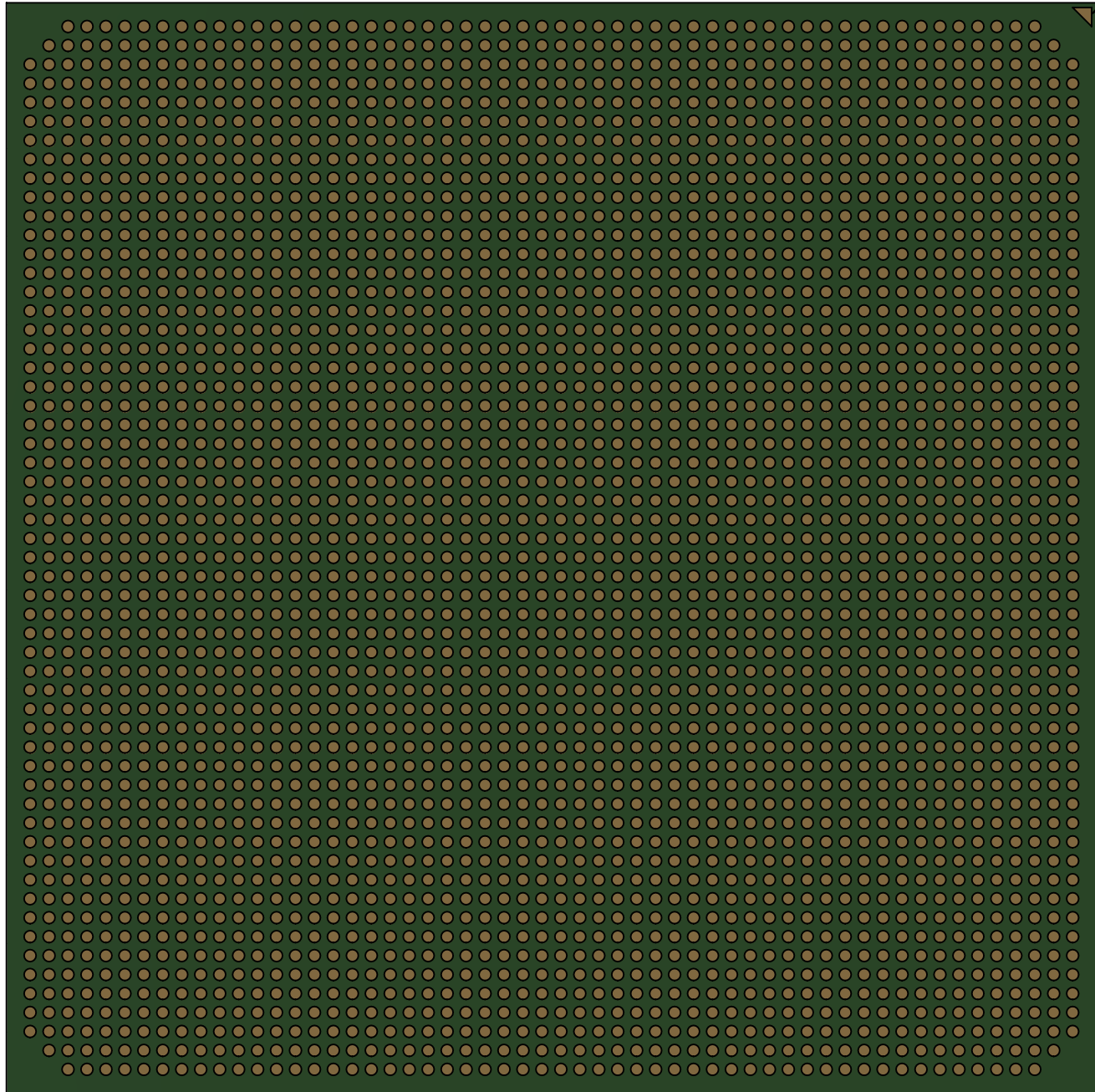
SHEET 5 OF 6

BOTTOM SOLDERMASK (RIGHT READING)

56 54 52 50 48 46 44 42 40 38 36 34 32 30 28 26 24 22 20 18 16 14 12 10 8 6 4 2
55 53 51 49 47 45 43 41 39 37 35 33 31 29 27 25 23 21 19 17 15 13 11 9 7 5 3 1

PIN A1

A
B
C
D
E
F
G
H
J
K
L
M
N
P
R
T
U
V
W
Y
AA
AB
AC
AD
AE
AF
AG
AH
AJ
AK
AL
AM
AN
AP
AR
AT
AU
AV
AW
AY
BA
BB
BC
BD
BE
BF
BG
BH
BJ
BK
BL
BM
BN
BP
BR
BT



TopLine[®]			
TITLE		SBGA3124T1.0C-DC567D DAISY CHAIN DUMMY	
SCALE	SIZE	DRAWING NO.	REV
3:1	A	515675	A
DO NOT SCALE DRAWING			SHEET 6 OF 6