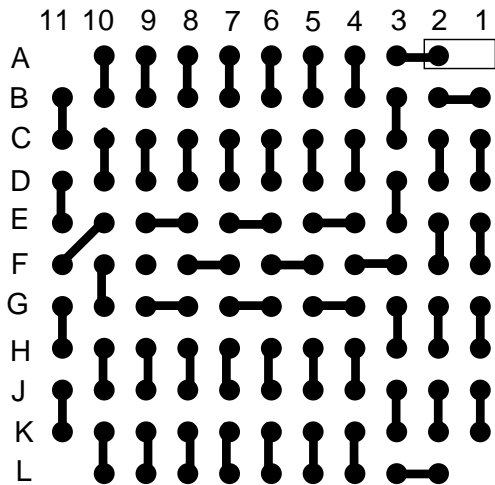


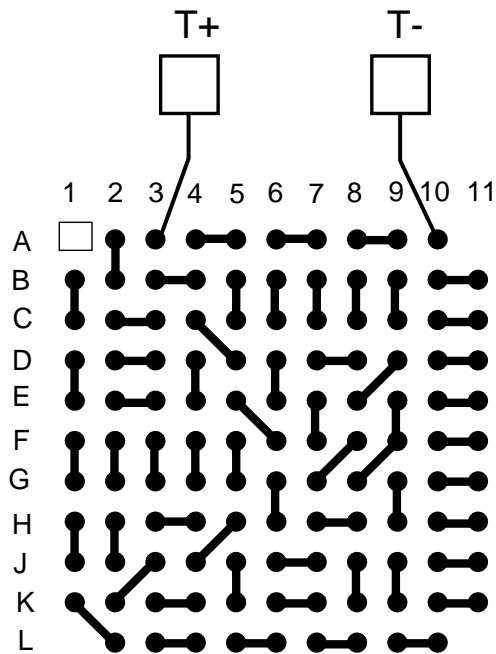
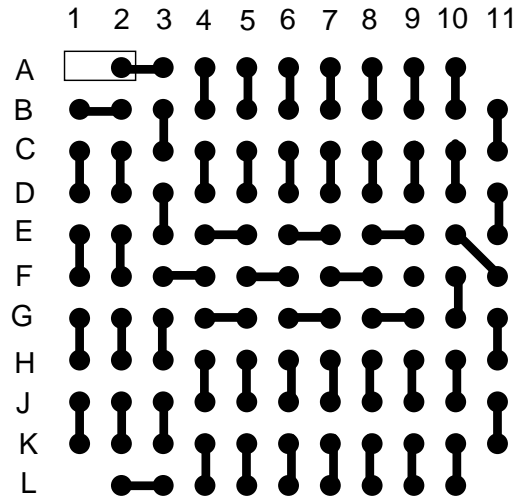
BALLS	PITCH	SIZE	MATRIX	ROWS	CENTER	MAT'L
121	1.5mm	19mm SQ	11 x 11	full	full	BT

BGA121T1.5-DC5

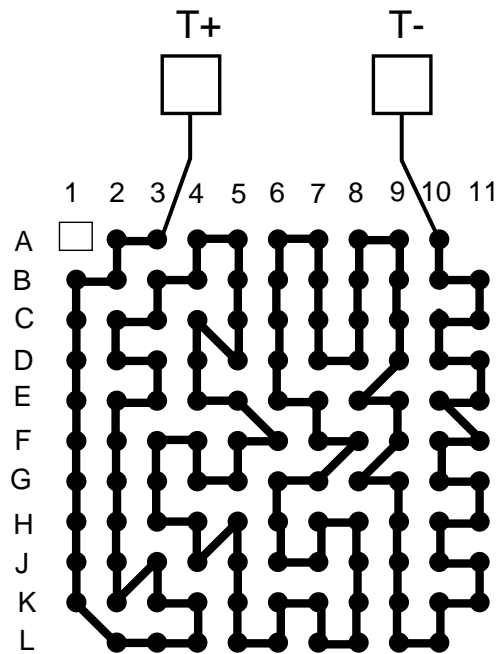
BALL VIEW



BOTTOM SIDE (TOP X-RAY VIEW)



TEST VEHICLE BOARD



AFTER MOUNTING TO TEST BOARD

BGA121T1.5-DC5

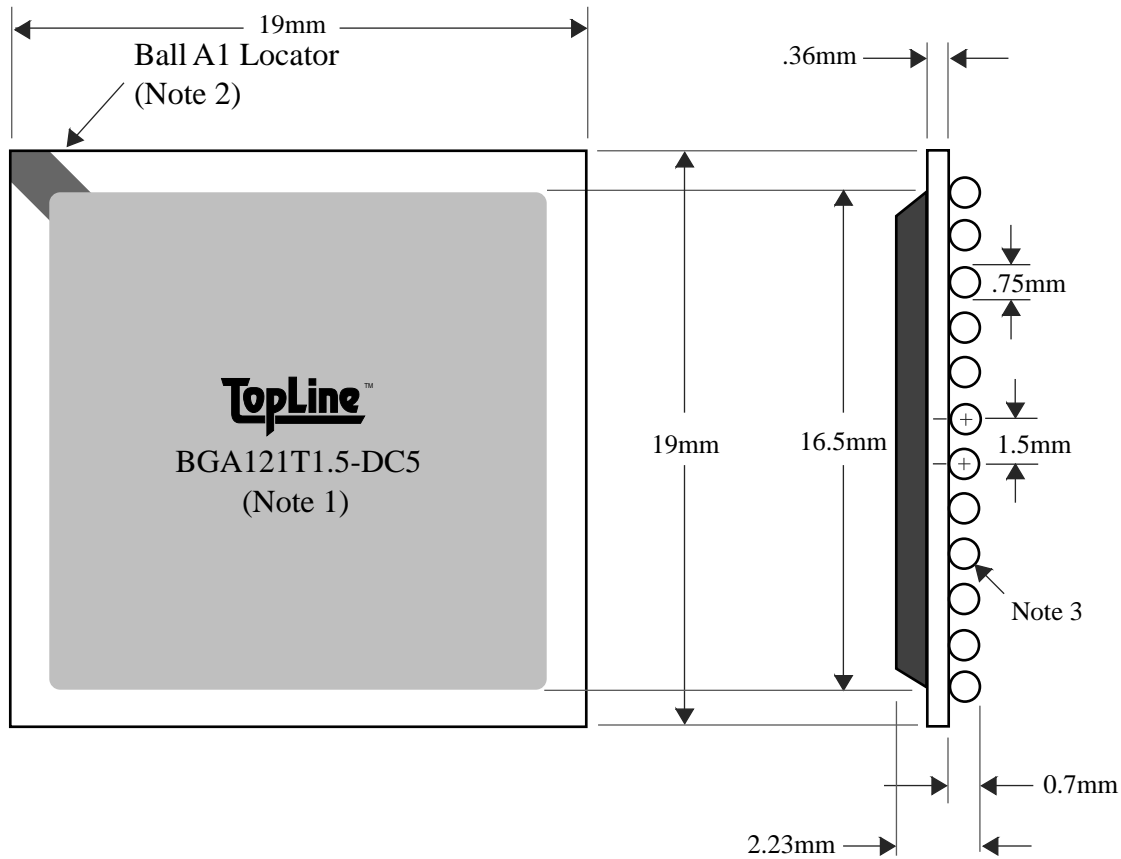


TEL 1-714-898-3830
info@toplinedummy.com

BALLS	PITCH	SIZE	MATRIX	ROWS	CENTER	MAT'L
121	1.5mm	19mm SQ	11 x 11	full	full	BT

TOP VIEW

SIDE VIEW



NOTES		REVISIONS	
Note 1	Logo and part number centered White ink or laser marked	Rev	Date Changes
Note 2	Ball A1 locator mark positioned in corner	Daisy Chain Pattern is obsolete	
Note 3	Ball Material: 63/37 SnPb	PACKAGING TRAYS	
Note 4	Substrate Material: BT laminate	Tray BGATRAY19mm-6x14 Tray Quantity 84	