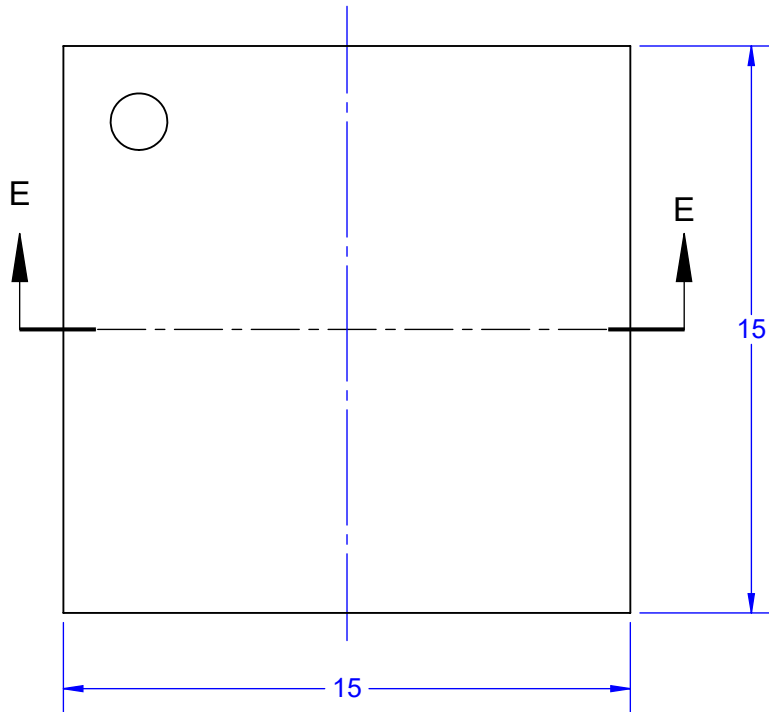
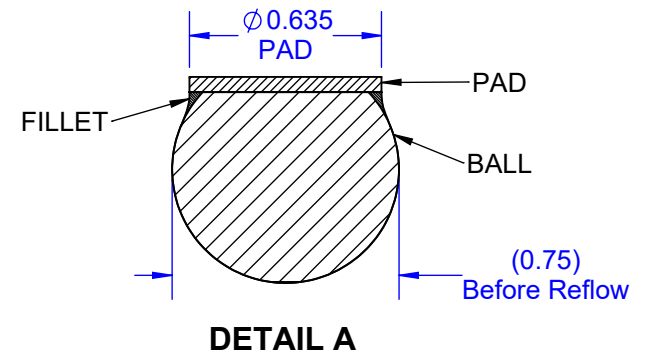
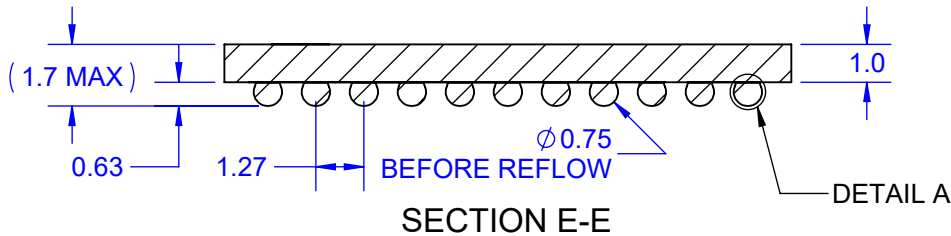
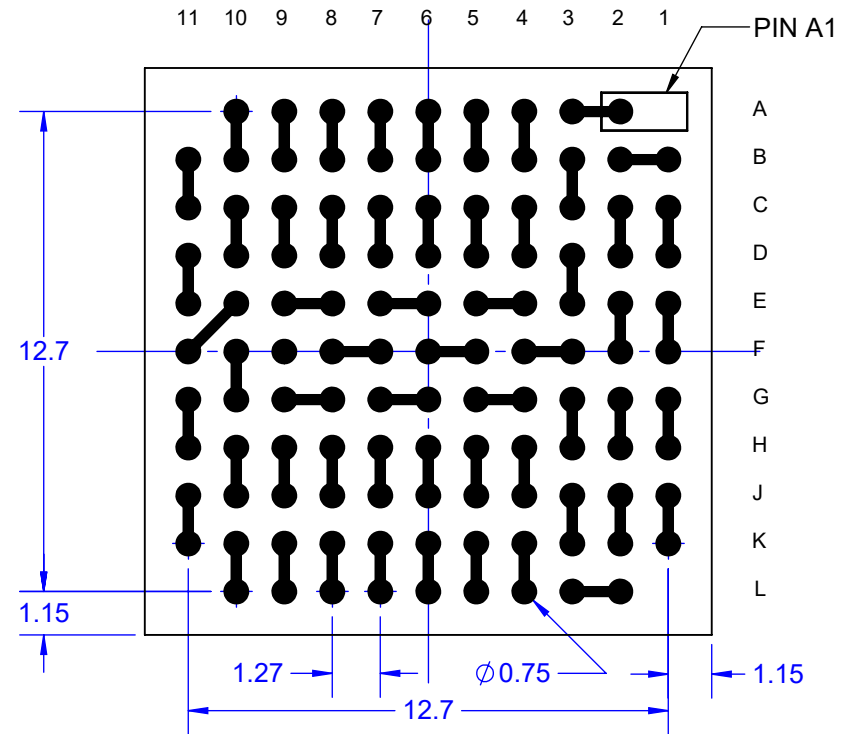


TOP VIEW



CBGA WITHOUT DIE

BALL VIEW

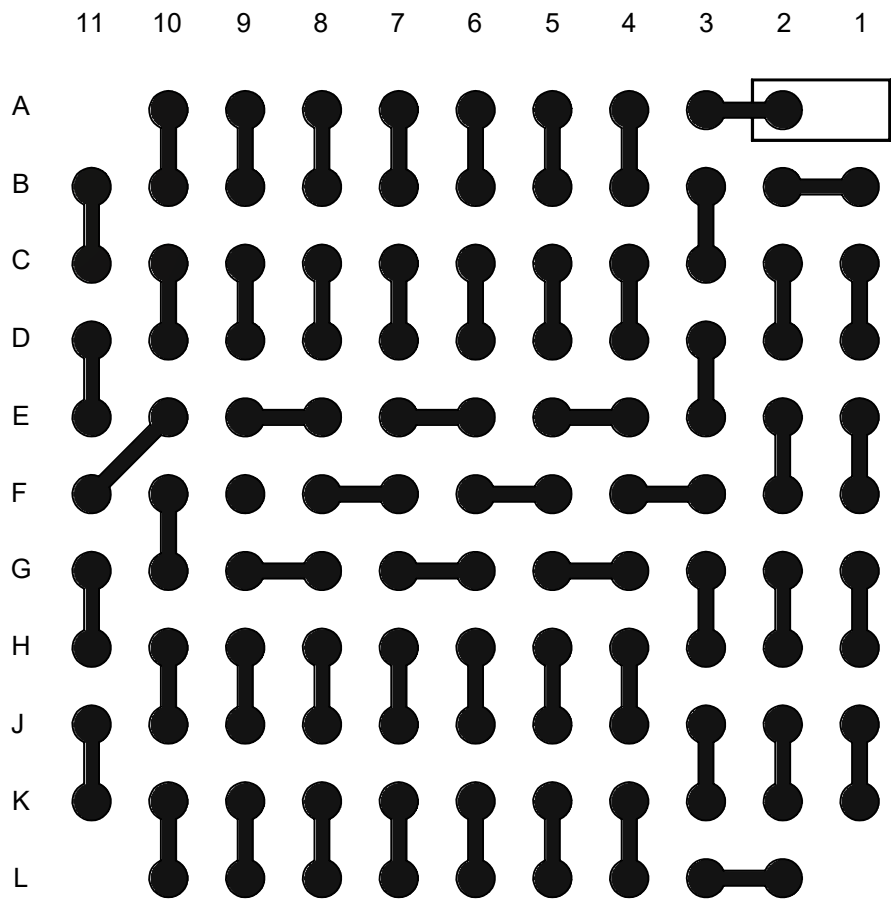


Notes: (Unless Otherwise Specified).

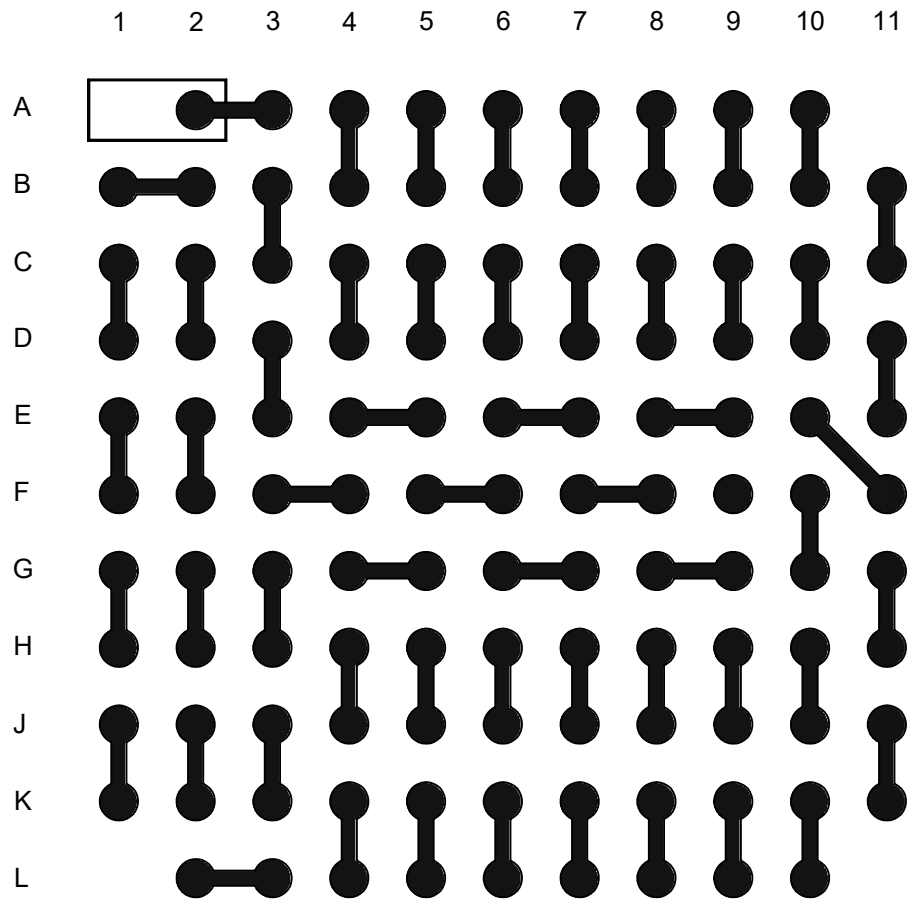
- 1) ALL DIMENSIONS ARE MM.
- 2) SOLDER BALL ALLOY: SEE PART NUMBER CONFIGURATION.
- 3) BALL DIAMETER (BEFORE REFLOW): 0.76mm (30 MIL).
- 4) SOLDER MASK OPENING: 0.635mm (25 MIL).
- 5) SUBSTRATE: ALUMINA CERAMIC.
- 6) CORNER BALLS 4X DEPOPULATED (ACTUAL 117 BALLS)

APPROVALS	DATE	TopLine [®]			
DRAWN T. Au	7/28/2022				
ENG M. Hart	7/28/2022	TITLE CBGA121T1.27C-DC5 CERAMIC BALL GRID ARRAY			
MFG		SCALE	SIZE	DRAWING NO.	REV
QA		6:1	A	520057	A
CUST		DO NOT SCALE DRAWING			SHEET 1 OF 4
REVISED					

BALL VIEW

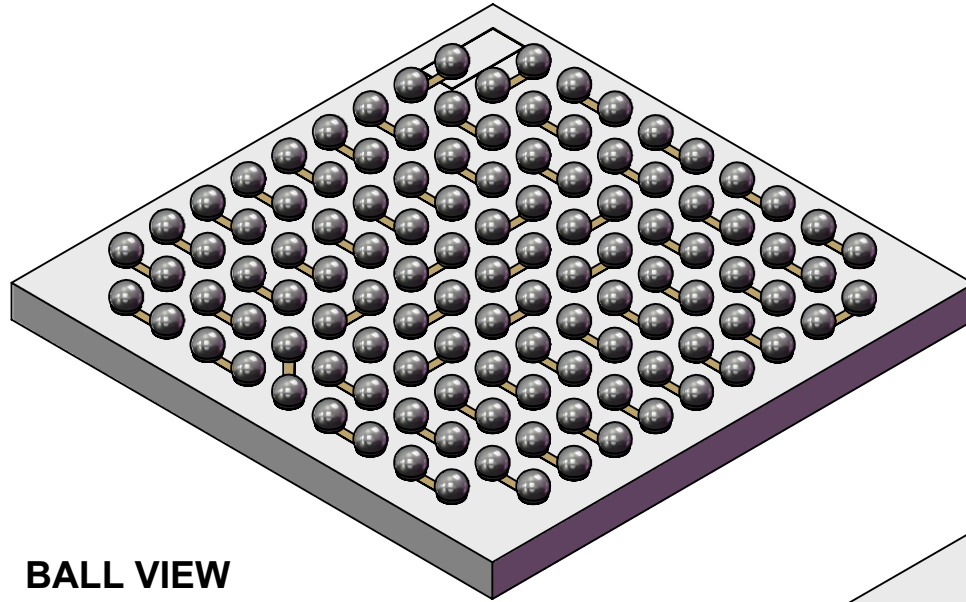


BOTTOM SIDE (TOP X-RAY VIEW)

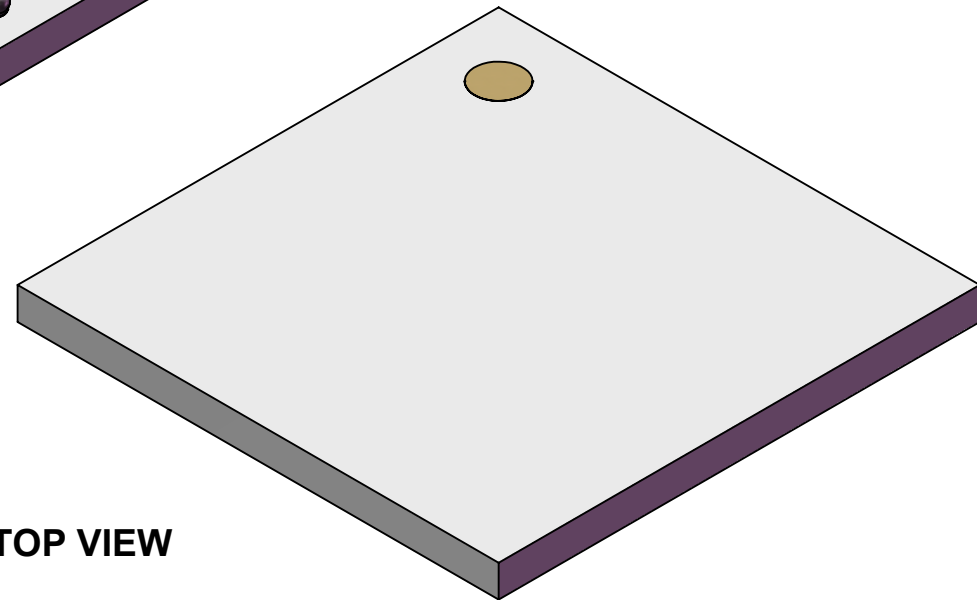


TopLine[®]			
TITLE CBGA121T1.27C-DC5 CERAMIC BALL GRID ARRAY			
SCALE	SIZE	DRAWING NO.	REV
8:1	A	520057	A
DO NOT SCALE DRAWING			SHEET 2 OF 4

**MODEL
CBGA WITH BALL
WITHOUT DIE**



BALL VIEW



TOP VIEW

TopLine®

TITLE CBGA121T1.27C-DC5
CERAMIC BALL GRID ARRAY

SCALE 6:1	SIZE A	DRAWING NO. 520057	REV A
--------------	-----------	-----------------------	----------

DO NOT SCALE DRAWING

SHEET 3 OF 4

PART NUMBER SYSTEM

CBGA

121

T

1.27

C

-

DC5

SERIES

CBGA = CERAMIC
BALL GRID ARRAY

BALLS *

NBR SOLDER
BALLS

TRAY

T = JEDEC

PITCH

1.27mm = 0.050"

ALLOY

L = Sn62/Pb36/Ag2.0
X = Sn63/Pb37
C = SAC305
Blank = Sn10/Pb90

DIE

D = DUMMY DIE
BLANK = WITHOUT DIE

* NOTE:
4X CORNER BALLS DEPOPULATED.
ACTUAL 117 BALLS

DAISY CHAIN

DC5 = SEE PATTERN

PART NUMBER	BALL ALLOY	CODE	LEAD FREE	DIE
CBGA121T1.27-DC5	Sn10/Pb90	Sn10	NO	NO
CBGA121T1.27-DC5D	Sn10/Pb90	Sn10	NO	YES
CBGA121T1.27L-DC5	Sn62/Pb36/Ag2.0	Sn62	NO	NO
CBGA121T1.27L-DC5D	Sn62/Pb36/Ag2.0	Sn62	NO	YES
CBGA121T1.27X-DC5	Sn63/Pb37	Sn63	NO	NO
CBGA121T1.27X-DC5D	Sn63/Pb37	Sn63	NO	YES
CBGA121T1.27C-DC5	Sn96.5/Ag3.0/Cu0.5	SAC305	YES	NO
CBGA121T1.27C-DC5D	Sn96.5/Ag3.0/Cu0.5	SAC305	YES	YES

TopLine[®]			
TITLE CBGA121T1.27C-DC5 CERAMIC BALL GRID ARRAY			
SCALE NONE	SIZE A	DRAWING NO. 520057	REV A
DO NOT SCALE DRAWING		SHEET 4 OF 4	