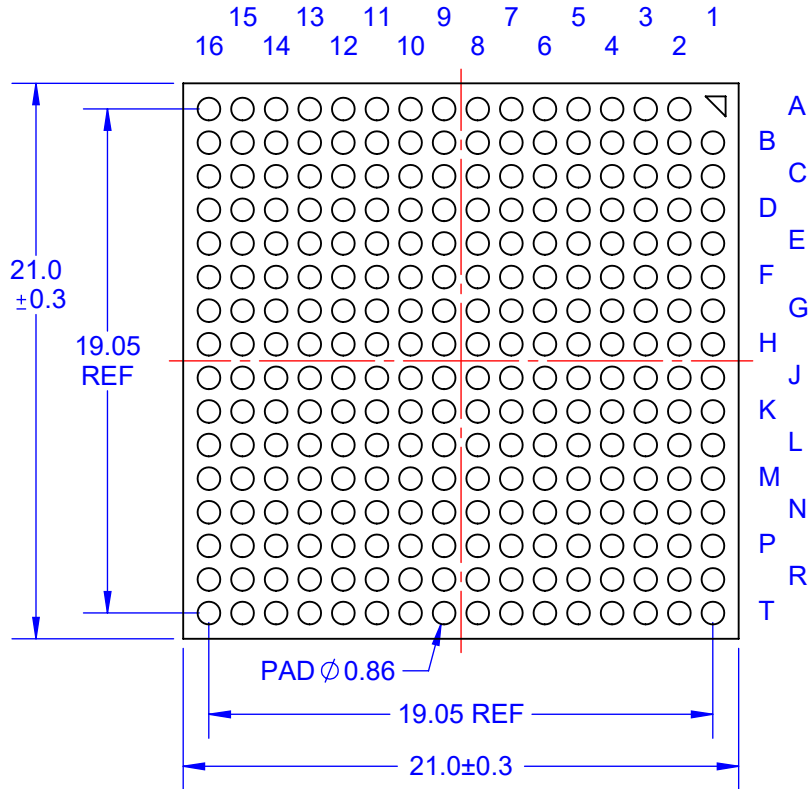
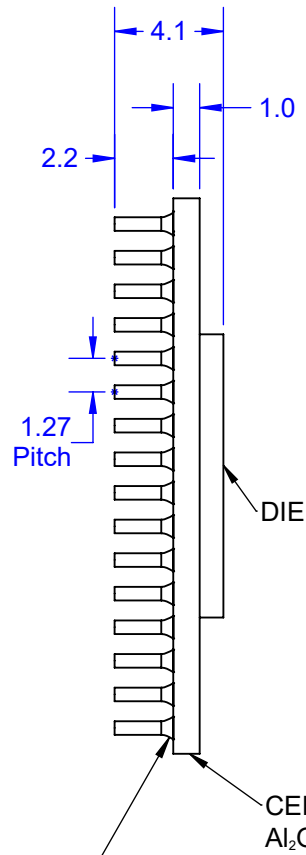


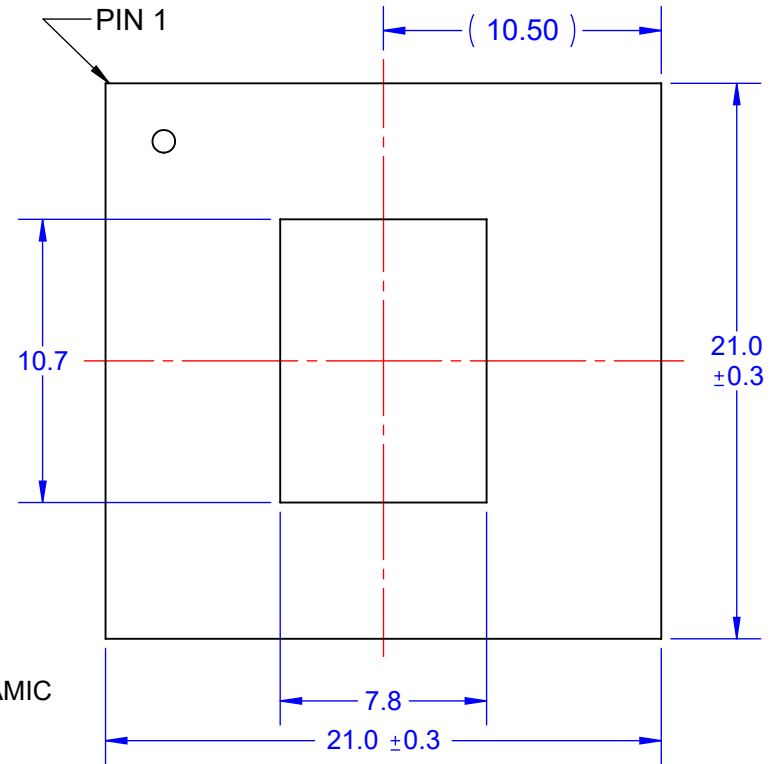
BOTTOM VIEW



Pb90/Sn10
WIRE COLUMNS



TOP VIEW




Notes: (Unless Otherwise Specified)

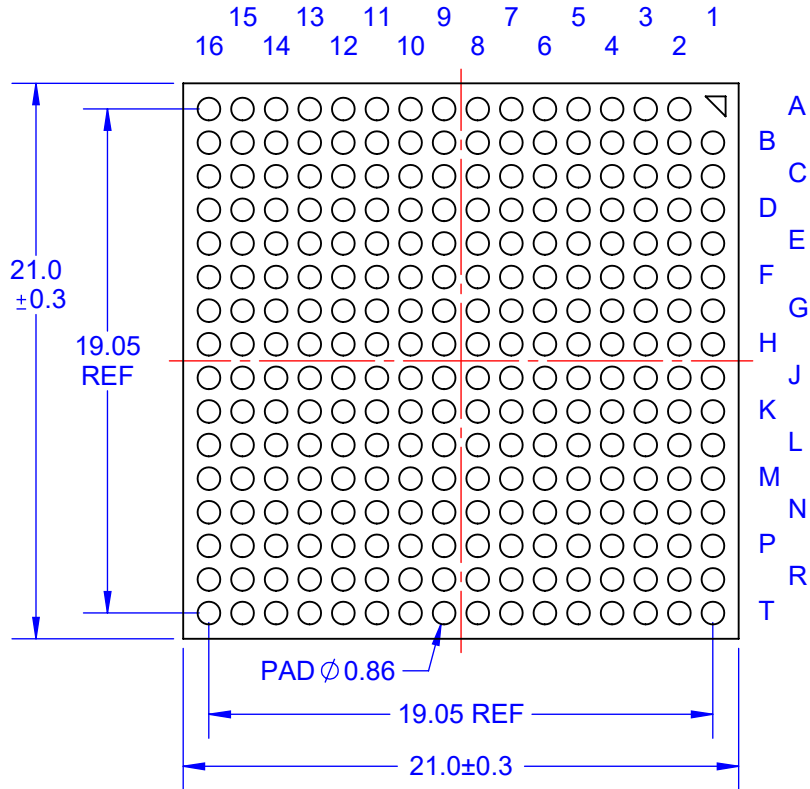
- 1) DIMENSION ARE IN mm.
- 2) SHOWN WITH Pb90/Sn10 Cu PLAIN COLUMNS.
- 3) 255 COLUMNS.
- 4) DIE SIZE 10.7 x 7.8 x 0.9 MM.
- 5) PART NUMBER CCGA255T1.27A-D.

PART NUMBER OPTIONS

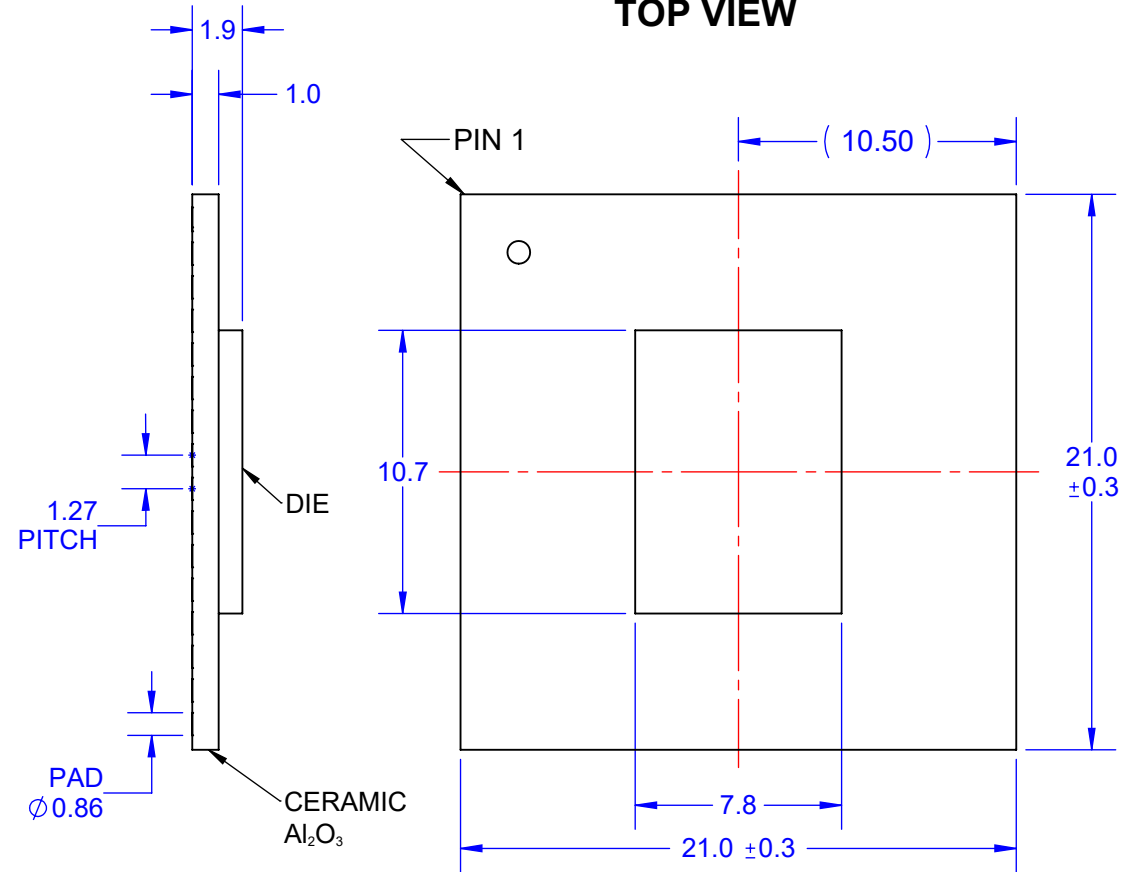
PART NUMBER	DUMMY DIE	SOLDER PIN	HEATSINK
CCGA255T1.27A-D	YES	Pb90/Sn10	NO

APPROVALS	DATE				
DRAWN T.Au	6/20/2021				
ENG M. Hart	6/20/2021	TITLE CCGA255T1.27A-D COLUMN GRID ARRAY			
MFG		SCALE 3.5:1	SIZE A	DRAWING NO. 160032	REV A
QA		DO NOT SCALE DRAWING			SHEET 1 OF 1
CUST					
REVISED					

BOTTOM VIEW



TOP VIEW



Notes: (Unless Otherwise Specified)

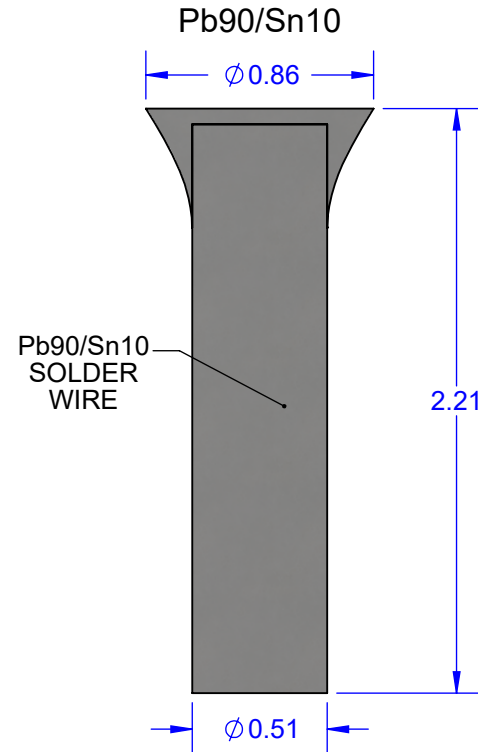
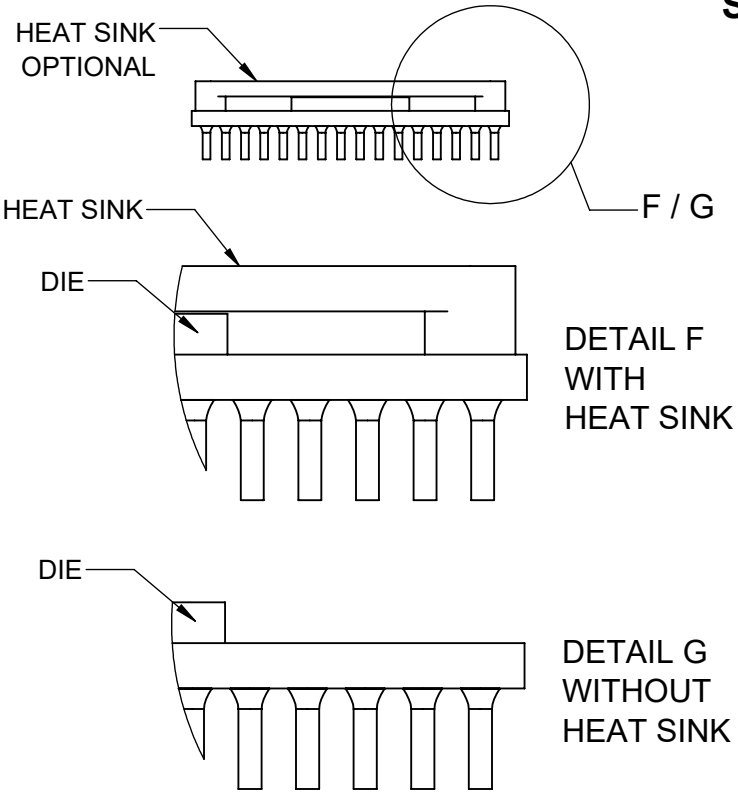
- 1) DIMENSION ARE IN mm.
- 2) SHOWN WITHOUT COLUMNS.
- 3) 255 PADS.
- 4) DIE SIZE 10.7 x 7.8 x 0.9 MM.
- 5) PART NUMBER CLGA255T1.27-D.

PART NUMBER OPTIONS

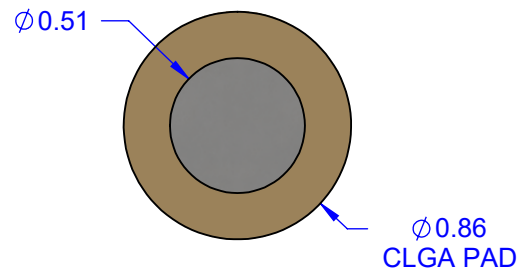
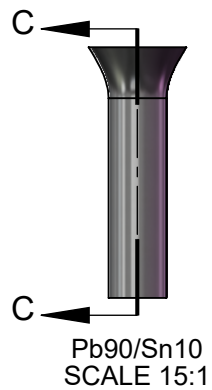
PART NUMBER	DUMMY DIE	SOLDER PIN	HEATSINK
CLGA255T1.27-D	YES	NO	NO

APPROVALS	DATE	TopLine®			
DRAWN T.Au	6/20/2021				
ENG M. Hart	6/20/2021	TITLE CCGA255T1.27A-D COLUMN GRID ARRAY			
MFG		SCALE 3.5:1	SIZE A	DRAWING NO. 160032	REV A
QA		DO NOT SCALE DRAWING			SHEET 2 OF 6
CUST					
REVISED					

SOLDER PIN Pb90/Sn10



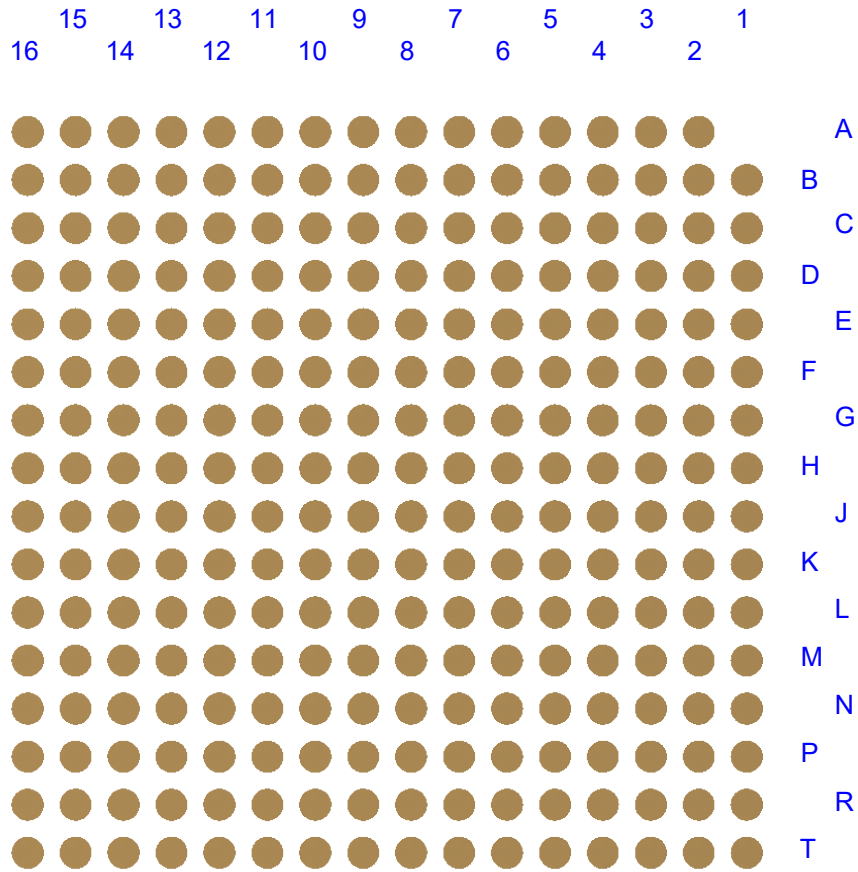
SECTION C-C
SCALE 35 : 1



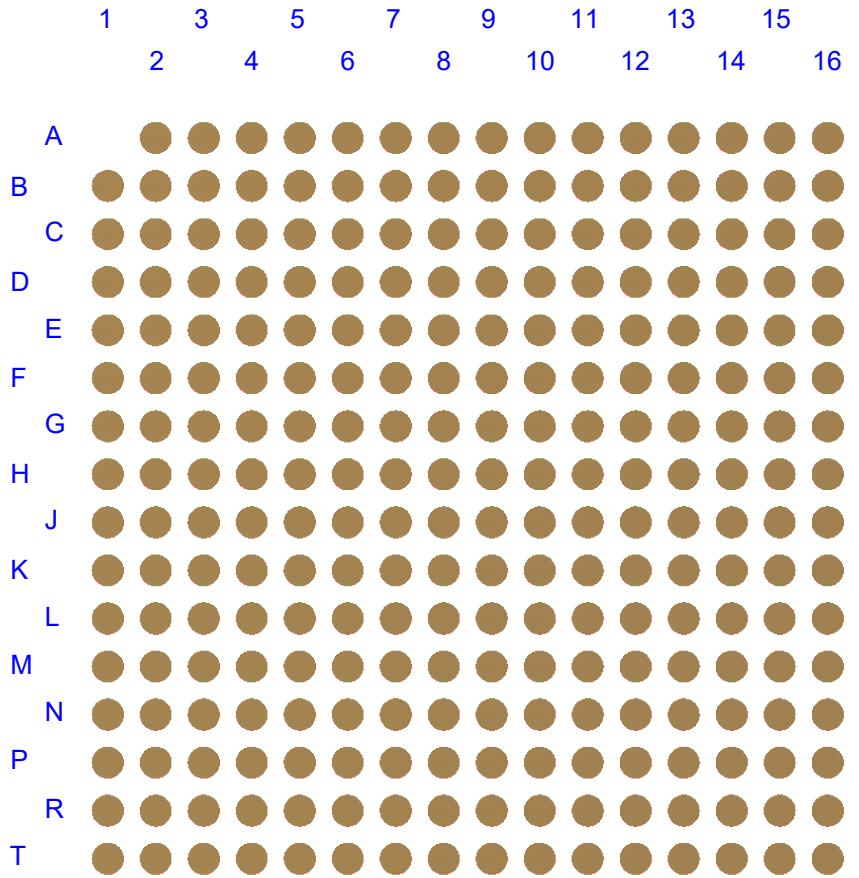
TopLine®			
TITLE CCGA255T1.27A-D COLUMN GRID ARRAY			
SCALE 1.75:1	SIZE A	DRAWING NO. 160032	REV A
DO NOT SCALE DRAWING			SHEET 3 OF 6

PAD PATTERN

COLUMN VIEW



BOTTOM X-RAY VIEWED FROM TOP



TopLine[®]

TITLE CCGA255T1.27A-D
COLUMN GRID ARRAY

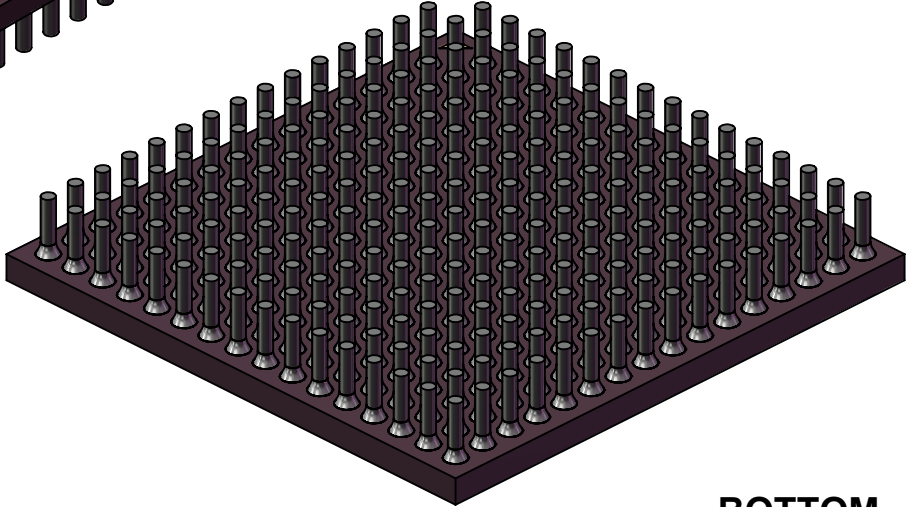
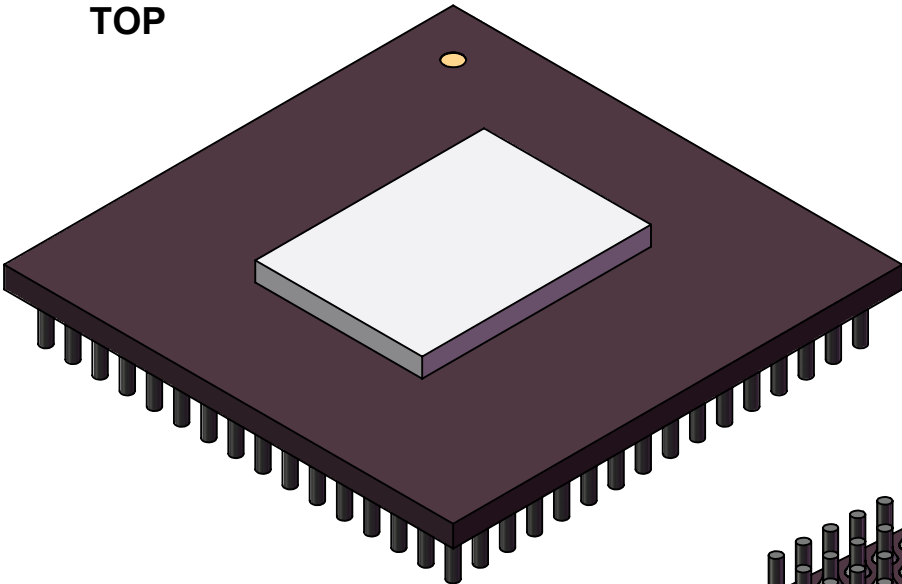
SCALE 2.75:1	SIZE A	DRAWING NO. 160032	REV A
-----------------	-----------	-----------------------	----------

DO NOT SCALE DRAWING

SHEET 4 OF 6

MODEL
WITHOUT HEAT SINK
Pb90/Sn10

TOP



BOTTOM

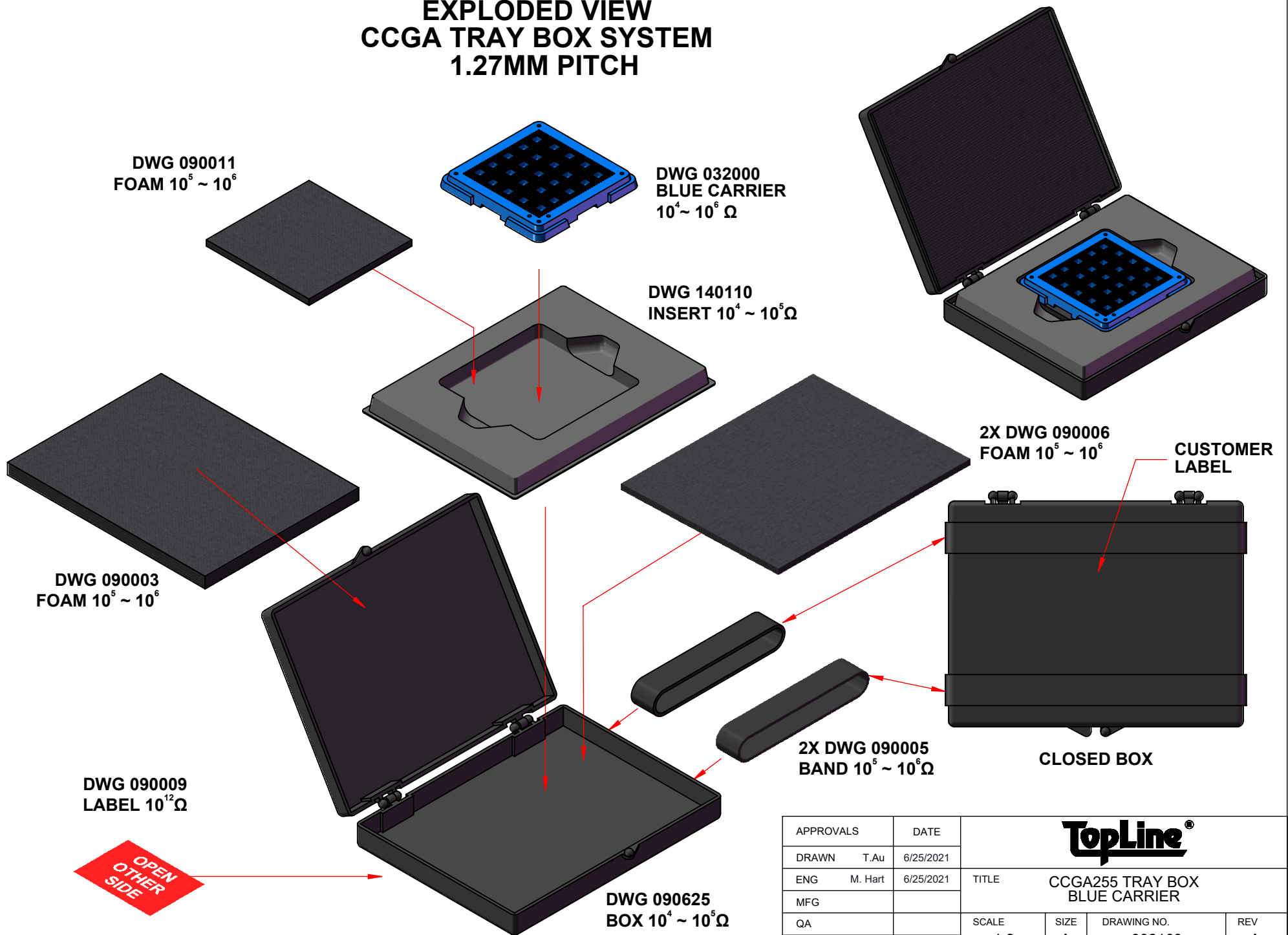
TopLine[®]

TITLE CCGA255T1.27A-D
COLUMN GRID ARRAY

SCALE 2.75:1	SIZE A	DRAWING NO. 160032	REV A
-----------------	-----------	-----------------------	----------

DO NOT SCALE DRAWING SHEET 5 OF 6

EXPLODED VIEW CCGA TRAY BOX SYSTEM 1.27MM PITCH



APPROVALS	DATE	TopLine®			
DRAWN T. Au	6/25/2021				
ENG M. Hart	6/25/2021	TITLE CCGA255 TRAY BOX BLUE CARRIER			
MFG		SCALE	SIZE	DRAWING NO.	REV
QA		1:2	A	932169	A
CUST		DO NOT SCALE DRAWING			SHEET 6 OF 6
REVISED					