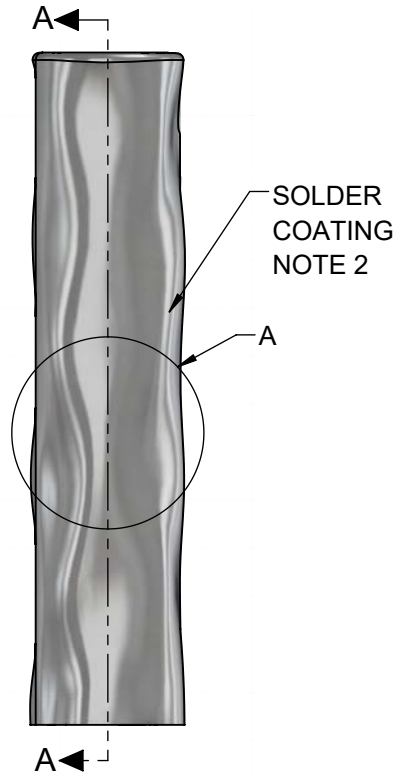


AFTER COATING

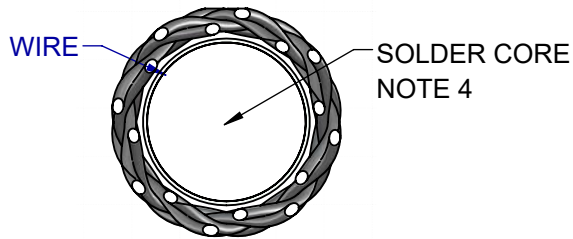


SOLDER COATING
NOTE 2

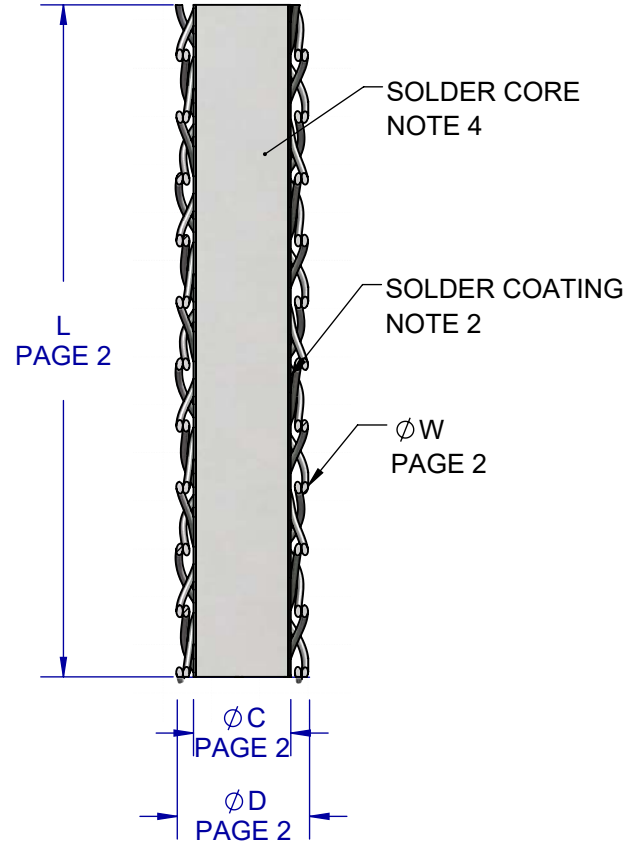
A

A

TOP



BEFORE COATING SECTION VIEW



SOLDER CORE
NOTE 4

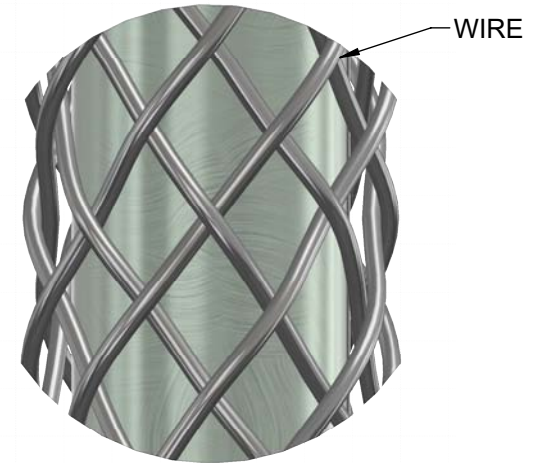
SOLDER COATING
NOTE 2

Ø W
PAGE 2

Ø C
PAGE 2

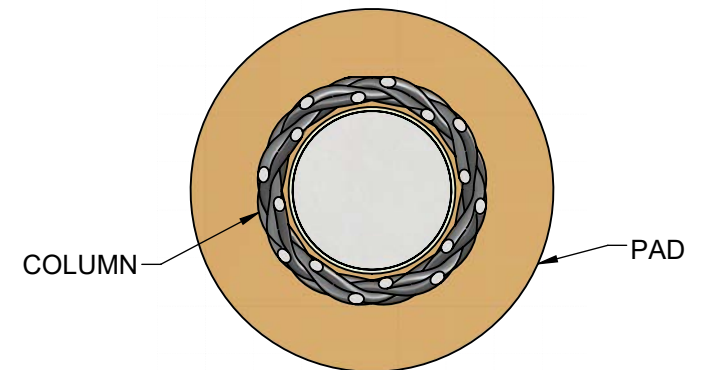
Ø D
PAGE 2

BRAIDED PATTERN 16X WIRES



DETAIL A
BEFORE COATING
SCALE 100:1

LAND PAD



NOTES: (UNLESS OTHERWISE SPECIFIED).

1. DIMENSIONS: MM [INCH].
2. THICKNESS: SOLDER COATING 6~25µm [0.25~1.0 MIL].
3. WIRE: 16 STRANDS BeCu ALLOY C172.
4. MATERIAL OPTIONS: SEE PAGE 4.

APPROVALS	DATE	TopLine®			
DRAWN T.Au	3/24/2024				
ENG M. Hart	3/24/2024	TITLE BC10H10X BRAIDED COLUMNS LEAD FREE			
MFG		SCALE	SIZE	DRAWING NO.	REV
QA		35:1	A	951000	A
CUST		DO NOT SCALE DRAWING			SHEET 1 OF 5
REVISED					

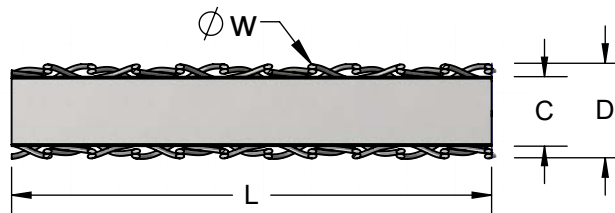
COLUMN PART NUMBER LEAD-FREE RoHS

ϕ D Diameter	PART NUMBER Core Sn90/Sb10	ϕ C Core	LENGTH (L)	
			mm	Inch
0.25mm (0.010") 10mil	BC10H10x40A	0.15mm	1.00	0.040
	BC10H10x50A	0.15mm	1.27	0.050
	BC10H10x60A	0.15mm	1.52	0.060
	BC10H10x63A	0.15mm	1.60	0.063

ϕ W = 0.025mm (1.50 mil). Solder Coating Sn90/Ag3.0/In6

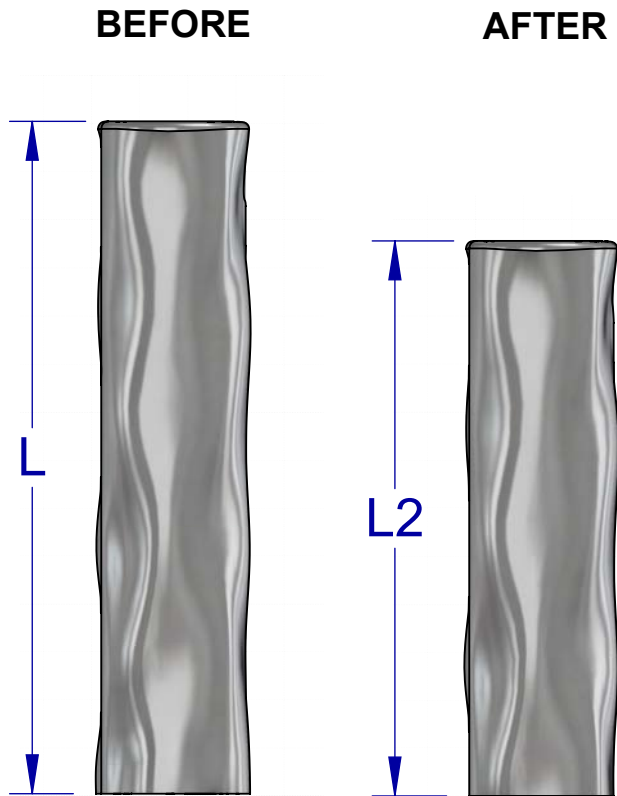
NOTES:

1. OTHER DIAMETERS AND LENGTHS AVAILABLE.
2. ALTERNATIVE CORE MATERIALS AVAILABLE.
3. LENGTH "L" AS DELIVERED BEFORE TRIMMING.



TopLine[®]			
TITLE BC10H10X BRAIDED COLUMNS LEAD FREE			
SCALE NONE	SIZE A	DRAWING NO. 951000	REV A
DO NOT SCALE DRAWING			SHEET 2 OF 5

COLUMN PLANARIZATION (TRIMMING)



L (Note 1)		L2 (Note 2)	
mm	Inch	mm	Inch
0.80mm	0.031"	0.61 ~ 0.71mm	0.024 ~ 0.028"
0.90mm	0.035"	0.71 ~ 0.79mm	0.028 ~ 0.031"
1.0mm	0.040"	0.76 ~ 0.89mm	0.030 ~ 0.035"
1.27mm	0.050"	1.00 ~ 1.14mm	0.040 ~ 0.045"
1.52mm	0.060"	1.27 ~ 1.40mm	0.050 ~ 0.055"
1.60mm	0.063"	1.35 ~ 1.45mm	0.053 ~ 0.057"
1.70mm	0.067"	1.45 ~ 1.58mm	0.057 ~ 0.062"
1.80mm	0.070"	1.52 ~ 1.65mm	0.060 ~ 0.065"
1.90mm	0.075"	1.65 ~ 1.75mm	0.065 ~ 0.070"
2.21mm	0.087"	1.95 ~ 2.08mm	0.077 ~ 0.082"
2.31mm	0.091"	2.05 ~ 2.21mm	0.081 ~ 0.087"
2.36mm	0.093"	2.11 ~ 2.21mm	0.083 ~ 0.087"
2.41mm	0.095"	2.11 ~ 2.21mm	0.083 ~ 0.087"
2.54mm	0.100"	2.21 ~ 2.41mm	0.087 ~ 0.095"

CONTACT TOPLINE FOR OTHER LENGTHS

NOTES:

1. COLUMN LENGTH AS DELIVERED.
2. COLUMN PLANARIZATION (TRIM) AFTER ATTACHMENT TO LGA CHIP PACKAGE.

TopLine®			
TITLE BC10H10X BRAIDED COLUMNS LEAD FREE			
SCALE 35:1	SIZE A	DRAWING NO. 951000	REV A
DO NOT SCALE DRAWING		SHEET 3 OF 5	

BRAIDED COLUMNS MATERIALS

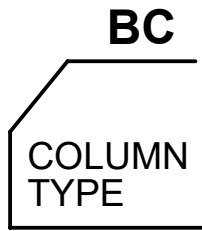
SPEC REFERENCE	LEAD FREE RoHS (SnSb)
PART SERIES	BC10H
DWG NUMBER	9510XX
CORE ALLOY	Sn90/Sb10
CORE SOLIDUS	245 °C
CORE LIQUIDUS	266 °C
SOLDER COATING	Sn90/Ag3.0/In6/Bi/Cu
BRAIDED WIRE	C172
REFLOW TEMP	235 ~ 250 °C

NOTES:

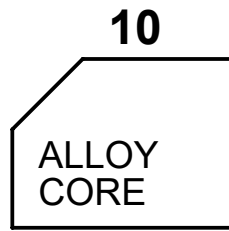
1. OTHER CORE ALLOYS AND BRAID WIRE MATERIALS AVAILABLE.

TopLine[®]			
TITLE		BC10H10X BRAIDED COLUMNS LEAD FREE	
SCALE	SIZE	DRAWING NO.	REV
NONE	A	951000	A
DO NOT SCALE DRAWING			SHEET 4 OF 5

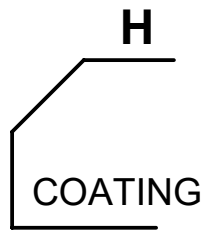
PART NUMBERING SYSTEM



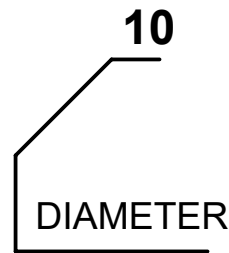
BC =
BRAIDED
COLUMN



LEAD FREE RoHS
10 = Sn90/Sb10



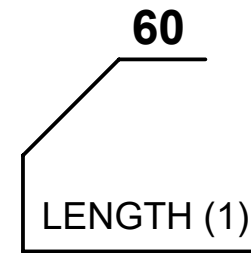
LEAD FREE RoHS
H = Sn90/Ag3.5/In6.0



Mil	mm
8	0.20mm
9	0.23mm
10	0.25mm
11	0.28mm
12	0.30mm
14	0.35mm
16	0.40mm
18	0.45mm
20	0.50mm

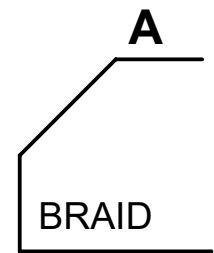


X = BULK
E = REEL



Mil	mm
40	1.00
50	1.27
60	1.52
63	1.60
70	1.80
75	1.90
87	2.21
91	2.31
93	2.36
100	2.54

Other Available



C172 BeCu
A = ϕ 0.025mm
B = ϕ 0.038mm
C = ϕ 0.050mm

NOTES:

1. NOMINAL LENGTH AS DELIVERED BEFORE PLANARIZING (TRIMMING).
2. SEE APPLICATION NOTES (Page 3) FOR TRIMMING AFTER ATTACHING TO LGA CHIP PACKAGE.

TopLine®			
TITLE BC10H10X BRAIDED COLUMNS LEAD FREE			
SCALE NONE	SIZE A	DRAWING NO. 951000	REV A
DO NOT SCALE DRAWING		SHEET 5 OF 5	