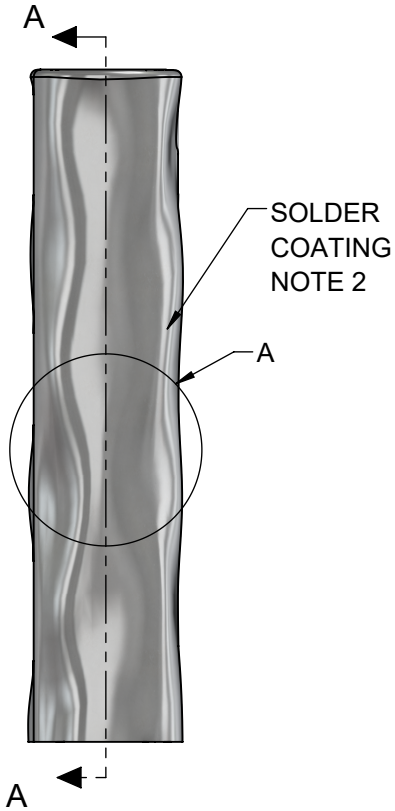
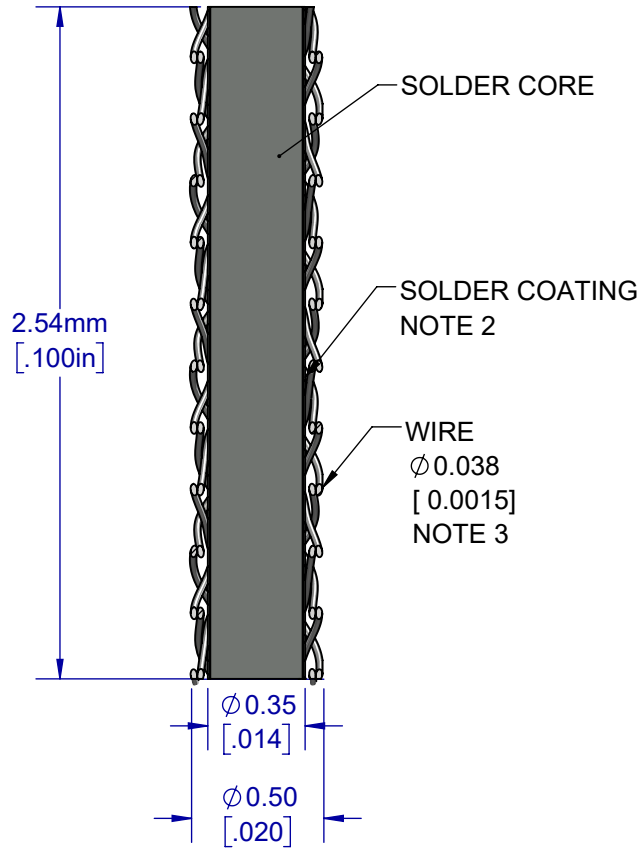


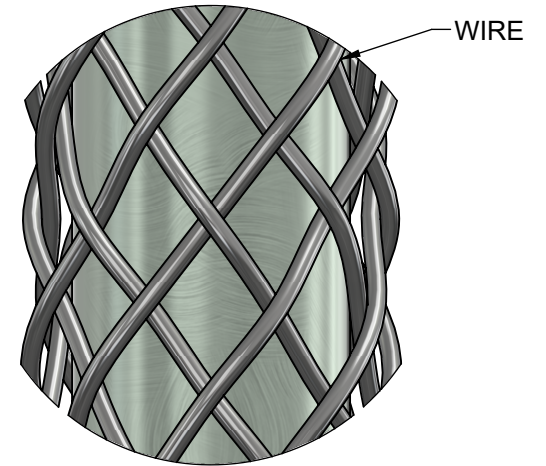
AFTER COATING



**SECTION VIEW
BEFORE COATING**

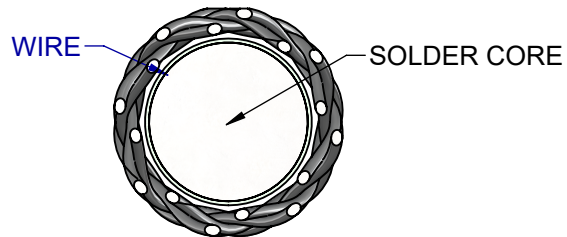


**BRAIDED PATTERN
16X WIRES**



**DETAIL A
BEFORE COATING
SCALE 100:1**

TOP



NOTES: (UNLESS OTHERWISE SPECIFIED).

1. DIMENSIONS: MM [INCH].
2. THICKNESS: SOLDER COATING 6~25µm [0.25~1.0 MIL].
3. WIRE: 16 STRANDS BeCu ALLOY C172.
4. MATERIAL OPTIONS: SEE PAGE 2.

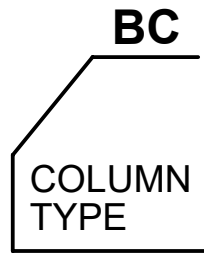
APPROVALS	DATE	TopLine®			
DRAWN T. Au	1/2/2024				
ENG M. Hart	1/2/2024	TITLE BC8020B20x100B 0.50 x 2.54mm BRAIDED COLUMN			
MFG		SCALE	SIZE	DRAWING NO.	REV
QA		35:1	A	752099	A
CUST		DO NOT SCALE DRAWING			SHEET 1 OF 4
REVISED					

BRAIDED COLUMNS MATERIAL OPTIONS

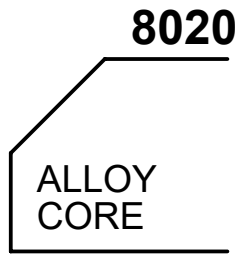
SPEC REFERENCE	TIN-LEAD (SnPb)			LEAD FREE (RoHS)	
PART NUMBER	BC8020B20x100B	BC9010B20x100B	BC935B20x100B	BC10H20x100B	BC8H20x100B
DWG NUMBER	752099	712099	762099	952099	982099
CORE ALLOY	Pb80/Sn20	Pb90/Sn10	Pb93.5/Sn5.0/Ag.15	Sn90/Sb10	Sn91.5/Sb8.5
CORE SOLIDUS	183 °C	275 °C	296 °C	245 °C	235 °C
CORE LIQUIDUS	280 °C	302 °C	301 °C	266 °C	243 °C
SOLDER COATING	Sn63/Pb37	Sn63/Pb37	Sn63/Pb37	Sn90Ag3.5/In6	Sn90Ag3.5/In6
BRAIDED WIRE ALLOY	C172	C172	C172	C172	C172

TopLine[®]			
TITLE BC8020B20x100B 0.50 x 2.54mm BRAIDED COLUMN			
SCALE NONE	SIZE A	DRAWING NO. 752099	REV A
DO NOT SCALE DRAWING		SHEET 2 OF 4	

PART NUMBERING SYSTEM

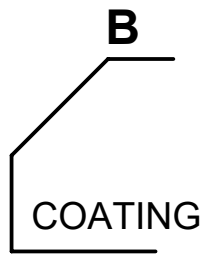


BC =
BRAIDED
COLUMN



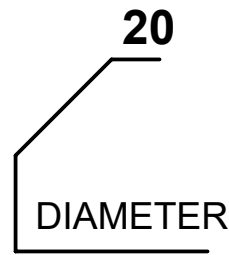
TIN - LEAD
8020 = Pb80/Sn20
9010 = Pb90/Sn10
935 = Pb93.5/Sn5/Ag1.5

LEAD FREE RoHS
10 = Sn90/Sb10
8 = Sn91.5/Sb8.5



TIN-LEAD
B = Sn63/Pb37

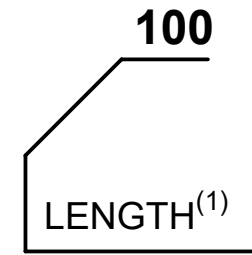
LEAD FREE RoHS
H = Sn90/Ag3.5/Bi0.5/In6.0



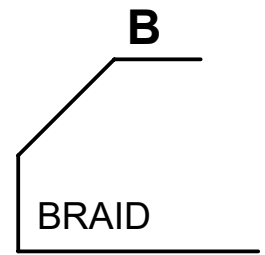
<u>Mil</u>	<u>mm</u>
20	0.50



X = BULK
E = REEL



<u>Mil</u>	<u>mm</u>
40	1.00
50	1.27
60	1.52
63	1.60
70	1.80
75	1.90
87	2.21
91	2.31
93	2.36
100	2.54
Other Available	



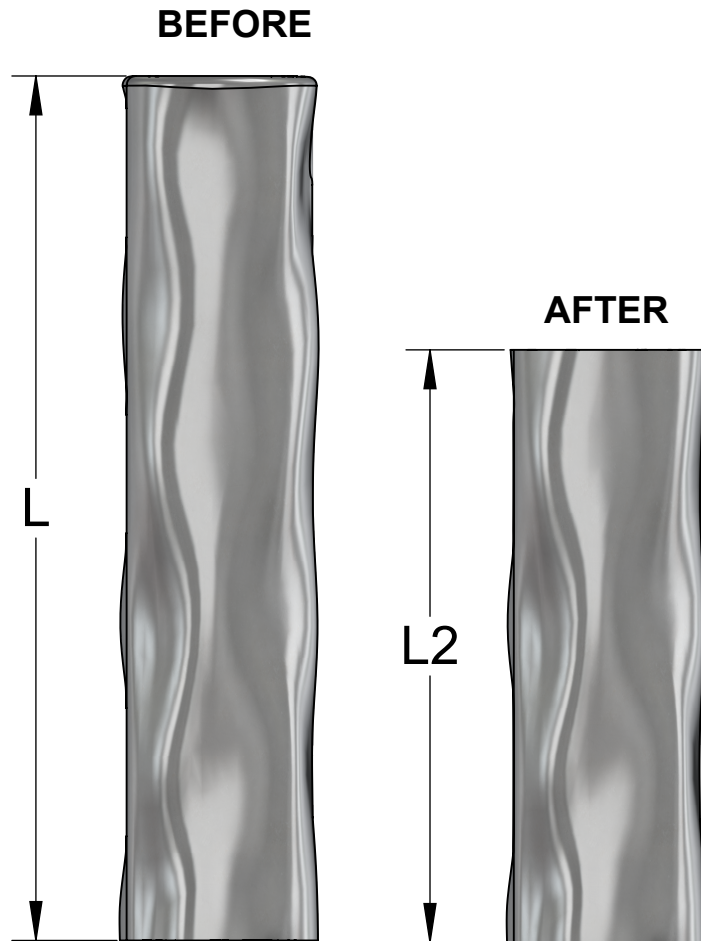
C172 BeCu
A = \varnothing 0.025mm
B = \varnothing 0.038mm
C = \varnothing 0.050mm

NOTES:

1. NOMINAL LENGTH AS DELIVERED BEFORE PLANARIZING (TRIMMING).
2. SEE APPLICATION NOTES (Page 4) FOR TRIMMING AFTER ATTACHING TO LGA CHIP PACKAGE.

TopLine[®]			
TITLE BC8020B20x100B 0.50 x 2.54mm BRAIDED COLUMN			
SCALE NONE	SIZE A	DRAWING NO. 752099	REV A
DO NOT SCALE DRAWING		SHEET 3 OF 4	

COLUMN PLANARIZATION (TRIMMING)



L (Note 1)		L2 (Note 2)	
mm	Inch	mm	Inch
0.80mm	0.031"	0.61 ~ 0.71mm	0.024 ~ 0.028"
0.90mm	0.035"	0.71 ~ 0.79mm	0.028 ~ 0.031"
1.0mm	0.040"	0.76 ~ 0.89mm	0.030 ~ 0.035"
1.27mm	0.050"	1.00 ~ 1.14mm	0.040 ~ 0.045"
1.52mm	0.060"	1.27 ~ 1.40mm	0.050 ~ 0.055"
1.60mm	0.063"	1.35 ~ 1.45mm	0.053 ~ 0.057"
1.70mm	0.067"	1.45 ~ 1.58mm	0.057 ~ 0.062"
1.80mm	0.070"	1.52 ~ 1.65mm	0.060 ~ 0.065"
1.90mm	0.075"	1.65 ~ 1.75mm	0.065 ~ 0.070"
2.21mm	0.087"	1.95 ~ 2.08mm	0.077 ~ 0.082"
2.31mm	0.091"	2.05 ~ 2.21mm	0.081 ~ 0.087"
2.36mm	0.093"	2.11 ~ 2.21mm	0.083 ~ 0.087"
2.41mm	0.095"	2.11 ~ 2.21mm	0.083 ~ 0.087"
2.54mm	0.100"	2.21 ~ 2.41mm	0.087 ~ 0.095"

CONTACT TOPLINE FOR OTHER LENGTHS

NOTES:

1. COLUMN LENGTH AS DELIVERED.
2. COLUMN PLANARIZATION (TRIM) AFTER ATTACHMENT TO LGA CHIP PACKAGE.

TopLine®			
TITLE BC8020B20x100B 0.50 x 2.54mm BRAIDED COLUMN			
SCALE 35:1	SIZE A	DRAWING NO. 752099	REV A
DO NOT SCALE DRAWING		SHEET 4 OF 4	