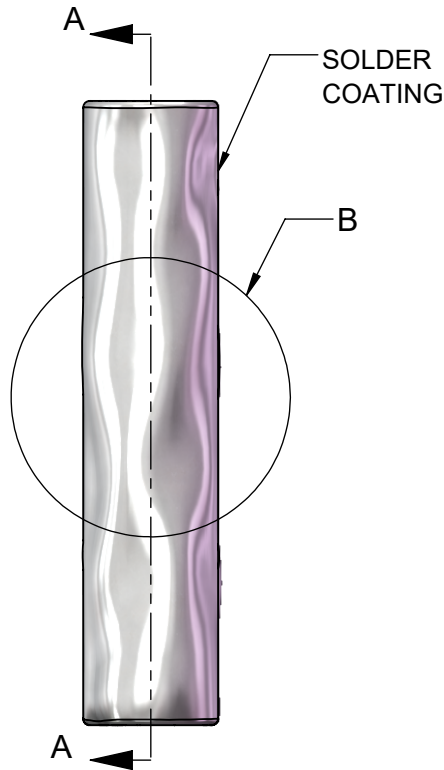
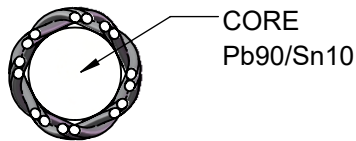


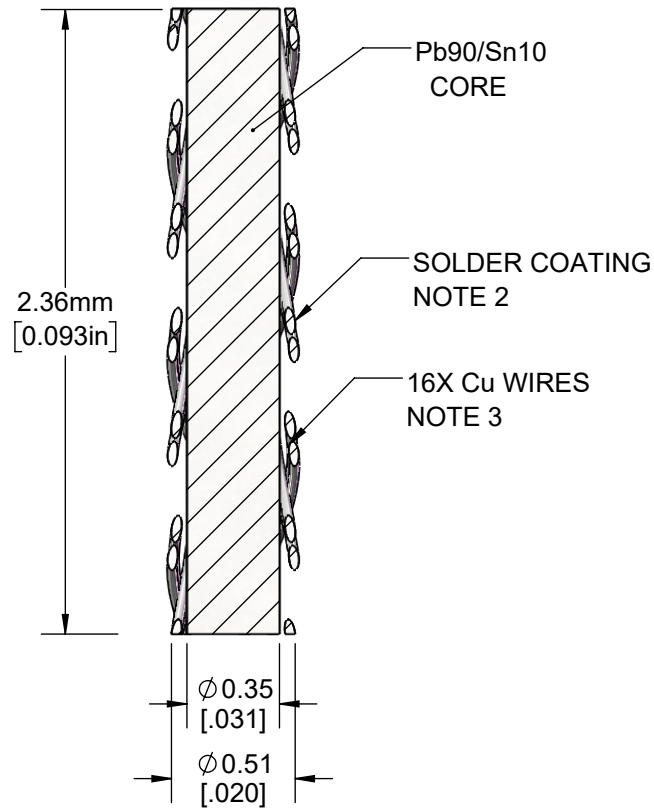
**AFTER COATING**



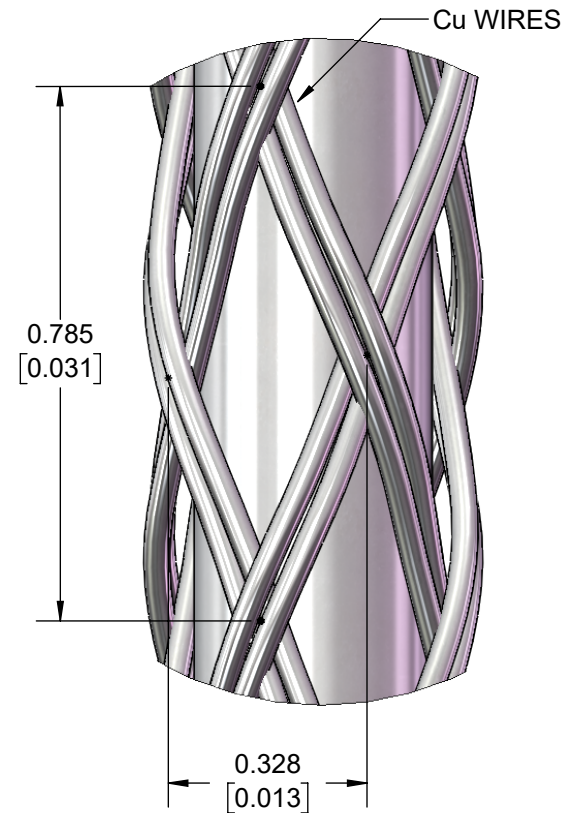
**TOP**



**SECTION VIEW  
BEFORE COATING**



**DIAMOND PATTERN  
16x Cu WIRE BRAID**



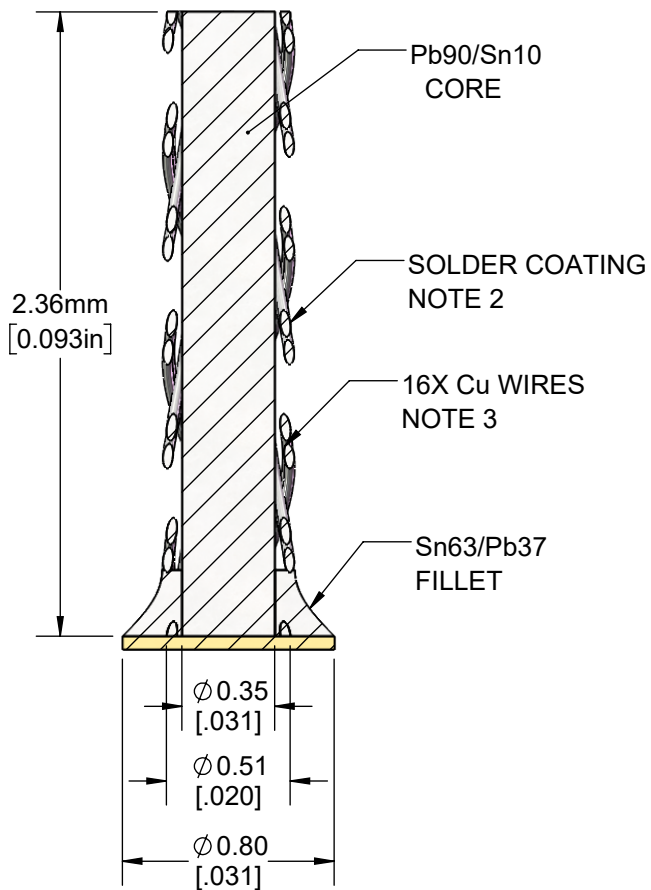
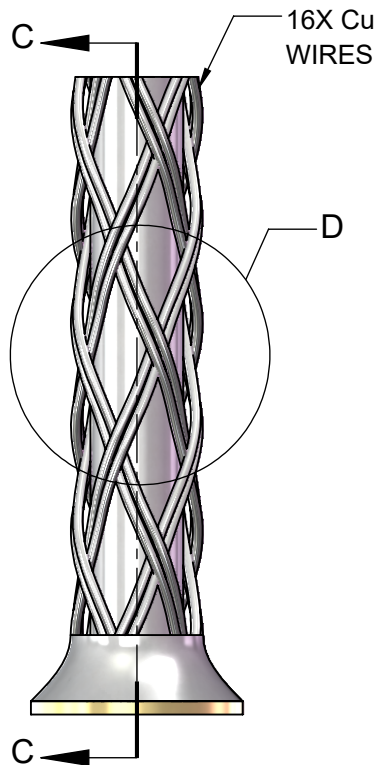
**DETAIL B  
BEFORE COATING  
SCALE 90:1**

NOTES: (UNLESS OTHERWISE SPECIFIED).

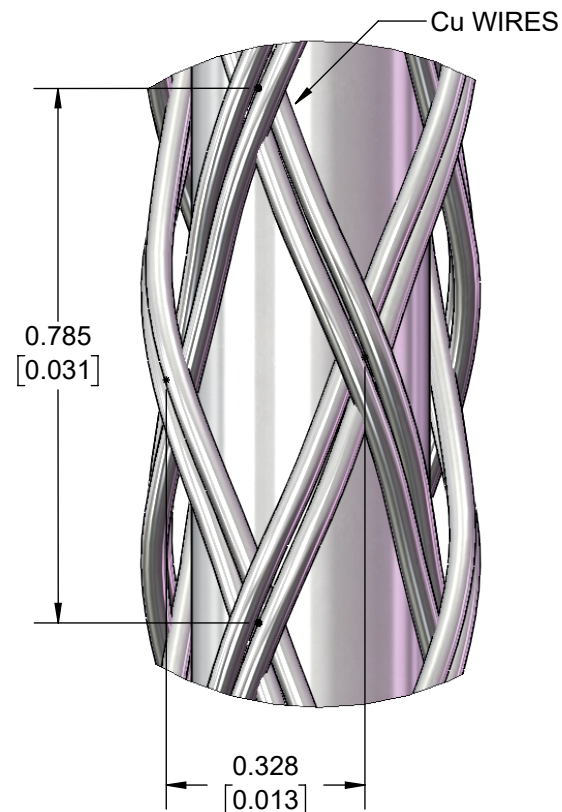
- 1) DIMENSIONS: MM [INCH].
- 2) THICKNESS SOLDER COAT: 6~25  $\mu\text{m}$  [0.25~1.0 MIL].
- 3) PALLADIUM COATED COPPER: Cu~98.0%, Pd~2.0%, Au < 0.1%.

|             |            |   |      |             |              |
|-------------|------------|---|------|-------------|--------------|
| APPROVALS   | DATE       | <b>TopLine<sup>®</sup></b>                              |      |             |              |
| DRAWN T. Au | 11/30/2020 |   |      |             |              |
| ENG M. Hart | 11/30/2020 | TITLE BC9010B20x93 Pb90/Sn10<br>16X COPPER BRAID COLUMN |      |             |              |
| MFG         |            | SCALE   | SIZE | DRAWING NO. | REV          |
| QA          |            | 35:1  | A    | 782093      | A            |
| CUST        |            | DO NOT SCALE DRAWING                                    |      |             | SHEET 1 OF 4 |
| REVISED     |            |   |      |             |              |

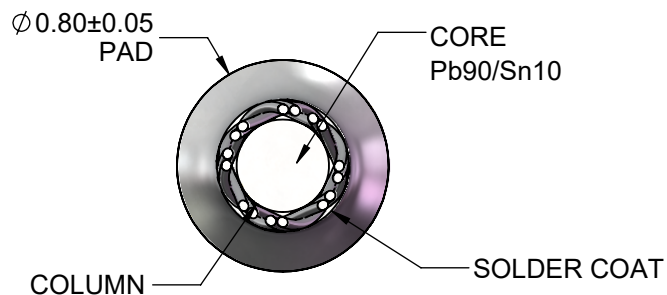
**SECTION VIEW  
BEFORE COATING**



**DIAMOND PATTERN  
16x Cu WIRE BRAID**



**DETAIL B  
BEFORE COATING  
SCALE 90:1**



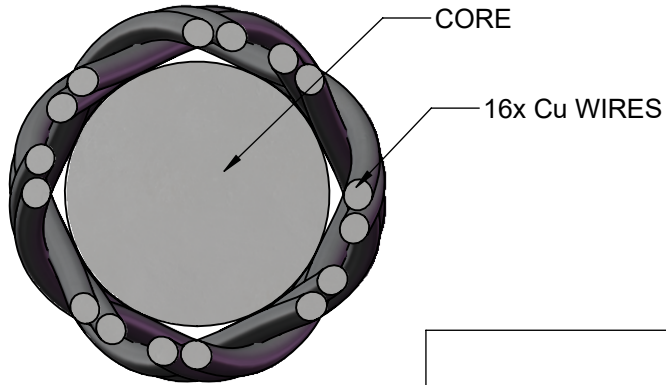
**CCGA PACKAGE  
PAD PLATING Ni-Au**

NOTES: (UNLESS OTHERWISE SPECIFIED).

- 1) DIMENSIONS: MM [INCH].
- 2) THICKNESS SOLDER COAT: 6~25  $\mu\text{m}$  [0.25~1.0 MIL].
- 3) PALLADIUM COATED COPPER: Cu~98.0%, Pd~2.0%, Au < 0.1%.

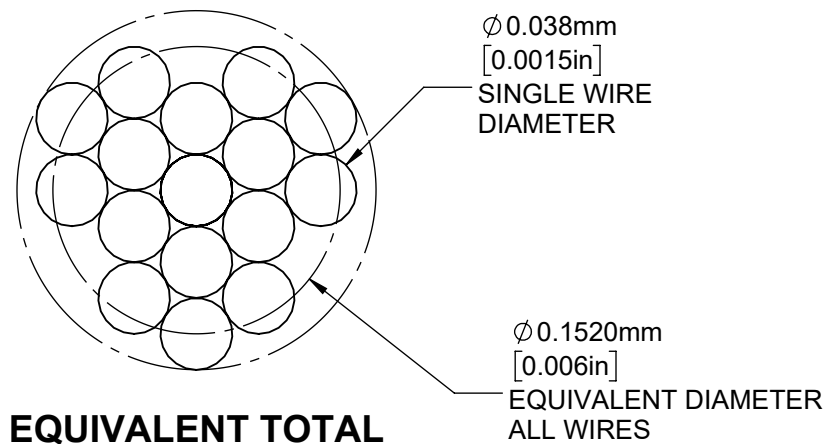
|             |            |   |      |             |              |
|-------------|------------|---|------|-------------|--------------|
| APPROVALS   | DATE       | <b>TopLine®</b>   |      |             |              |
| DRAWN T. Au | 11/30/2020 |   |      |             |              |
| ENG M. Hart | 11/30/2020 | TITLE BC9010B20x93 Pb90/Sn10<br>16X COPPER BRAID COLUMN |      |             |              |
| MFG         |            | SCALE   | SIZE | DRAWING NO. | REV          |
| QA          |            | 35:1  | A    | 782093      | A            |
| CUST        |            | DO NOT SCALE DRAWING                                    |      |             | SHEET 2 OF 4 |
| REVISED     |            |   |      |             |              |

# COPPER WIRE VOLUME



**SECTION G-G**

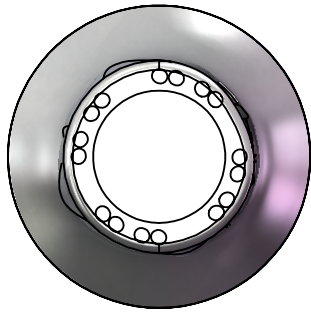
| TABLE OF WIRE CROSS SECTION "G-G"<br>DIAMOND PATTERN |                        |   |                       |  |  |
|--|------------------------|---|-----------------------|--|--|
| NBR OF WIRES   | DIAMETER EACH WIRE     | AREA EACH WIRE                                      | LENGTH EACH WIRE      | VOLUME EACH WIRE                                     | TOTAL VOLUME 16x Cu WIRES                          |
| 16   | 0.0380mm<br>[0.0015in] | 0.00113mm <sup>2</sup><br>0.00001757in <sup>2</sup> | 2.416mm<br>[0.0951in] | 0.00274mm <sup>3</sup><br>0.000000167in <sup>3</sup> | 0.0483mm <sup>3</sup><br>0.00000267in <sup>3</sup> |



**EQUIVALENT TOTAL DIAMETER  
SCALE 250:1**

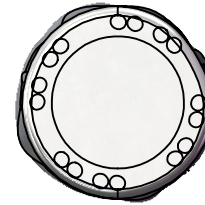
|   |           |                       |              |
|---|-----------|-----------------------|--------------|
| <b>TopLine®</b>   |           |                       |              |
| TITLE BC9010B20x93 Pb90/Sn10<br>16X COPPER BRAID COLUMN |           |                       |              |
| SCALE<br>100:1  | SIZE<br>A | DRAWING NO.<br>782093 | REV<br>A     |
| DO NOT SCALE DRAWING                                    |           |                       | SHEET 3 OF 4 |

**TOP VIEW**

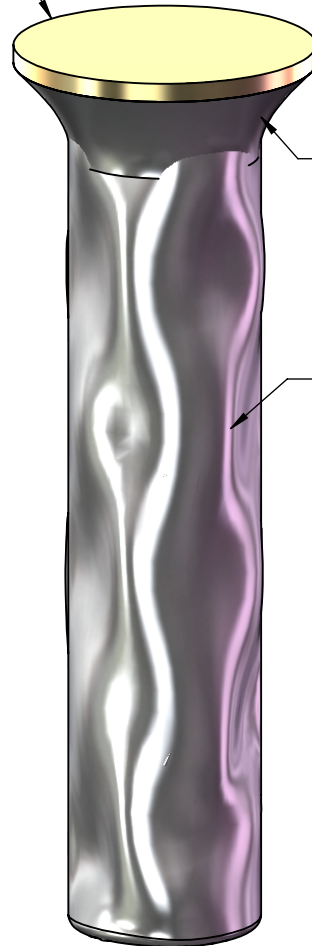


**MODEL  
BRAIDED COLUMN  
SOLDER COATED**

**TOP VIEW**



PAD



SOLDER  
FILLET  
Sn63/Pb37

SOLDER  
COATING  
Sn63/Pb37

SOLDER  
FILLET  
Sn63/Pb37



**FILET AFTER SOLDERING ON PAD**

**BEFORE SOLDERING  
ON PAD**

**TopLine®**

TITLE BC9010B20x93 Pb90/Sn10  
16X COPPER BRAID COLUMN

|               |           |                       |          |
|---------------|-----------|-----------------------|----------|
| SCALE<br>50:1 | SIZE<br>A | DRAWING NO.<br>782093 | REV<br>A |
|---------------|-----------|-----------------------|----------|

DO NOT SCALE DRAWING

SHEET 4 OF 4