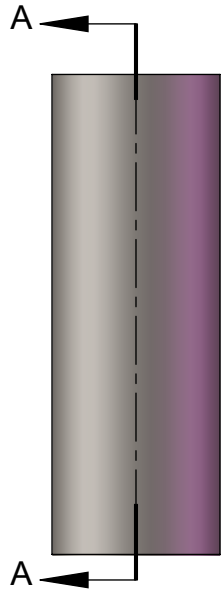
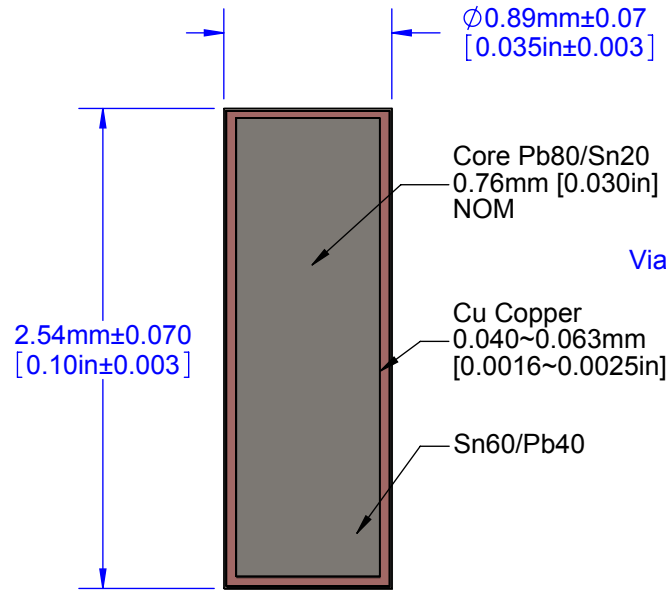


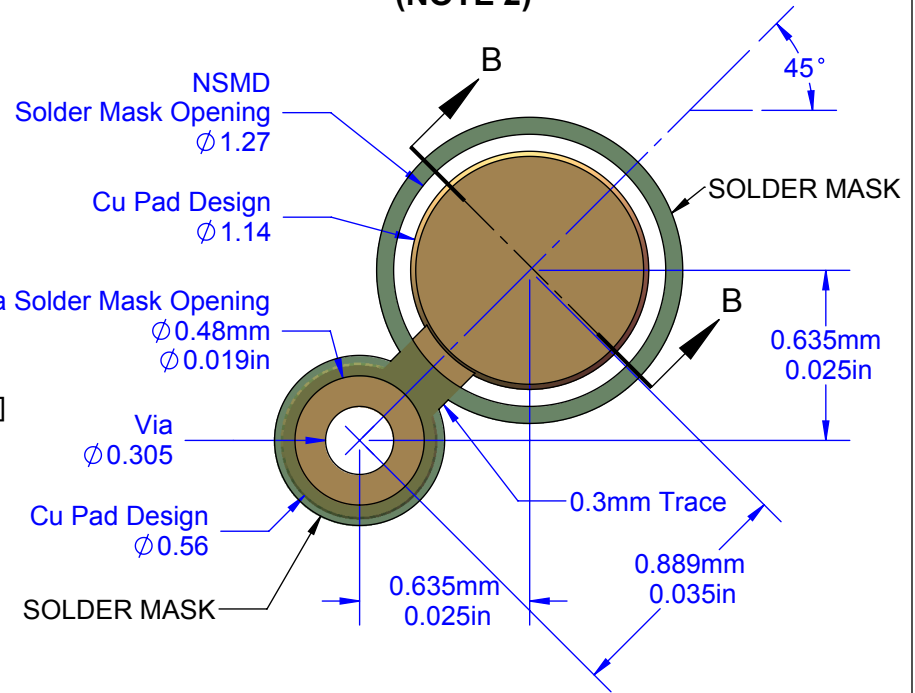
EXTERIOR VIEW



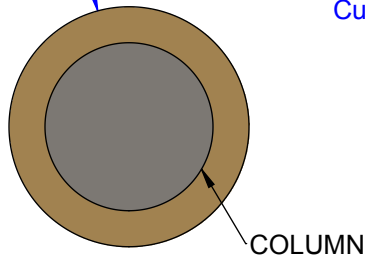
SECTION VIEW



PCB LAND PATTERN (NOTE 2)

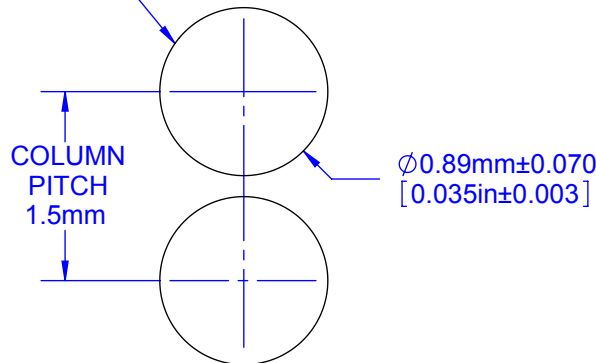


$\phi 1.27\text{mm} \pm 0.07$
LGA PAD

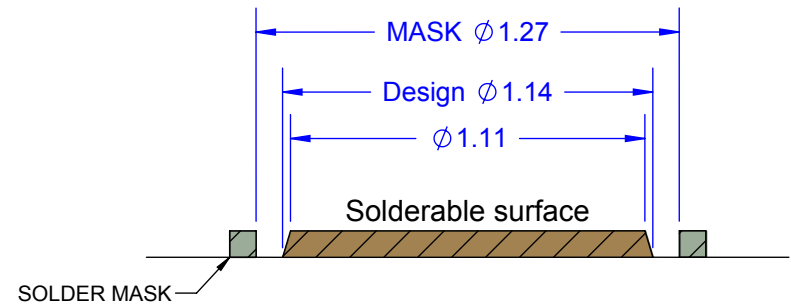


**LGA - LAND GRID ARRAY
PAD PLATING Ni-Au**

Pb80/Sn20
Cu Plated



**Cu PAD SIDE VIEW
PCB BOARD**



Section B-B

Notes: (Unless Otherwise Specified).

- 1) DIMENSIONS IN mm [INCHES].
- 2) PCB BOARD DIMENSIONS ARE PRESENTED ONLY AS A GUIDELINE. DESIGNERS SHOULD USE THEIR OWN EXPERIENCE WHEN DESIGNING PCB.

APPROVALS	DATE	TopLine®			
DRAWN T. Au	07/10/15				
ENG M. Hart	07/10/15	TITLE CG8020E35x100 CCGA SOLDER COLUMN			
MFG		SCALE	SIZE	DRAWING NO.	REV
QA		25:1	A	843599	A
CUST		DO NOT SCALE DRAWING			SHEET 1 OF 1
REVISED					