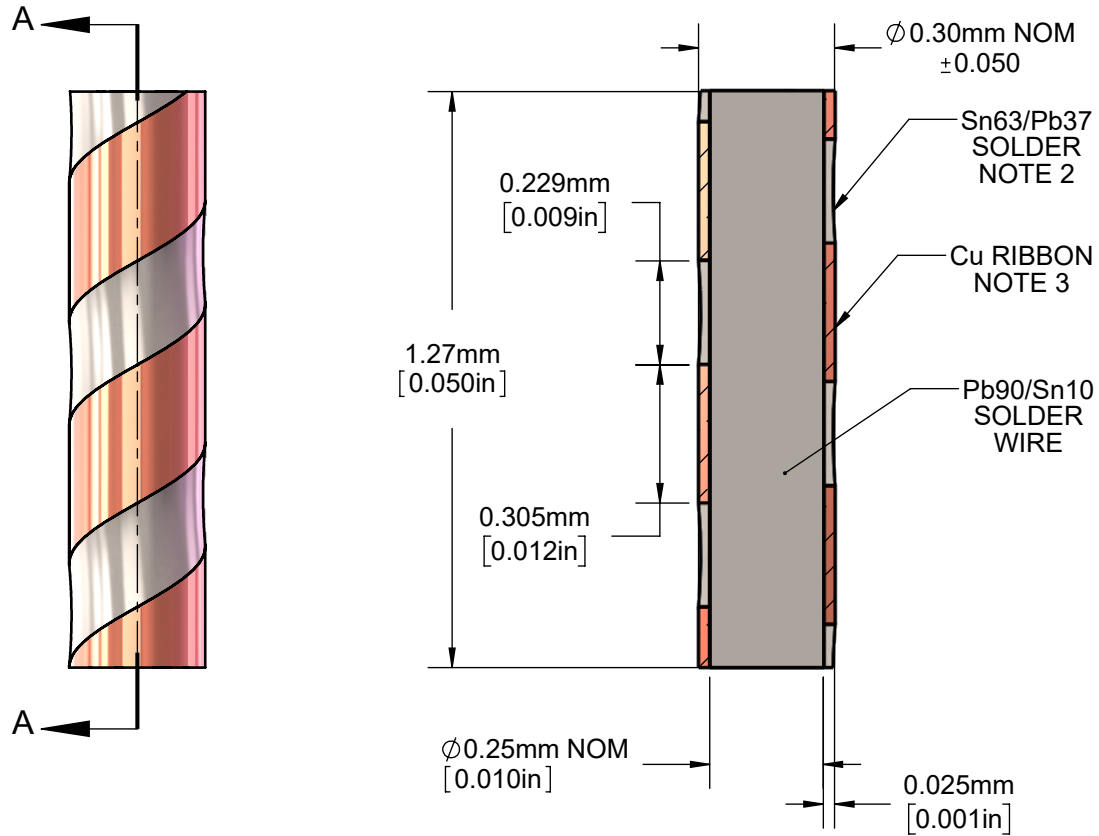
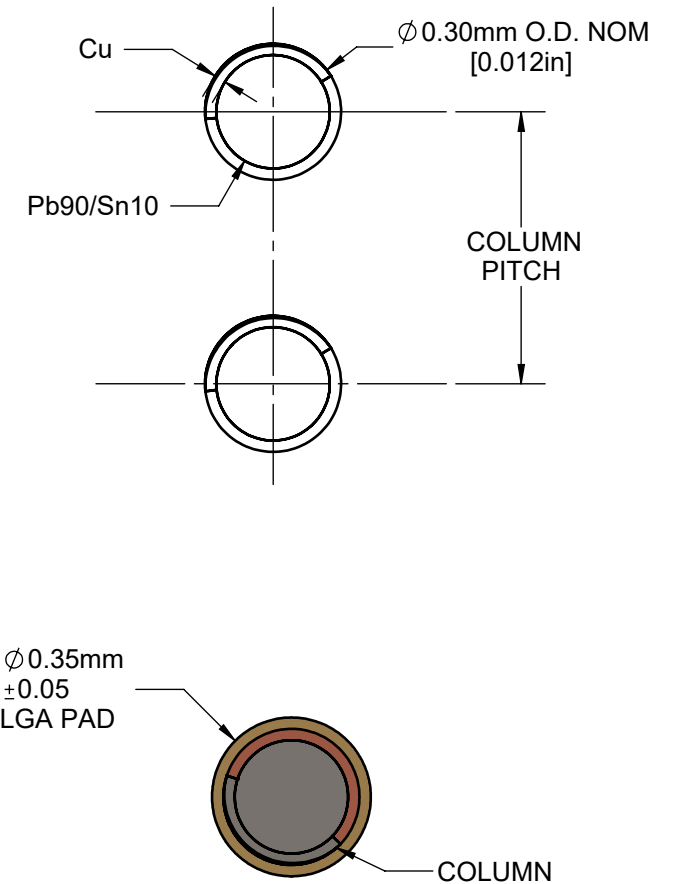


### SECTION VIEW



### PCB LAND PATTERN (NOTE 4)



### LGA - LAND GRID ARRAY PAD PLATING Ni-Au

Notes: (Unless Otherwise Specified).

- 1) DIMENSIONS IN mm [INCHES].
- 2) THICKNESS Sn63/Pb37 SOLDER COAT  $6\sim 12\mu\text{m} [0.25\sim 0.50\text{mil}]$ .
- 3) Cu ALLOY C10100 - OFE (CDA-101). 99.99% PURE.
- 4) PCB BOARD DIMENSIONS ARE PRESENTED ONLY AS A GUIDELINE. DESIGNERS SHOULD USE THEIR OWN EXPERIENCE WHEN DESIGNING PCB.

APPROVALS	DATE	<b>TopLine®</b>			
DRAWN T.Au	8/23/2021				
ENG M. Hart	8/23/2021	TITLE CG9010C12x50 CCGA SOLDER COLUMN			
MFG		SCALE	SIZE	DRAWING NO.	REV
QA		40:1	A	911060	A
CUST		DO NOT SCALE DRAWING			SHEET 1 OF 1
REVISED					