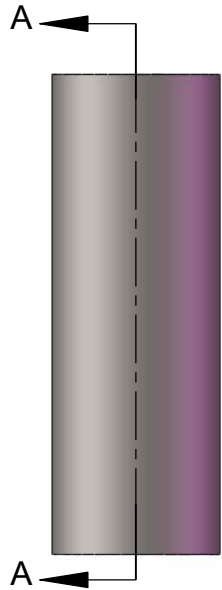
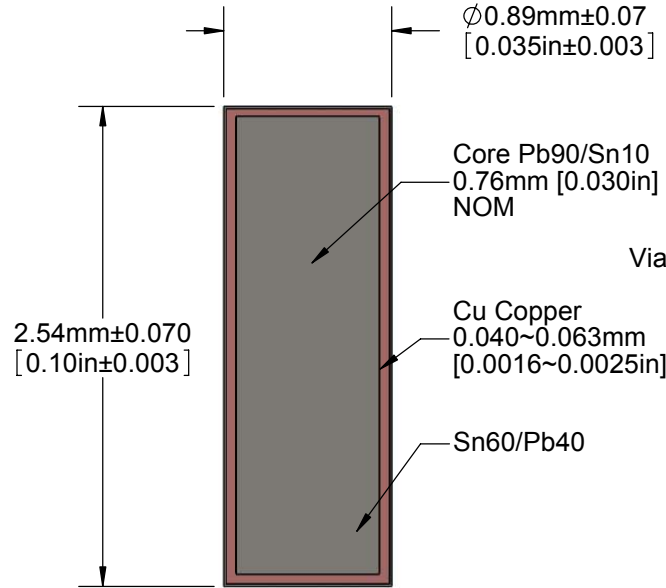


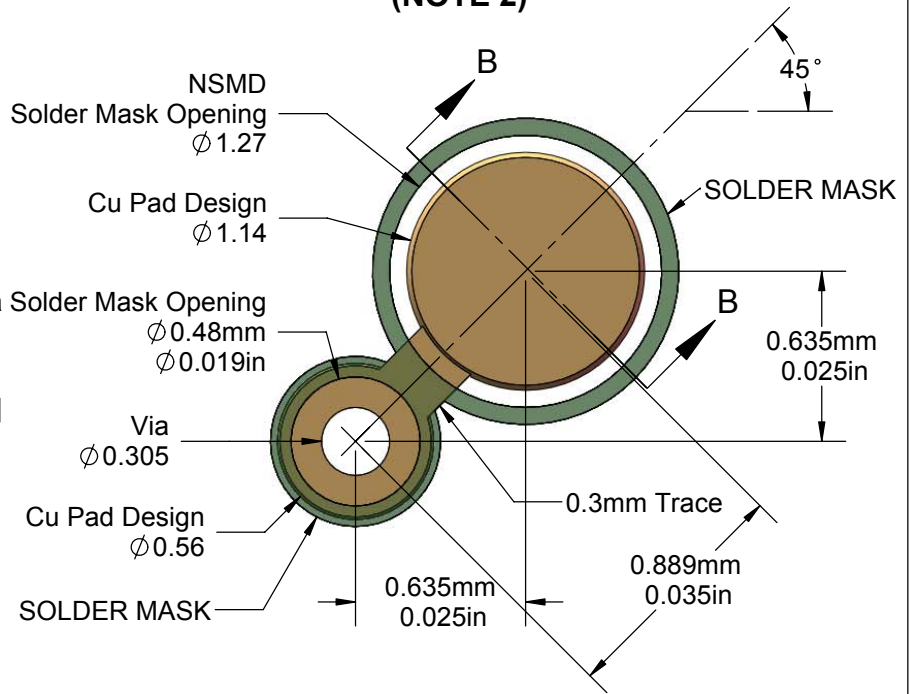
**EXTERIOR VIEW**



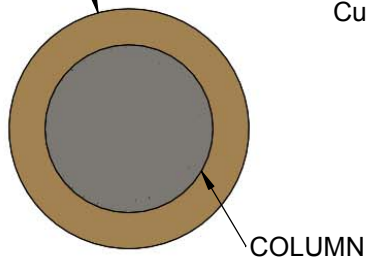
**SECTION VIEW**



**PCB LAND PATTERN (NOTE 2)**

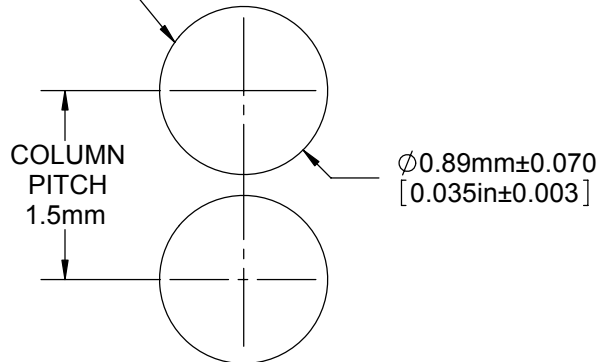


$\phi 1.27\text{mm} \pm 0.07$   
LGA PAD

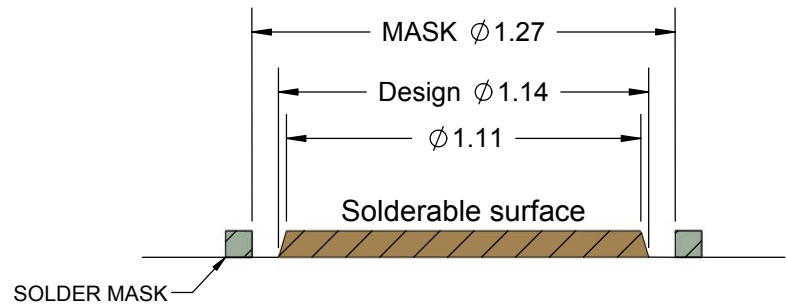


**LGA - LAND GRID ARRAY  
PAD PLATING Ni-Au**

Pb80/Sn20  
Cu Plated



**Cu PAD SIDE VIEW  
PCB BOARD**



**Section B-B**

Notes: (Unless Otherwise Specified).

- 1) DIMENSIONS IN mm [INCHES].
- 2) PCB BOARD DIMENSIONS ARE PRESENTED ONLY AS A GUIDELINE. DESIGNERS SHOULD USE THEIR OWN EXPERIENCE WHEN DESIGNING PCB.

APPROVALS	DATE	<b>TopLine®</b>			
DRAWN T. Au	7/13/2015				
ENG M. Hart	7/13/2015	TITLE CG9010E35x100 CCGA SOLDER COLUMN			
MFG		SCALE	SIZE	DRAWING NO.	REV
QA		25:1	A	943599	A
CUST		DO NOT SCALE DRAWING			SHEET 1 OF 1
REVISED					