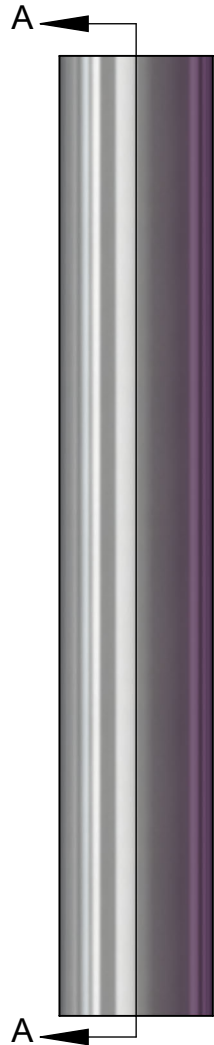
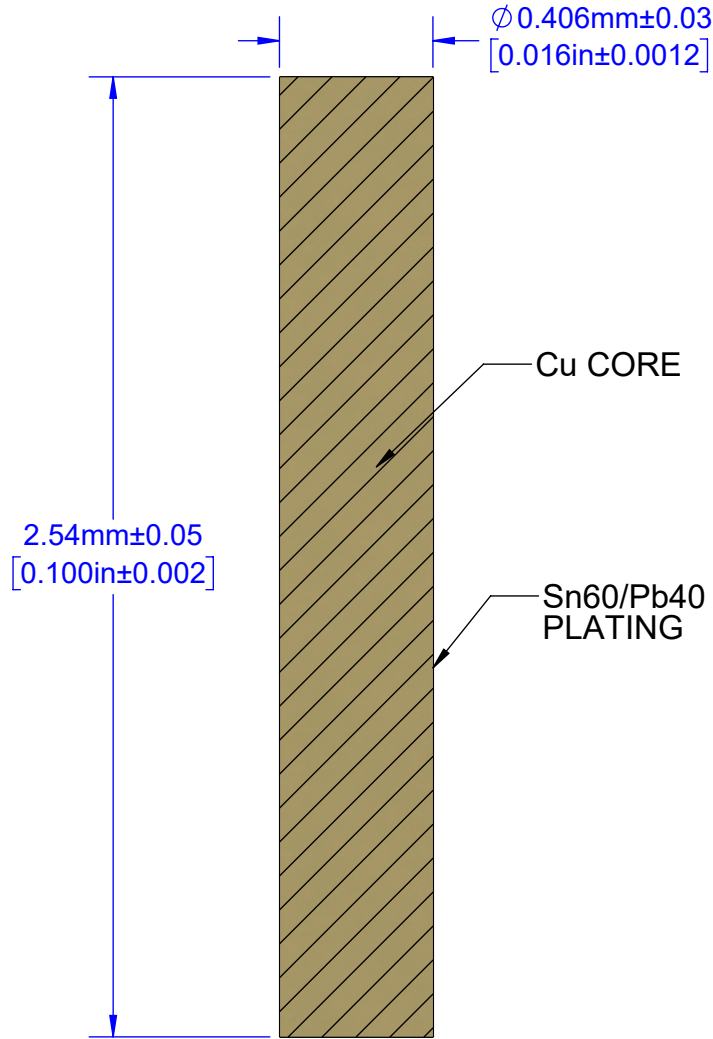


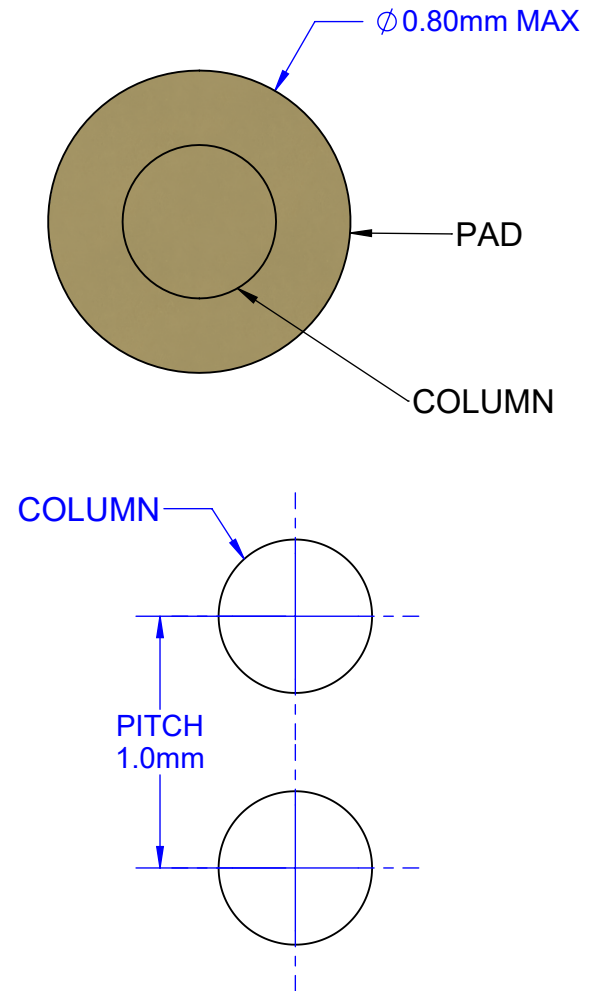
**EXTERIOR VIEW**



**SECTION VIEW**



**CCGA - LAND PAD**



**END VIEW**

- Notes: (Unless Otherwise Specified).  
 1) DIMENSIONS IN mm [INCHES].  
 2) MATERIAL: Cu COPPER ALLOY CDA101 OFE-OFHC.  
 3) PLATING: Sn60/Pb40 3.0~5.0µm [100~200 MICRO-INCH].  
 4) WIRE GAUGE: AWG26.

|             |          |  |      |             |              |
|-------------|----------|--|------|-------------|--------------|
| APPROVALS   | DATE     | <b>TopLine®</b>                          |      |             |              |
| DRAWN T.Au  | 01/13/18 |  |      |             |              |
| ENG M. Hart | 01/13/18 | TITLE CU101P16x100<br>CCGA COPPER COLUMN |      |             |              |
| MFG         |          | SCALE                                    | SIZE | DRAWING NO. | REV          |
| QA          |          | 50:1                                     | A    | 301699      | A            |
| CUST        |          | DO NOT SCALE DRAWING                     |      |             | SHEET 1 OF 1 |
| REVISED     |          |  |      |             |              |