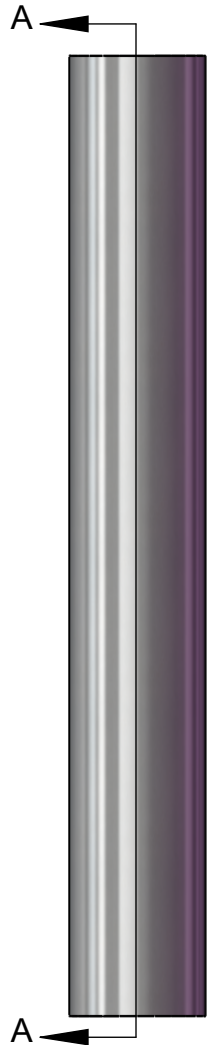
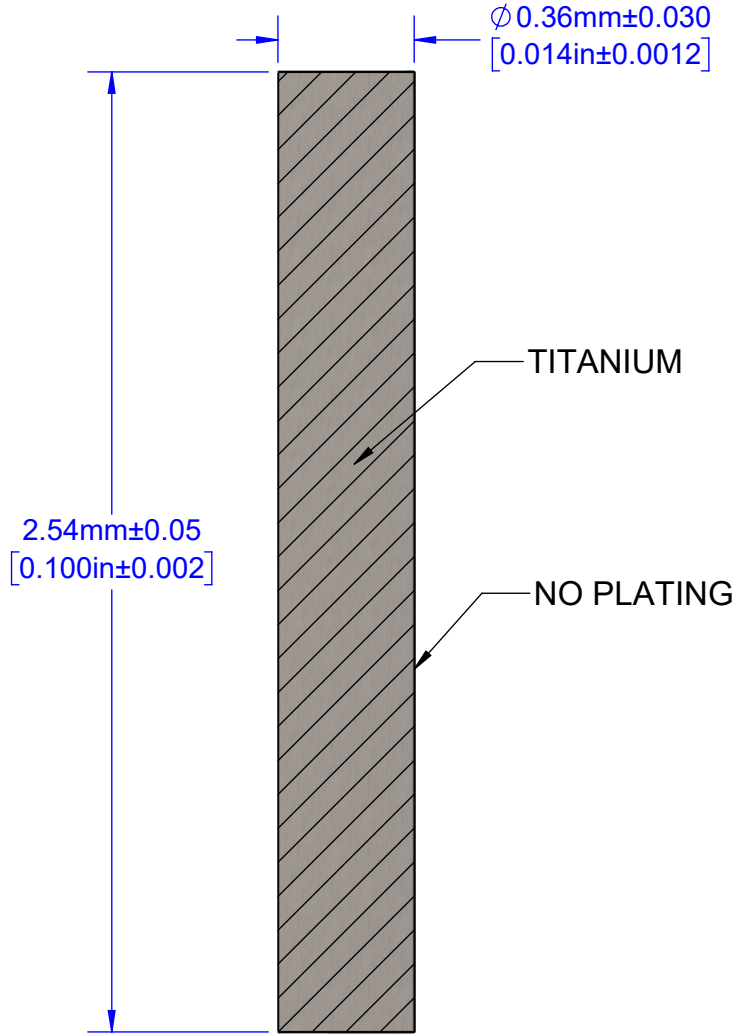


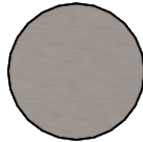
**EXTERIOR VIEW**



**SECTION VIEW**



**END VIEW**



- Notes: (Unless Otherwise Specified).  
 1) DIMENSIONS IN mm [INCHES]  
 2) MATERIAL: TITANIUM (Ti) GRADE 1  
 3) PLATING: NONE  
 4) WIRE GAUGE: AWG27

APPROVALS	DATE	<b>TopLine®</b>			
DRAWN T. Au	10/15/2019				
ENG M. Hart	10/15/2019	TITLE Ti1U14x100 TITANIUM (Ti) PIN			
MFG		SCALE	SIZE	DRAWING NO.	REV
QA		50:1	A	304140	A
CUST		DO NOT SCALE DRAWING			SHEET 1 OF 1
REVISED					