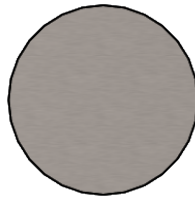
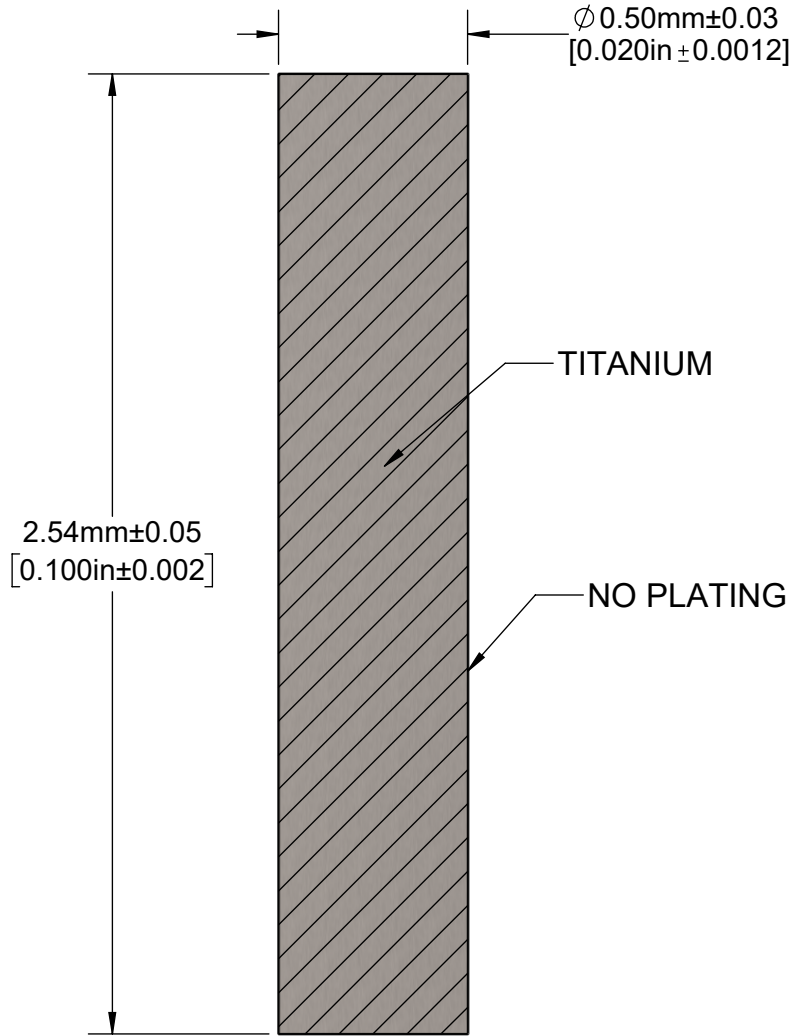


EXTERIOR VIEW



SECTION VIEW



END VIEW

- Notes: (Unless Otherwise Specified).
 1) DIMENSIONS IN mm [INCHES]
 2) MATERIAL: TITANIUM (Ti) GRADE 1
 3) PLATING: NONE
 4) WIRE GAUGE: AWG 24

APPROVALS	DATE	TopLine®			
DRAWN T. Au	12/12/2019				
ENG M. Hart	12/12/2019	TITLE Ti1U20x100 TITANIUM (Ti) PIN			
MFG		SCALE 50:1	SIZE A	DRAWING NO. 304200	REV A
QA					
CUST		DO NOT SCALE DRAWING			SHEET 1 OF 1
REVISED					