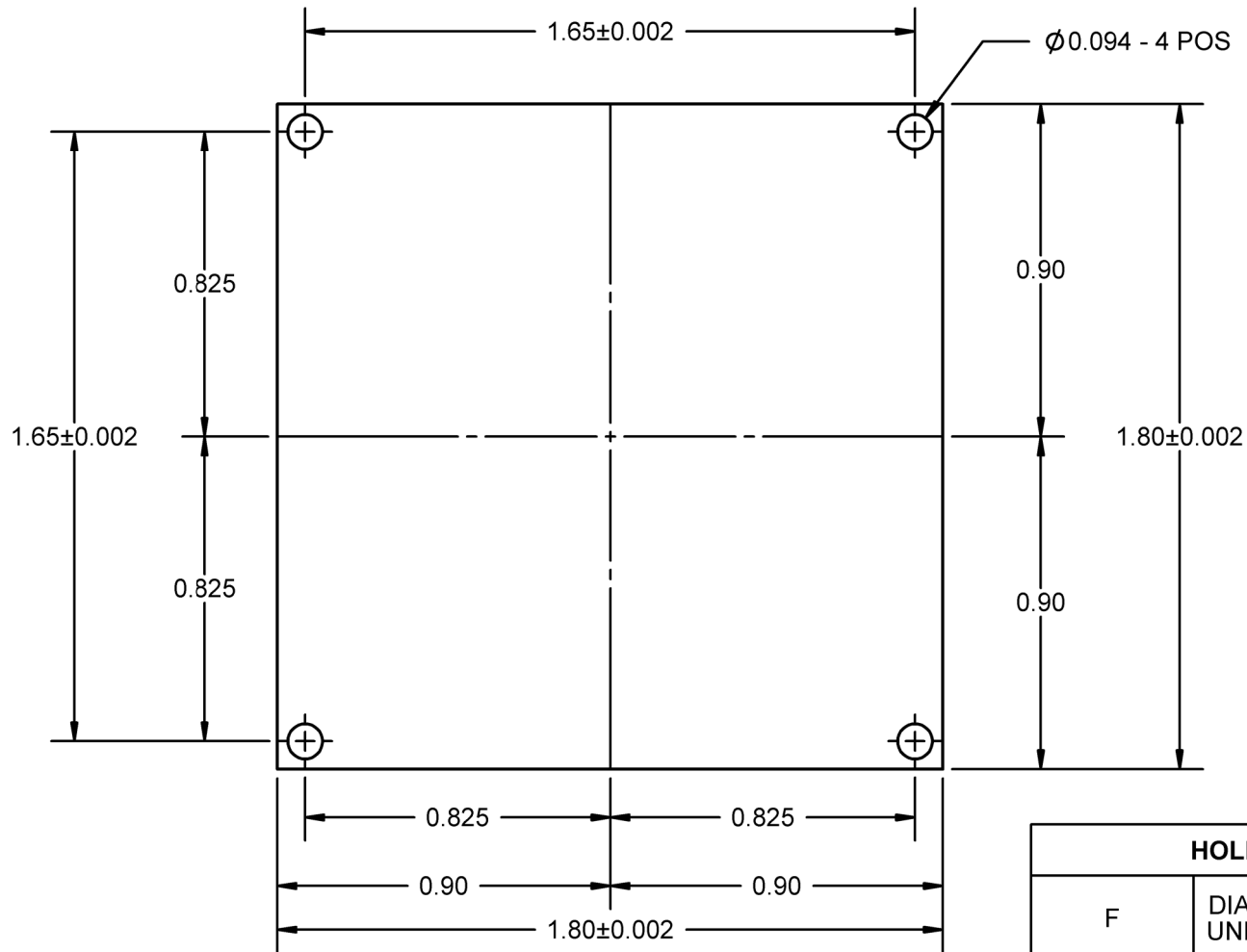


BOTTOM RETENTION PLATE

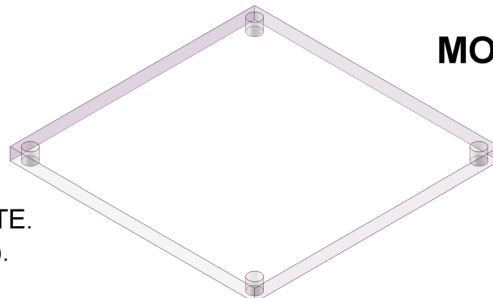
SIDE VIEW

TOP VIEW



HOLE CHART		
F	DIAMETER UNPLATED	QTY HOLES
+	Ø0.094	4

MODEL



NOTES: (Unless Otherwise Specified).

- 1) DIMENSIONS: INCH.
- 2) MATERIAL: CLEAR PC-300 POLYCARBONATE.
- 3) STATIC DISSIPATIVE 10⁶ ~ 10⁸ Ω (ESD SAFE).
- 4) HOLE BREAK OUT ALLOWED.

APPROVALS	DATE	TopLine [®]			
DRAWN T. Au	6/1/2018				
ENG M. Hart	6/1/2018	TITLE FP1.8-BOTTOM-1.65B BOTTOM RETENTION PLATE			
MFG		SCALE	SIZE	DRAWING NO.	REV
QA		2:1	A	001061	A
CUST		DO NOT SCALE DRAWING			SHEET 1 OF 1
REVISED					