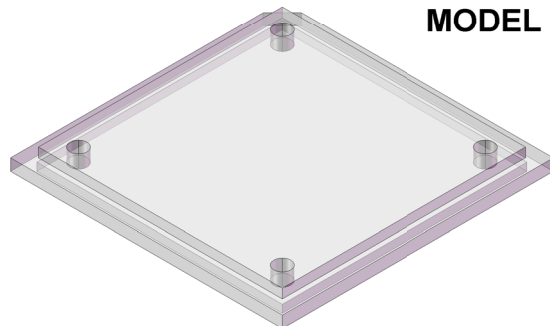
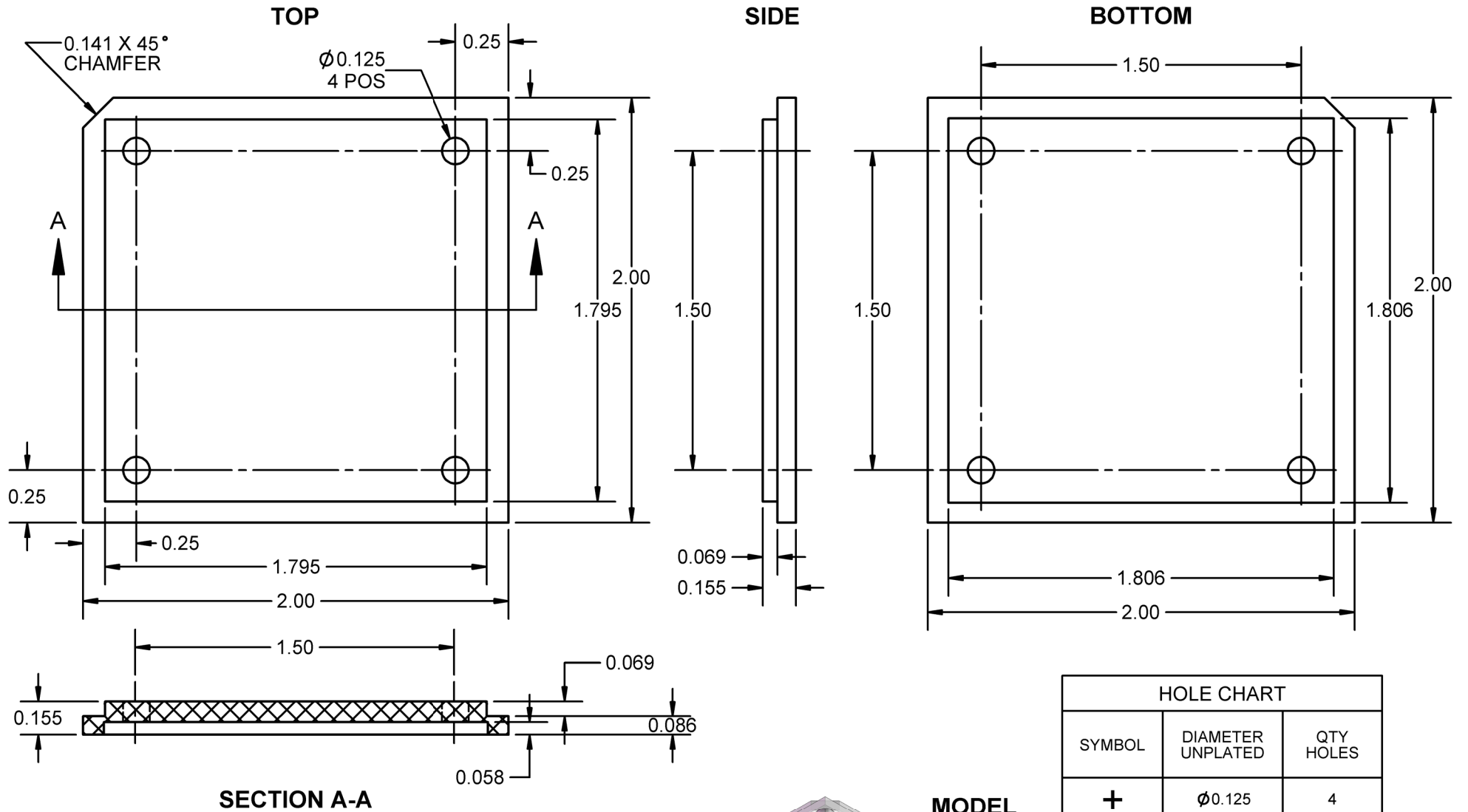


# SHOWN WITHOUT SCREWS



Notes: (Unless Otherwise Specified).

- 1) DIMENSIONS: INCH.
- 2) MATERIAL: TRANSPARENT PMMA PLASTIC.
- 3) ANTISTATIC:  $10^{12} \Omega$  SURFACE RESISTANCE.

**TopLine**

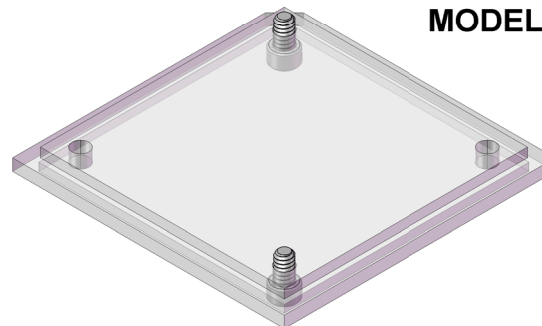
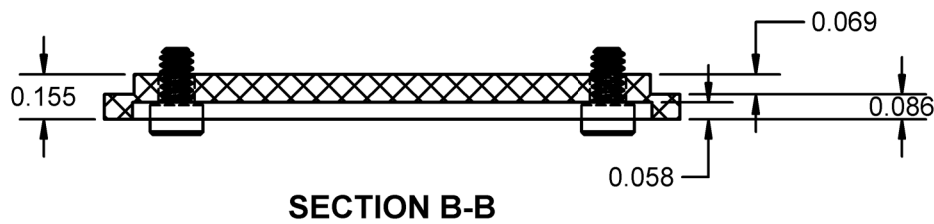
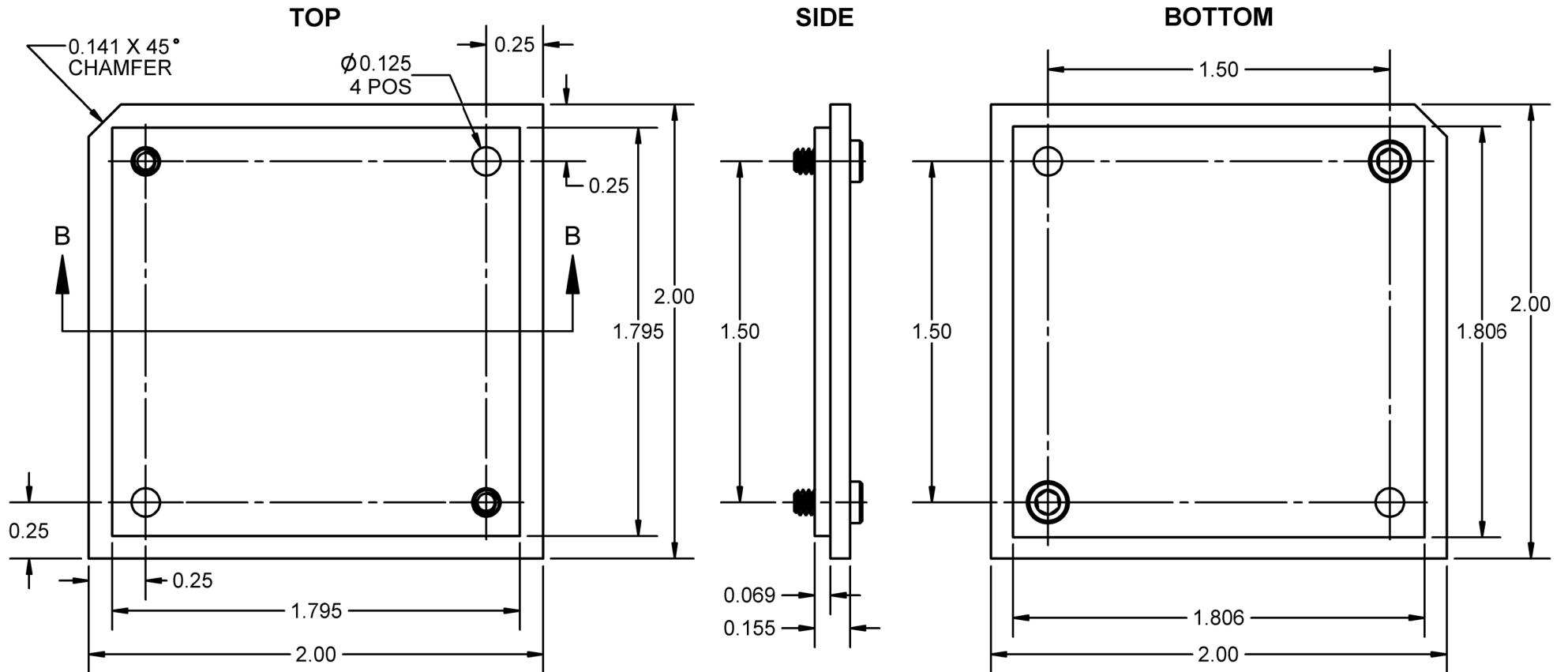
TITLE FLIP PACK BOTTOM COVER  
2-INCH

SCALE 3:2	SIZE A	DRAWING NO. 001041	REV A
--------------	-----------	-----------------------	----------

DO NOT SCALE DRAWING

SHEET 1 OF 3

# SHOWN WITH SCREWS



Notes: (Unless Otherwise Specified).

- 1) DIMENSIONS: INCH.
- 2) MATERIAL: TRANSPARENT PMMA PLASTIC.
- 3) ANTISTATIC:  $10^{12} \Omega$  SURFACE RESISTANCE.

**TopLine®**

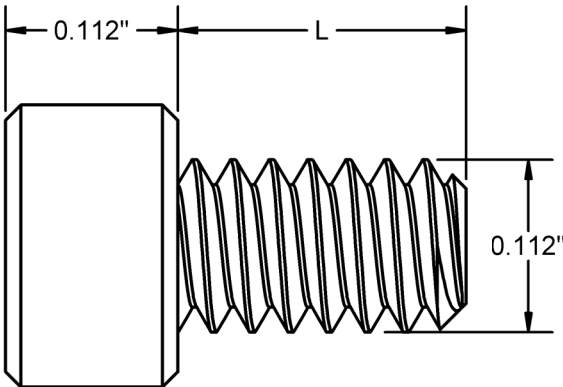
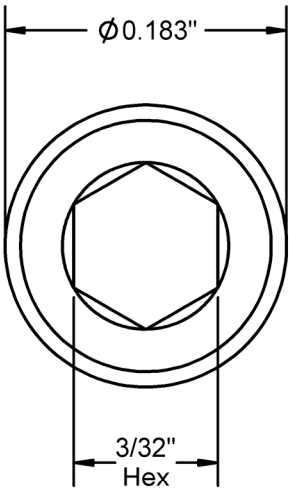
TITLE FLIP PACK BOTTOM COVER  
2-INCH

SCALE	SIZE	DRAWING NO.	REV
3:2	A	001041	A

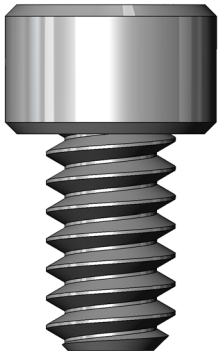
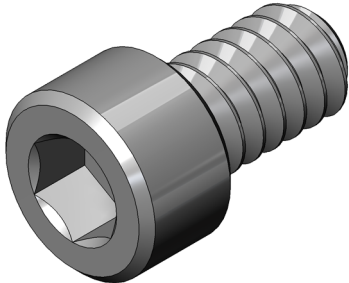
DO NOT SCALE DRAWING

SHEET 2 OF 3

# HARDWARE CAP SCREW



## MODELS



- NOTES:**
1. DIMENSIONS INCHES (UNLESS OTHERWISE SPECIFIED).
  2. SHAFT MATERIAL: SEE TABLE.
  3. COLOR: BLACK.

DRILL TABLE						
MATERIAL	THREAD	MAX OD	TAP DRILL Start Hole	CL HOLE Loose Fit	CL HOLE Close Fit	DWG
STAINLESS	4-40	0.112"	0.089"	0.156"	0.125"	704033
STAINLESS	4-40	0.112"	0.089"	0.187"	0.125"	704037

<b>TopLine<sup>®</sup></b>			
TITLE		CAP SCREW 4-40	
SCALE	SIZE	DRAWING NO.	REV
8:1	A	001041	A
DO NOT SCALE DRAWING			SHEET 3 OF 3