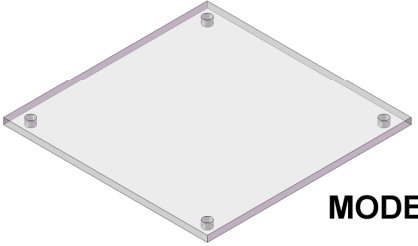
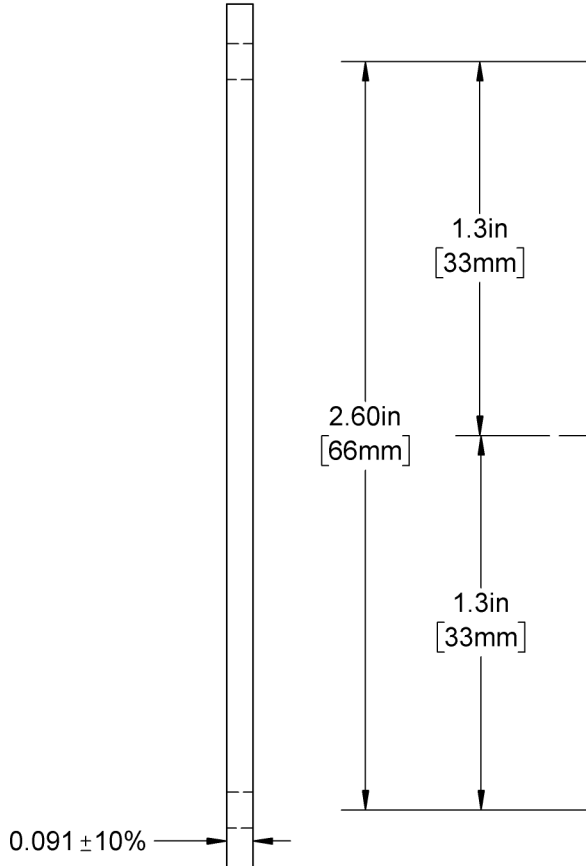
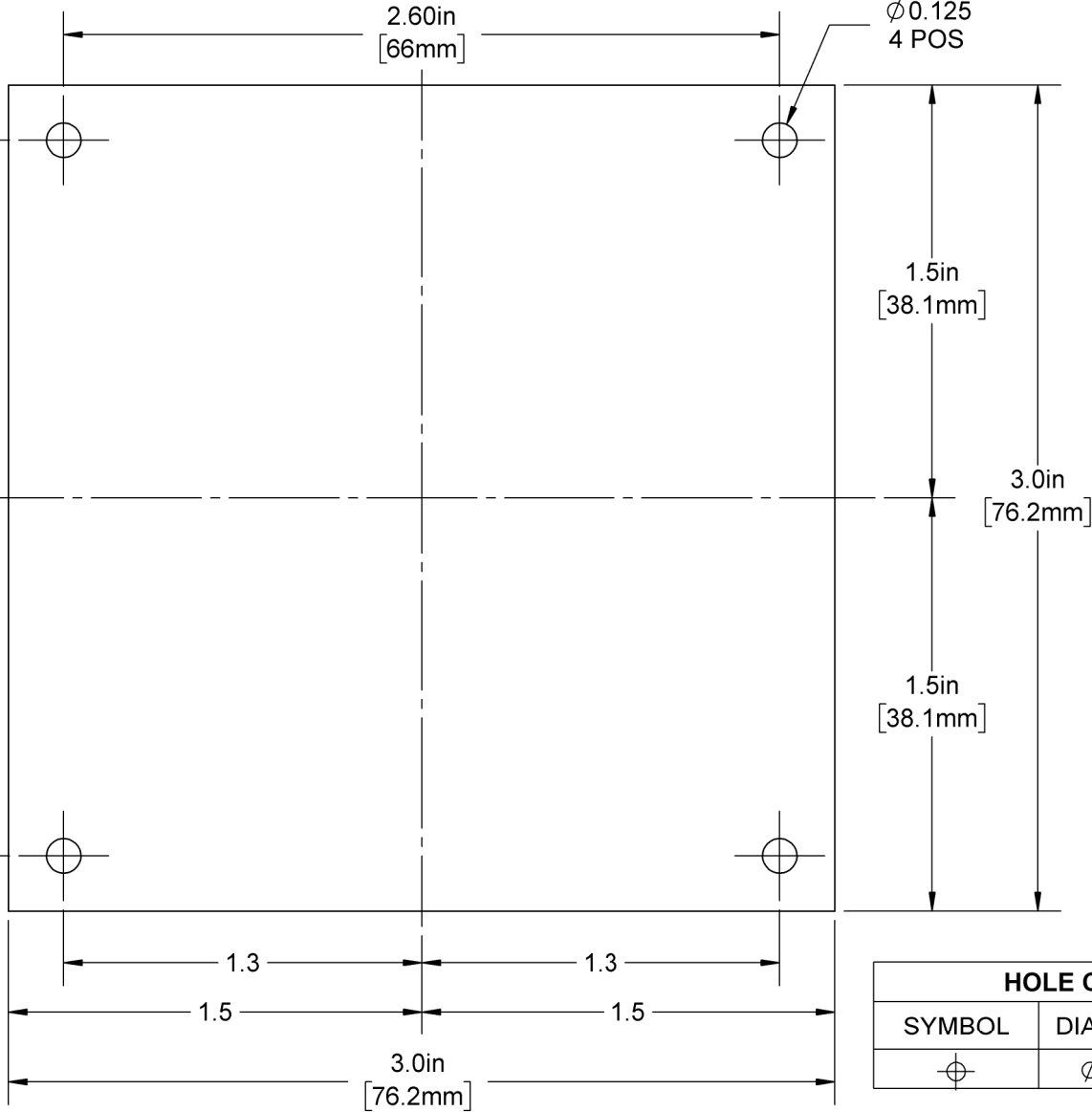


# RETENTION PLATE TOP VIEW

## SIDE VIEW



**MODEL**



HOLE CHART		
SYMBOL	DIAMETER	QTY
$\odot$	$\phi 0.125$	4

- NOTES:**
1. DIMENSIONS INCHES UNLESS OTHERWISE STATED.
  2. MATERIAL CLEAR PC-300 POLYCARBONATE.
  3. SURFACE RESISTIVITY: STATIC DISSIPATIVE  $10^6 \sim 10^8 \Omega$ .



TITLE <b>FLIP PACK SYSTEM BOTTOM RETENTION PLATE</b>			
SCALE 3:2	SIZE A	DRAWING NO. 001067	REV A
DO NOT SCALE DRAWING			SHEET 3 OF 6