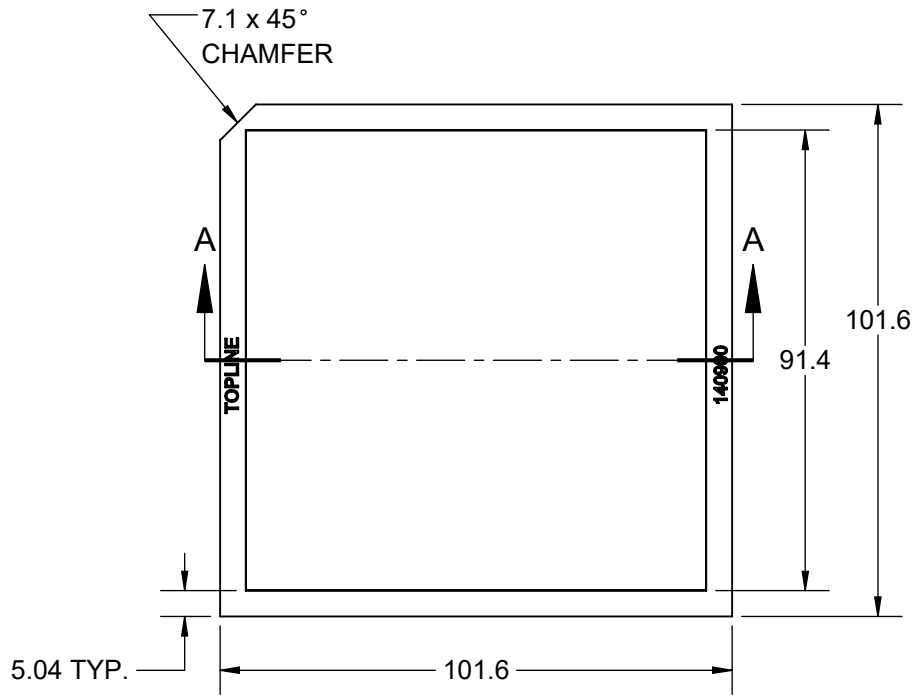
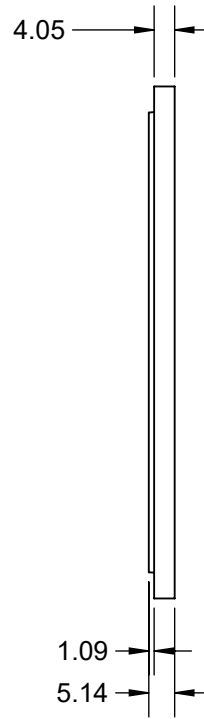


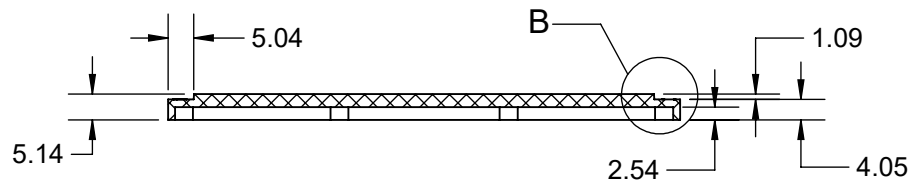
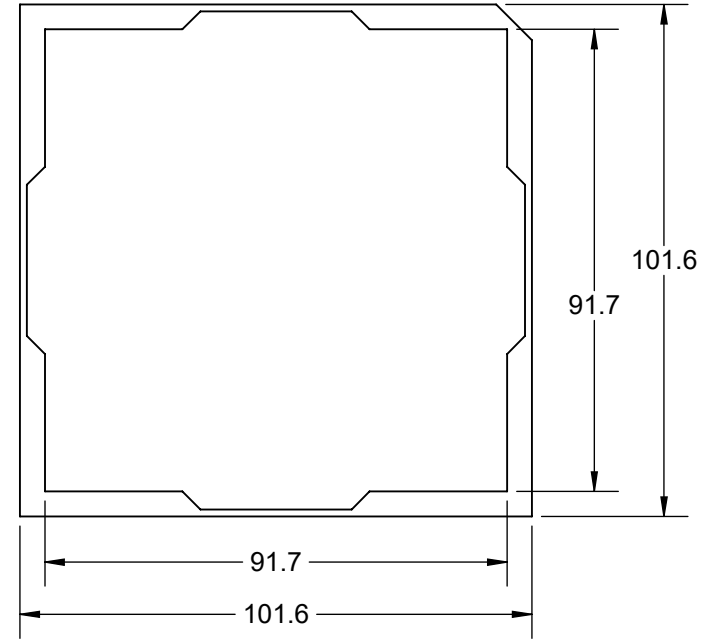
**TOP**



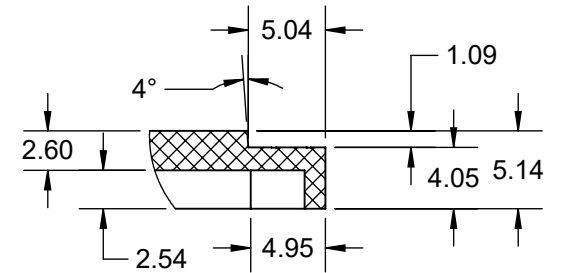
**SIDE**



**BOTTOM**

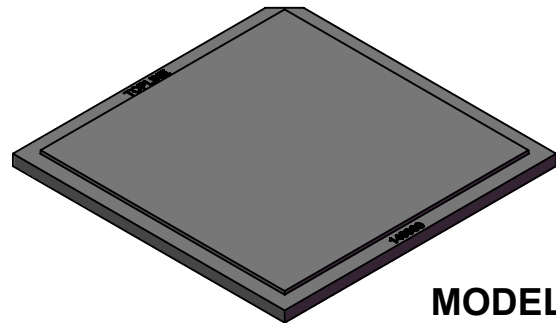


**SECTION A-A**



**DETAIL B  
SCALE 2 : 1**

DWG	TEMP	SURFACE RESISTIVITY
140900	90°C	10 <sup>5</sup> Ω



Notes: (Unless Otherwise Specified).  
 1) MATERIAL: PLASTIC, ESD SAFE.  
 2) DIMENSIONS: MM [inch].

APPROVALS	DATE	<b>TopLine®</b>			
DRAWN T. Au	4/01/2020	TITLE FP4-2.6-BLACK 4-INCH FLIP-PACK			
ENG M. Hart	4/01/2020				
MFG		SCALE	SIZE	DRAWING NO.	REV
QA		3:2	A	140900	A
CUST		DO NOT SCALE DRAWING			SHEET 1 OF 1
REVISED					