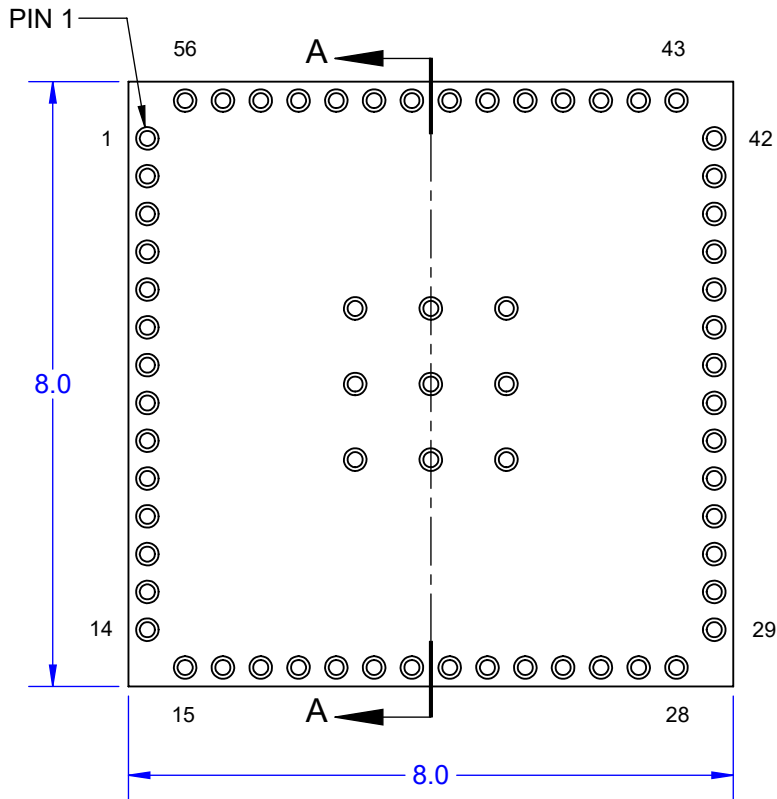
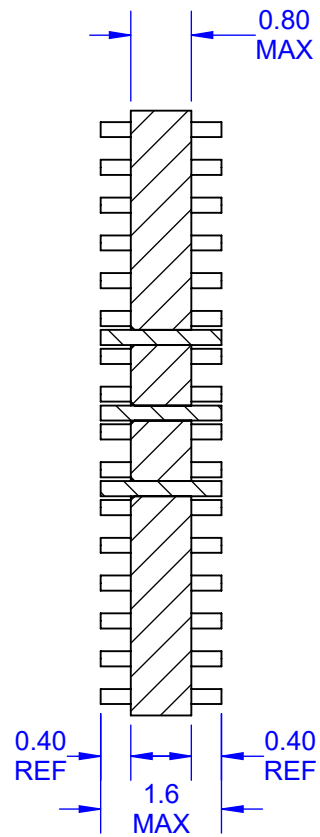


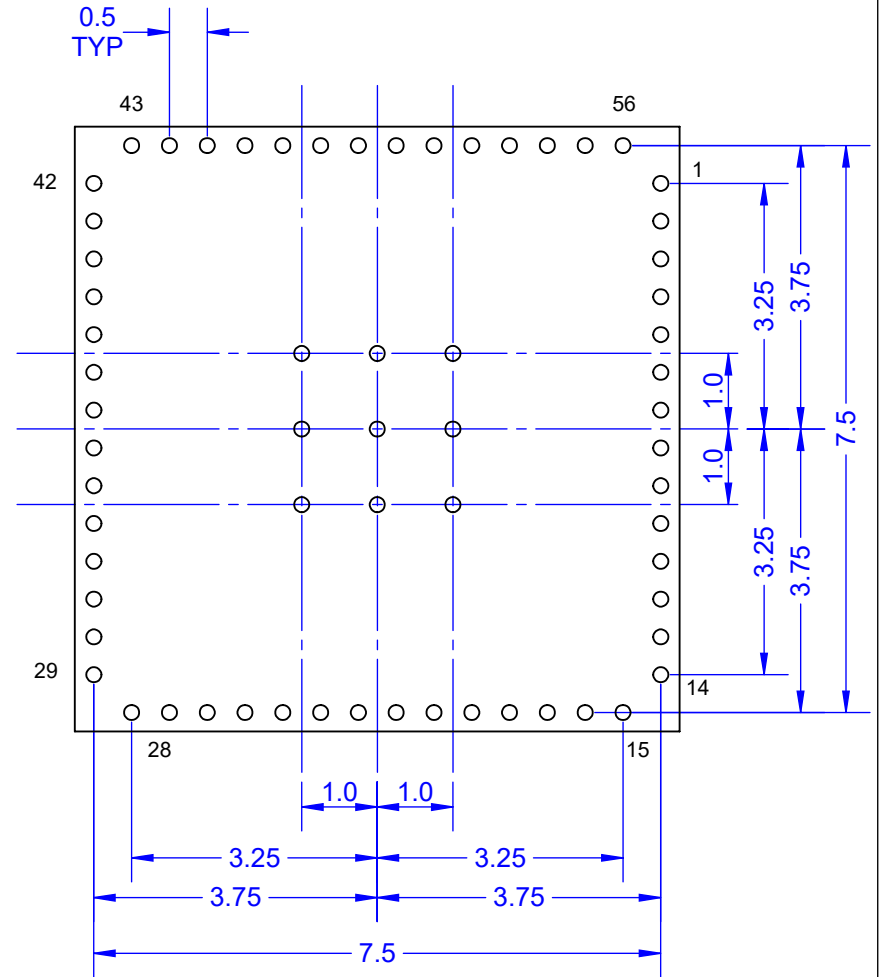
TOP VIEW



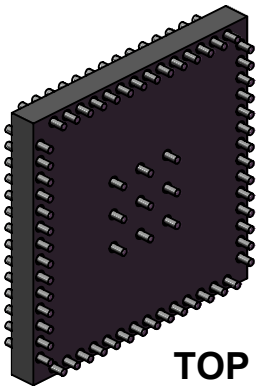
SIDE VIEW



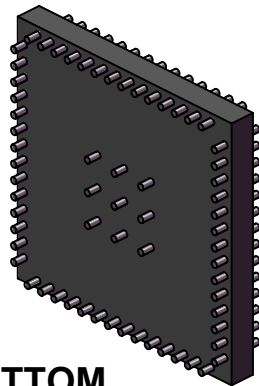
BOTTOM VIEW



MODEL



TOP



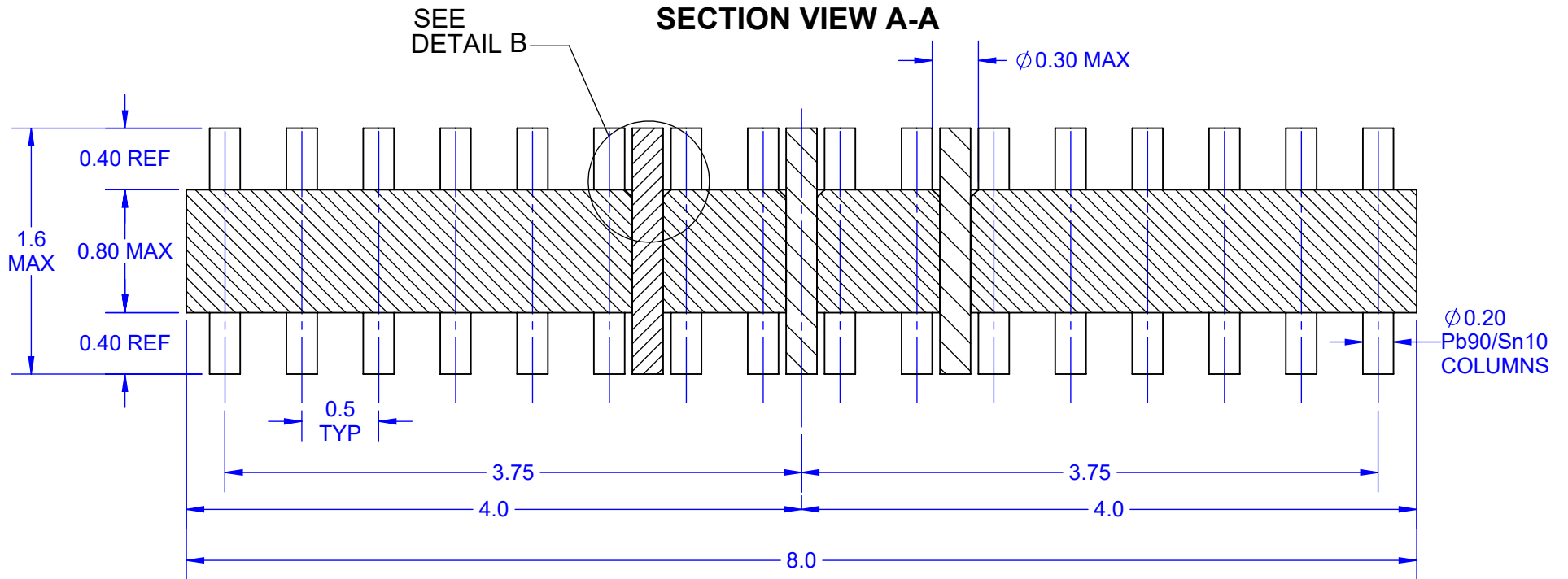
BOTTOM

NOTES: (Unless Otherwise Specified)

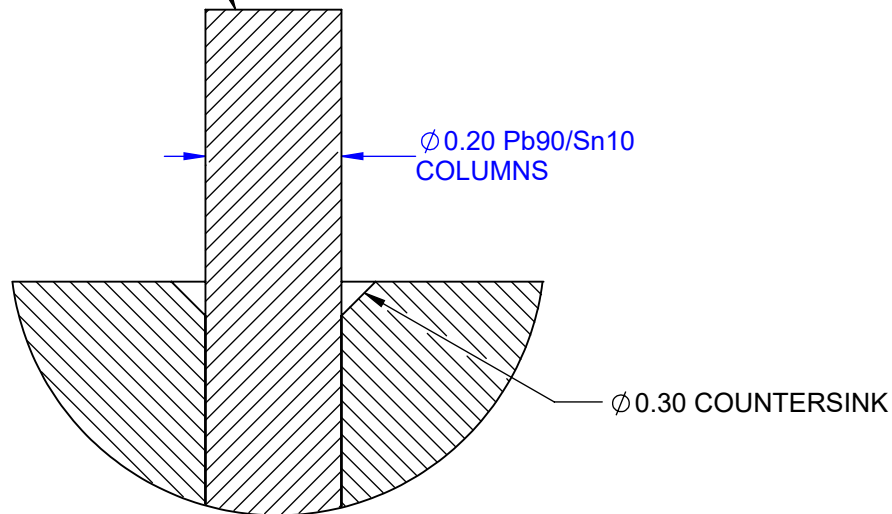
1. DIMENSIONS MM
2. PIN ALLOY: Pb90/Sn10

APPROVALS	DATE	TopLine®			
DRAWN T. Au	9/22/2021				
ENG M. Hart	9/22/2021	TITLE IP90U56B8x60A Pb90 Sn10 COLUMN INTERPOSER			
MFG		SCALE	SIZE	DRAWING NO.	REV
QA		10:1	A	351420	A
CUST		DO NOT SCALE DRAWING			SHEET 1 OF 5
REVISED					

SECTION VIEW A-A



PLANARIZED SURFACE
TOP AND BOTTOM



DETAIL B
SCALE 90 : 1

TopLine[®]

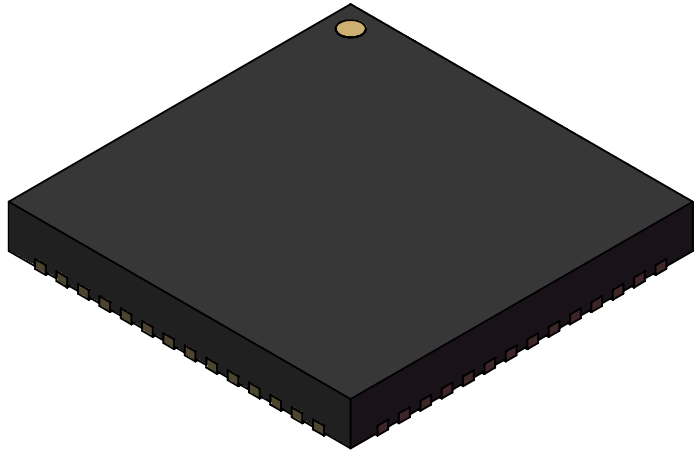
TITLE IP90U56B8x60A
Pb90 Sn10 COLUMN INTERPOSER

SCALE 45:1	SIZE A	DRAWING NO. 351420	REV A
---------------	-----------	-----------------------	----------

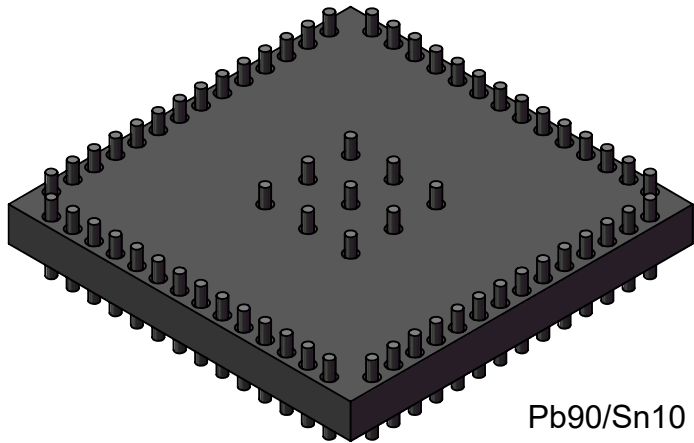
DO NOT SCALE DRAWING

SHEET 2 OF 5

**EXPLODED
VIEW**



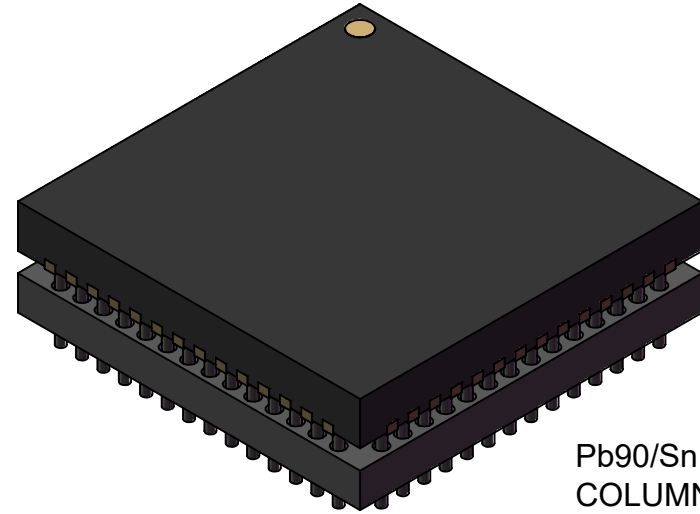
QFN 56



INTERPOSER

Pb90/Sn10
COLUMNS

**ASSEMBLY
VIEW**



QFN56

INTERPOSER

Pb90/Sn10
COLUMNS

TopLine[®]

TITLE IP90U56B8x60A
Pb90 Sn10 COLUMN INTERPOSER

SCALE 8:1	SIZE A	DRAWING NO. 351420	REV A
--------------	-----------	-----------------------	----------

DO NOT SCALE DRAWING

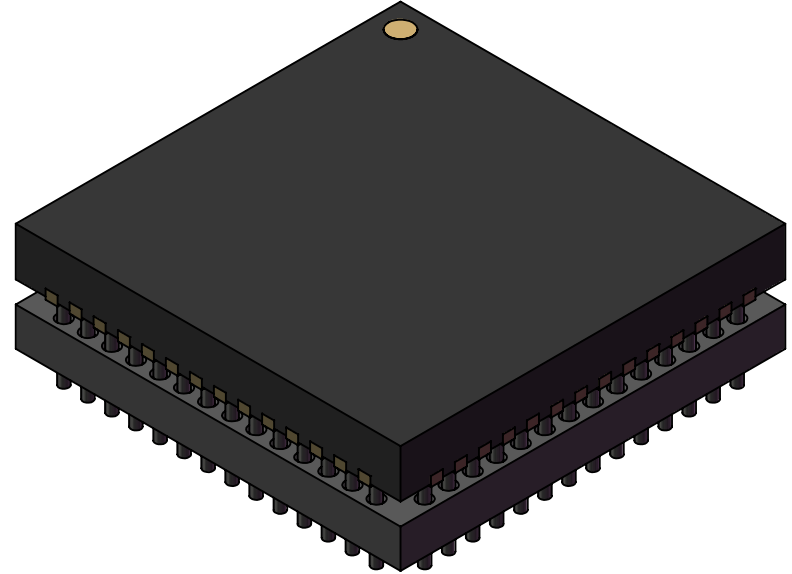
SHEET 3 OF 5

ASSEMBLY QFN WITH INTERPOSER

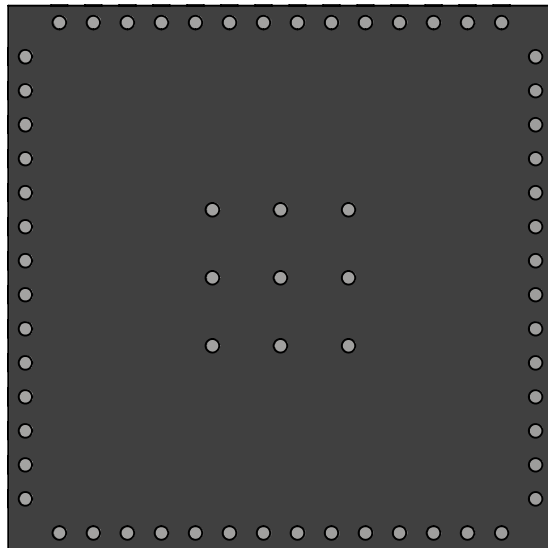
TOP VIEW



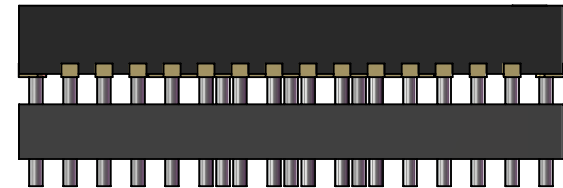
PERSPECTIVE



BOTTOM VIEW



SIDE VIEW



TopLine[®]

TITLE IP90U56B8x60A
Pb90 Sn10 COLUMN INTERPOSER

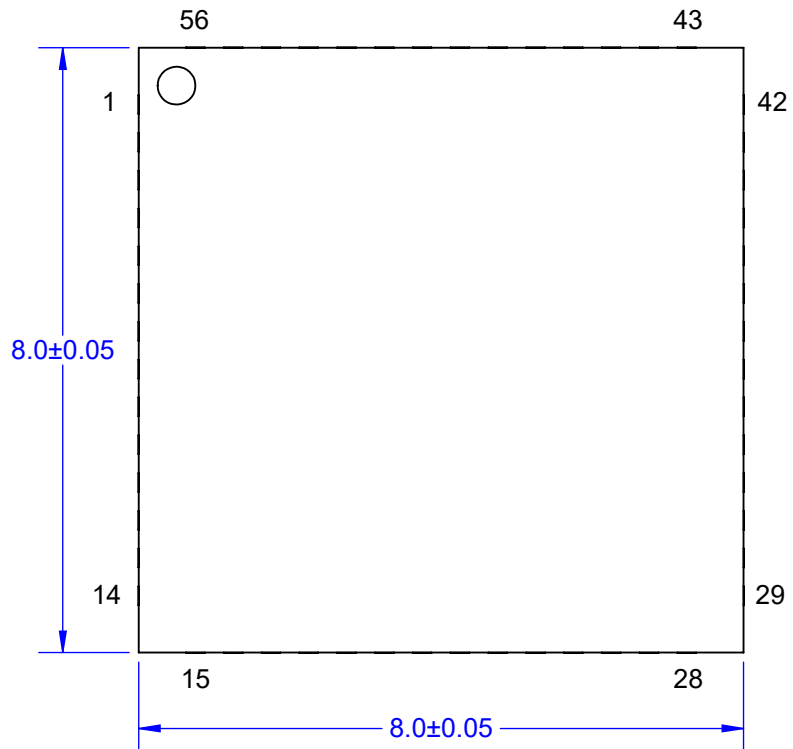
SCALE 8:1	SIZE A	DRAWING NO. 351420	REV A
--------------	-----------	-----------------------	----------

DO NOT SCALE DRAWING

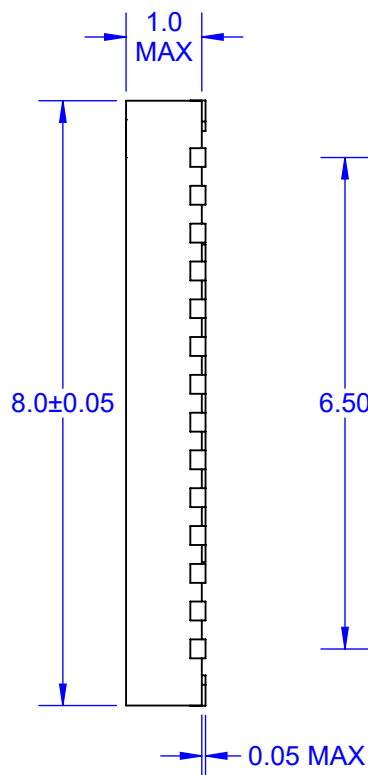
SHEET 4 OF 5

TYPICAL QFN56

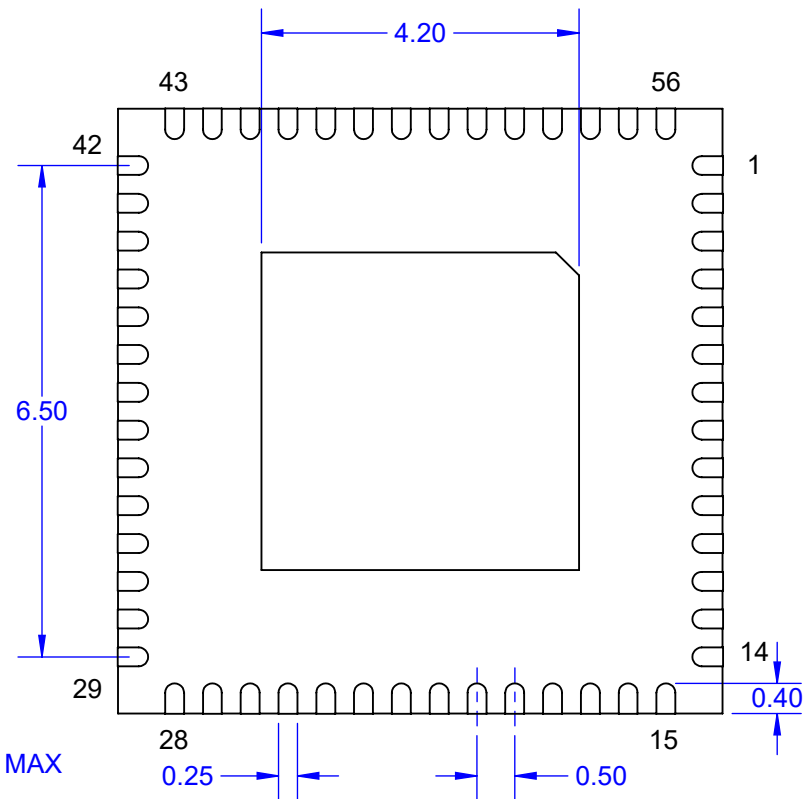
TOP VIEW



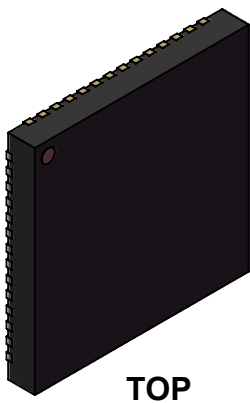
SIDE VIEW



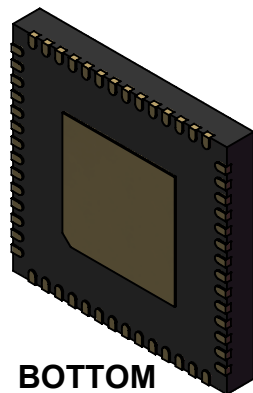
BOTTOM VIEW



MODEL



TOP



BOTTOM

Notes: (Unless Otherwise Specified).

- 1) BODY: PLASTIC, SEMICONDUCTOR GRADE.
- 2) LEAD FRAME: COPPER, C-194 F/H.
- 3) LEAD FRAME PLATING: NiPdAu or Sn100.
- 4) FRAME THICKNESS: 0.203mm.
- 5) DIE PAD: 4.2x4.2mm EXPOSED BOTTOM.
- 6) JEDEC OUTLINE: MO-220.
- 7) DIMENSIONS IN mm.

TopLine[®]

TITLE IP90U56B8x60A
Pb90 Sn10 COLUMN INTERPOSER

SCALE	SIZE	DRAWING NO.	REV
10:1	A	351420	A

DO NOT SCALE DRAWING

SHEET 5 OF 5