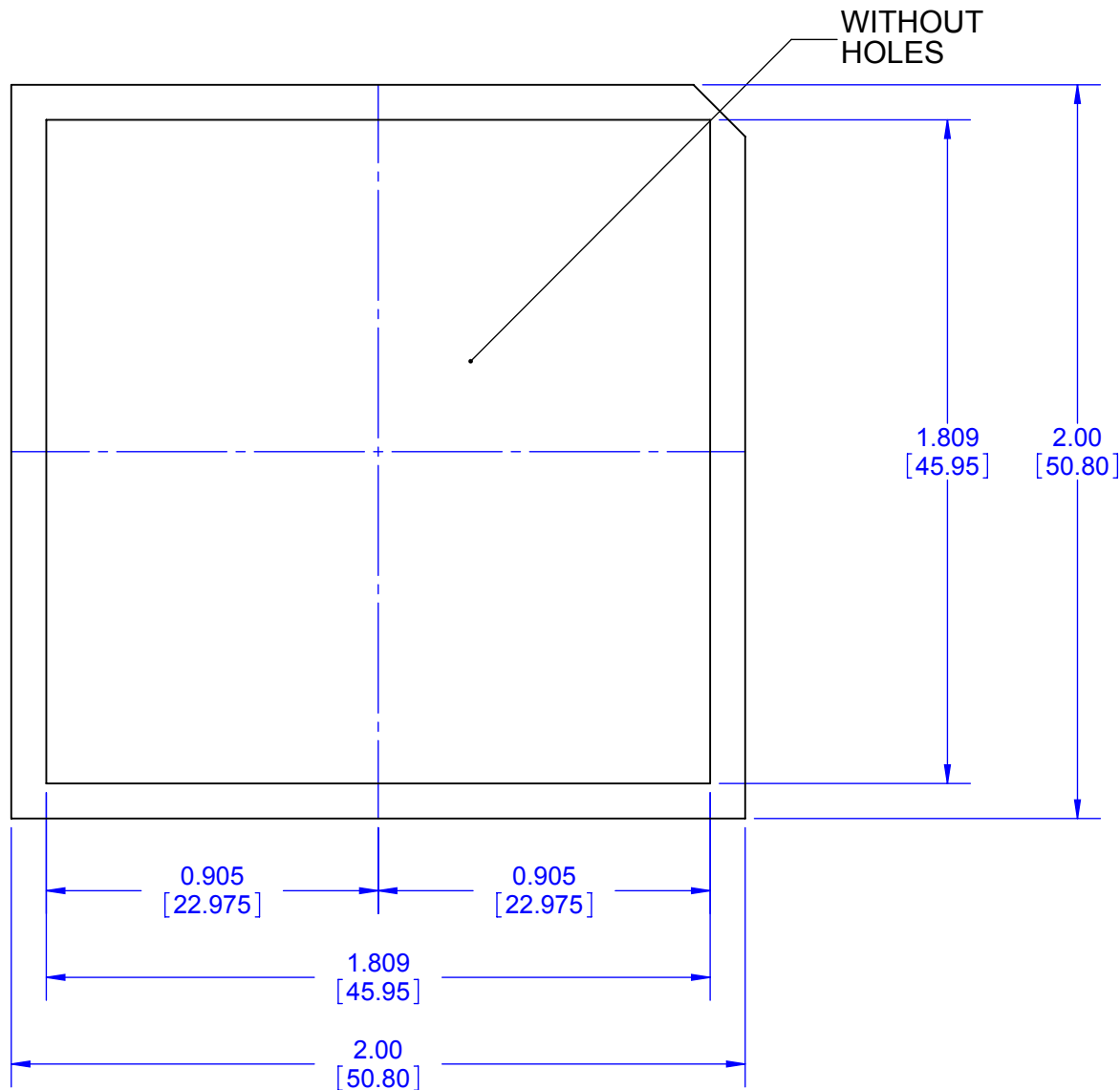
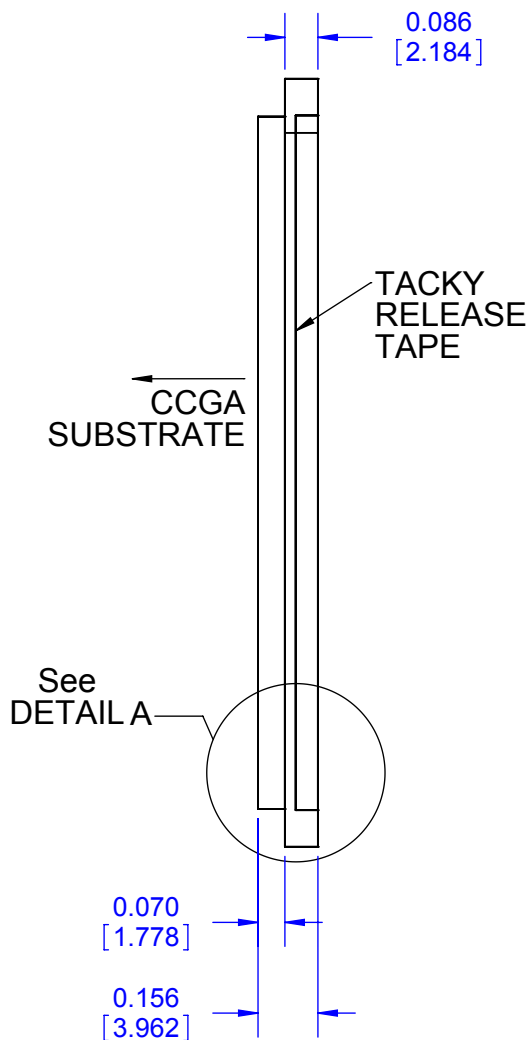
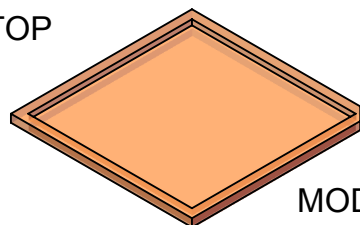


SIDE

TOP VIEW



TOP

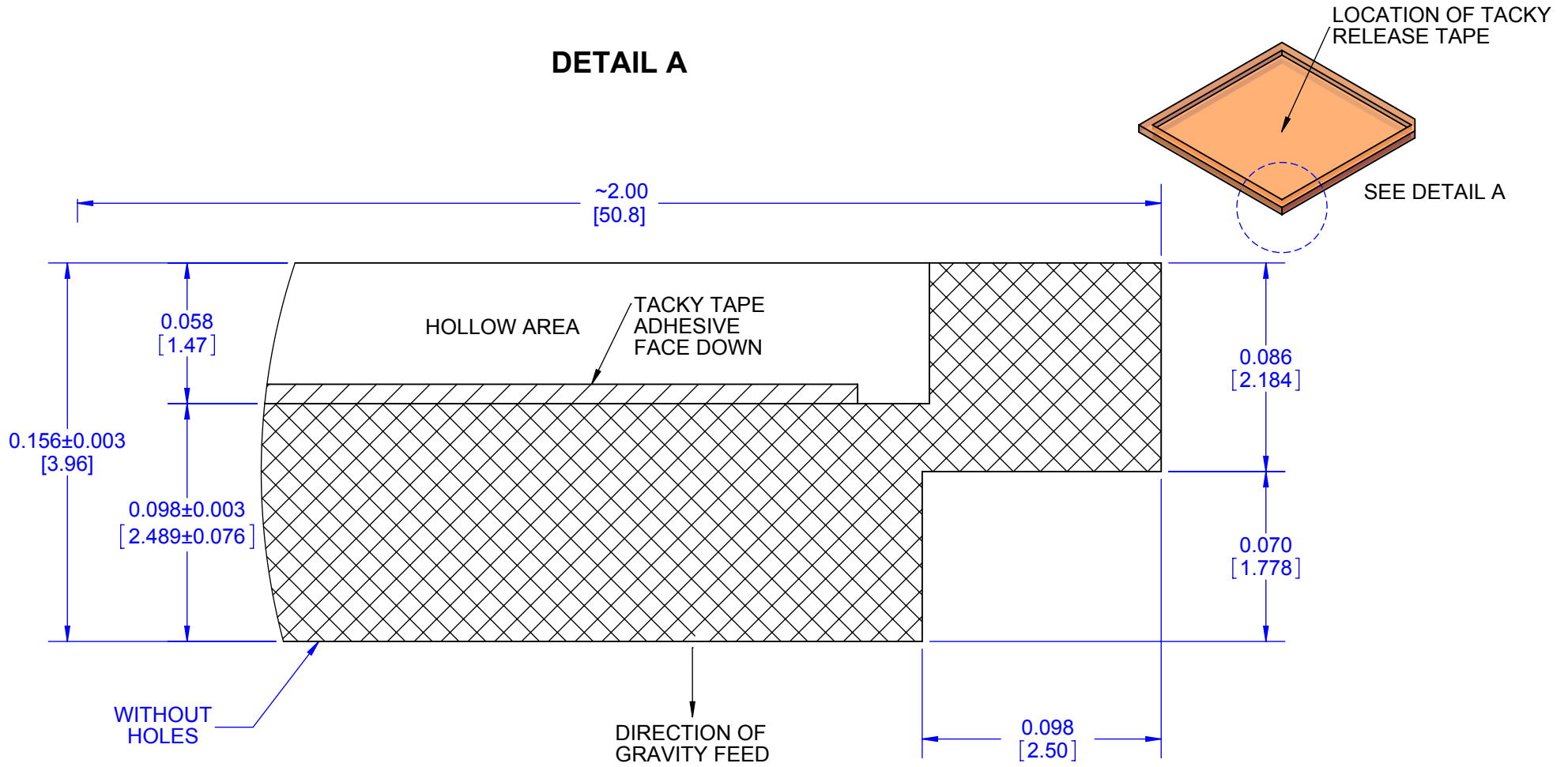


MODEL

NOTES:
1. DIMENSIONS INCHES [MM].
2. SHOWN WITH MAXIMUM ARRAY.

APPROVALS	DATE	TopLine®			
DRAWN T.Au	10/25/14				
ENG M. Hart	10/25/14	TITLE PN9999 PIN-PACK™ PRACTICE DUMMY CARRIER			
MFG		SCALE	SIZE	DRAWING NO.	REV
QA		2:1	A	009999	A
CUST		DO NOT SCALE DRAWING			SHEET 1 OF 6
REVISED					

DETAIL A



NOTES:
1. DIMENSIONS INCHES [MM].

TopLine®			
TITLE PN9999 PIN-PACK™ PRACTICE DUMMY CARRIER			
SCALE 16:1	SIZE A	DRAWING NO. 009999	REV A
DO NOT SCALE DRAWING			SHEET 2 OF 6

PART NUMBER TABLE

PIN-PACK™	Pins	Pitch	Matrix	COLUMN				Empty DWG
				Alloy	Construction	∅ Dia	Length	
PN9999	NONE	NONE	NONE	NONE	NONE	NONE	NONE	009999

EXAMPLES OF COLUMNS

PP83



Pb80/Sn20
Cu RIBBON

PP90



Pb90/Sn10

PP17



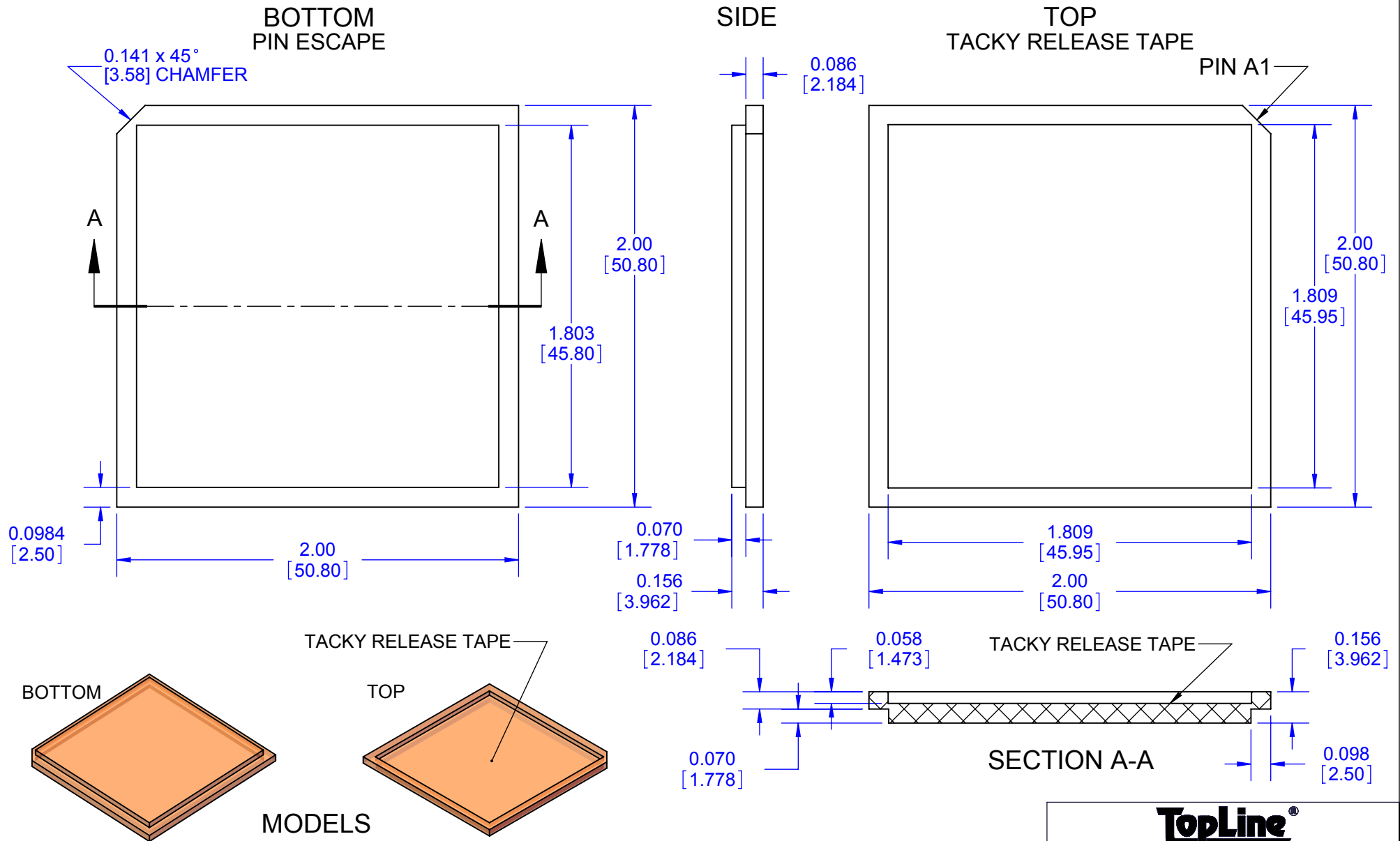
Micro-Coil
Spring



TITLE PN9999 PIN-PACK™
PRACTICE DUMMY CARRIER

SCALE NONE	SIZE A	DRAWING NO. 009999	REV A
---------------	-----------	-----------------------	----------

PIN-PACK™ OUTLINE

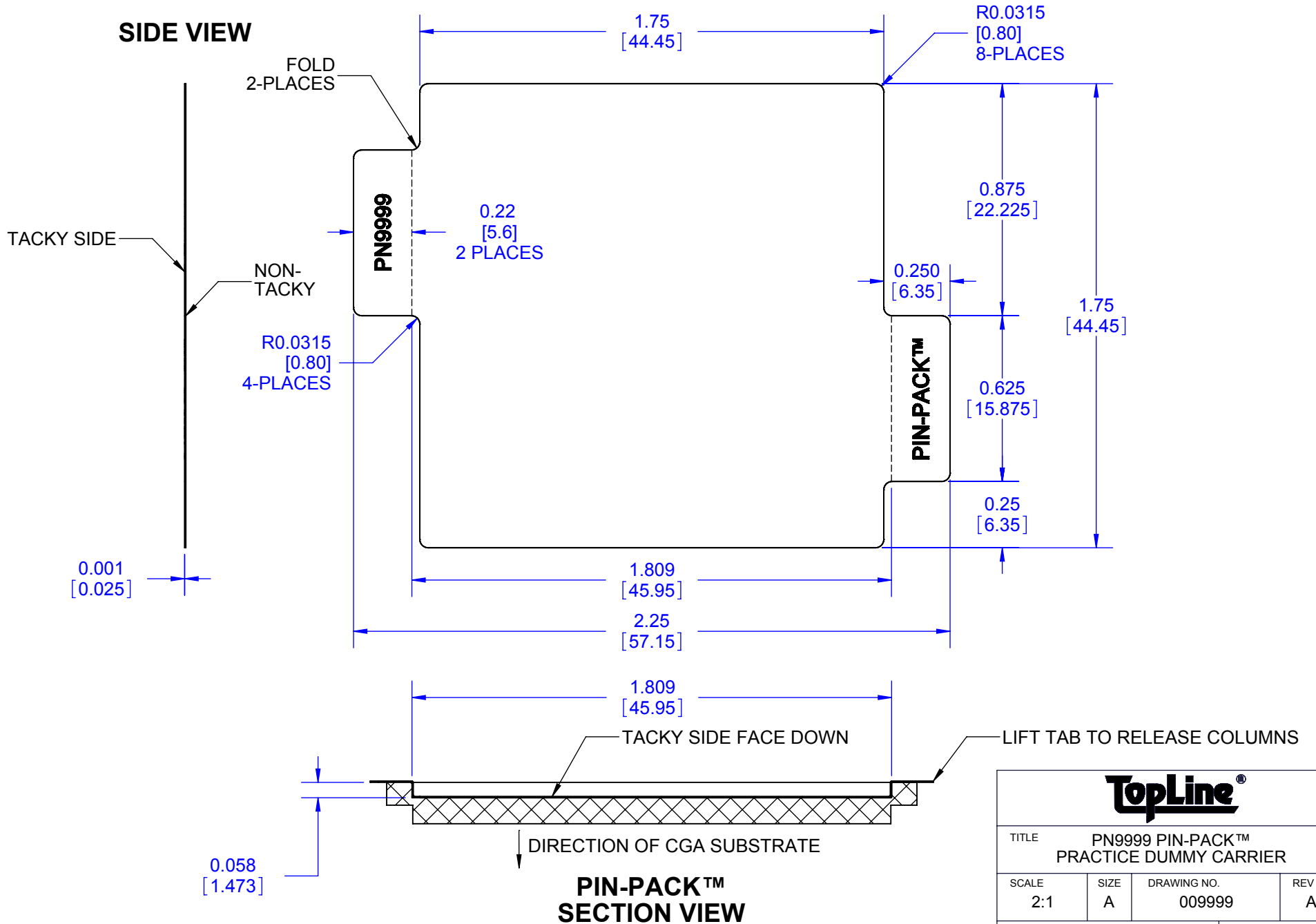


NOTES:

1. DIMENSIONS INCHES [MM].
2. SHOWN WITHOUT HOLES FOR CLARITY.
3. PIN-PACK™ IS TRADEMARK OF TOPLINE.
4. PIN-PACK™ PATENT PENDING.

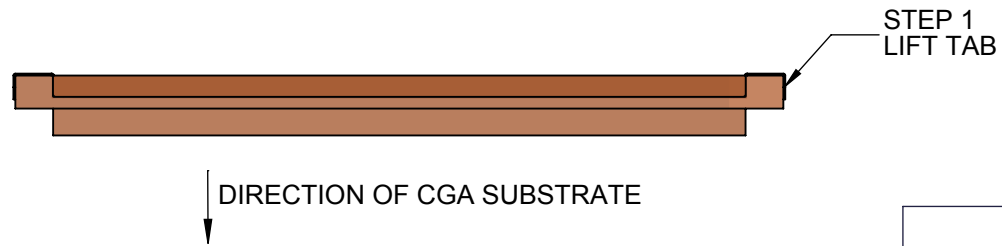
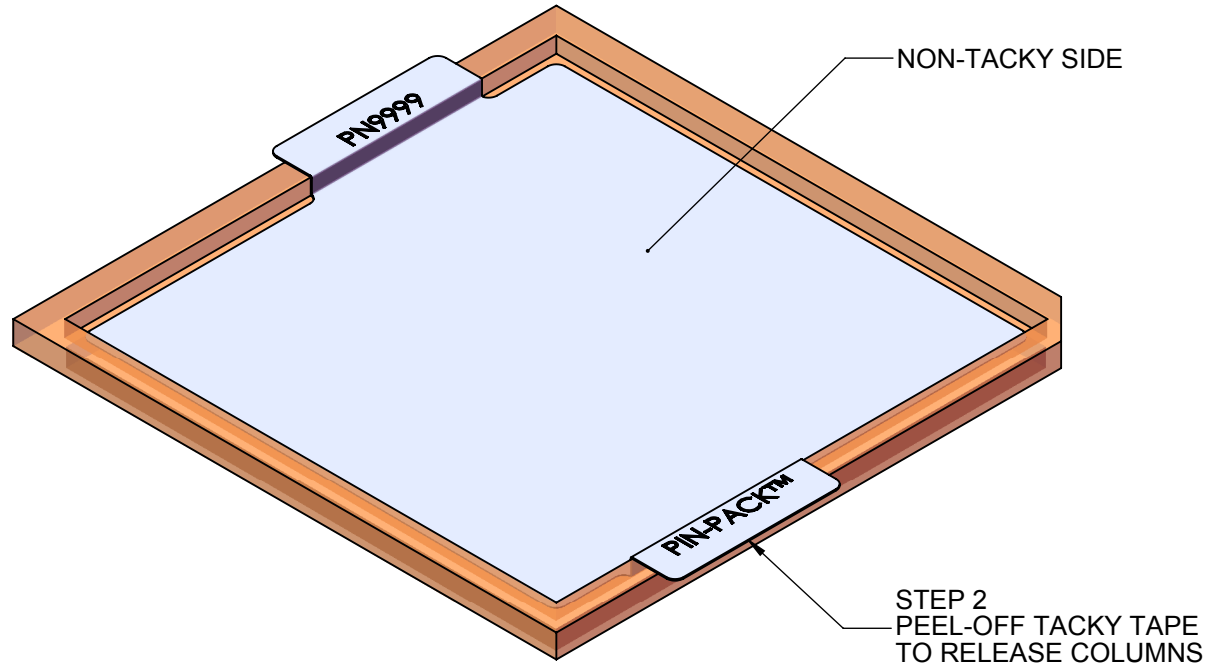
TopLine®			
TITLE PN9999 PIN-PACK™ PRACTICE DUMMY CARRIER			
SCALE	SIZE	DRAWING NO.	REV
3:2	A	009999	A
DO NOT SCALE DRAWING			SHEET 4 OF 6

TACKY RELEASE TAPE TOP VIEW



TopLine®			
TITLE PN9999 PIN-PACK™ PRACTICE DUMMY CARRIER			
SCALE 2:1	SIZE A	DRAWING NO. 009999	REV A
DO NOT SCALE DRAWING			SHEET 5 OF 6

TACKY RELEASE TAPE MODEL



TopLine®			
TITLE PN9999 PIN-PACK™ PRACTICE DUMMY CARRIER			
SCALE 2:1	SIZE A	DRAWING NO. 009999	REV A
DO NOT SCALE DRAWING			SHEET 6 OF 6