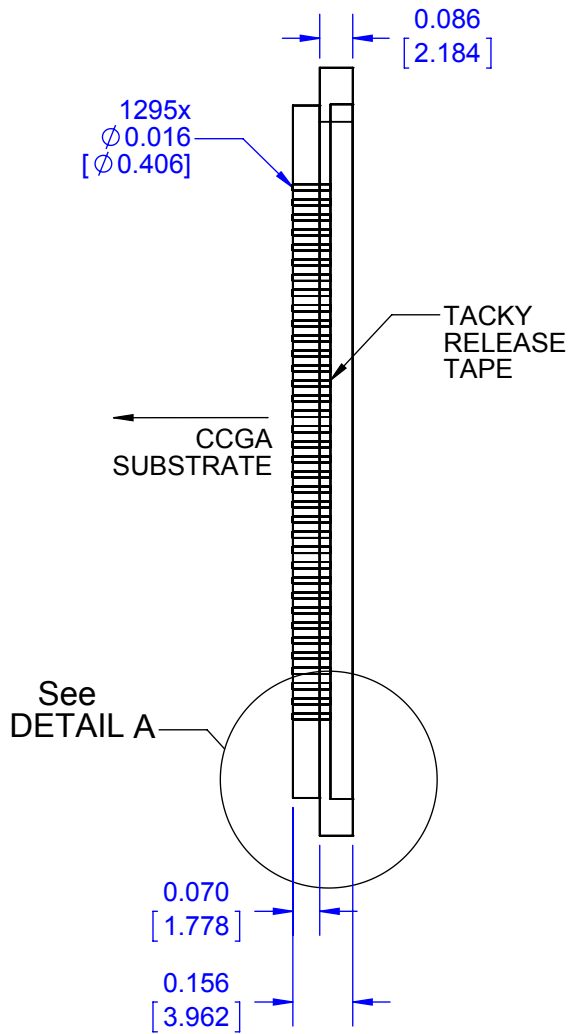
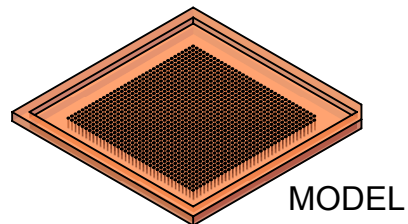
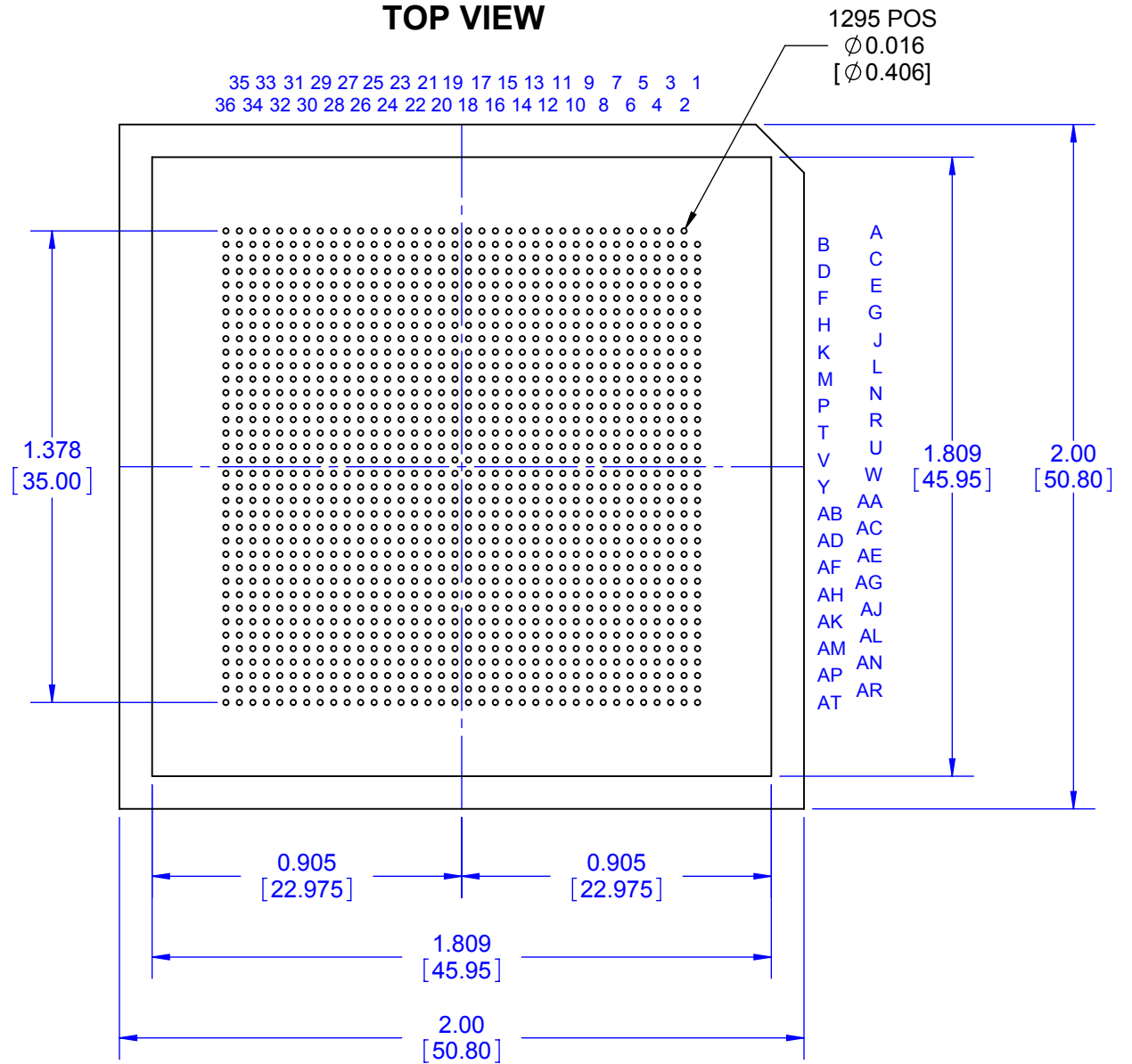


SIDE



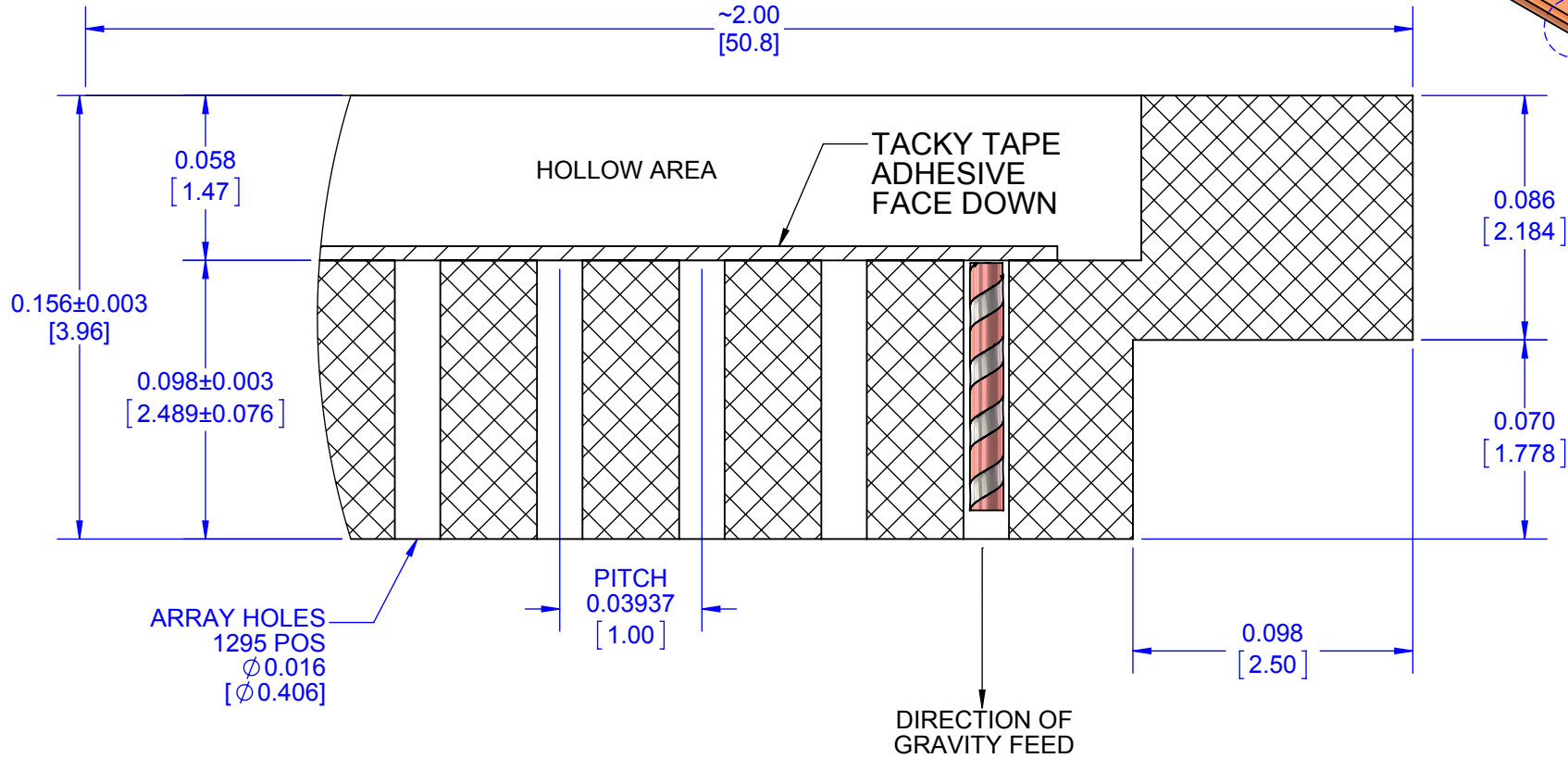
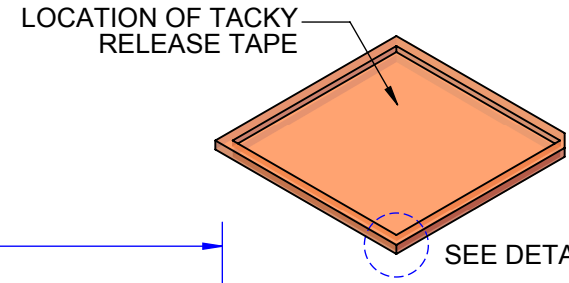
TOP VIEW



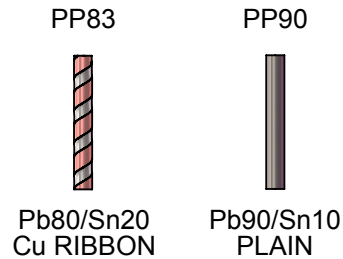
NOTES:
1. DIMENSIONS INCHES [MM].
2. SHOWN WITH MAXIMUM ARRAY.

TopLine®			
TITLE PP1295B Pin-PACK™ Ø0.30mm CCGA COLUMN CARRIER			
SCALE 2:1	SIZE A	DRAWING NO. 001362	REV A
DO NOT SCALE DRAWING			SHEET 1 OF 8

DETAIL A



EXAMPLES OF COLUMNS



NOTES:
1. DIMENSIONS INCHES [MM].

TopLine[®]

TITLE PP1295B Pin-PACK™ Ø0.30mm
CCGA COLUMN CARRIER

SCALE	SIZE	DRAWING NO.	REV
16:1	A	001362	A

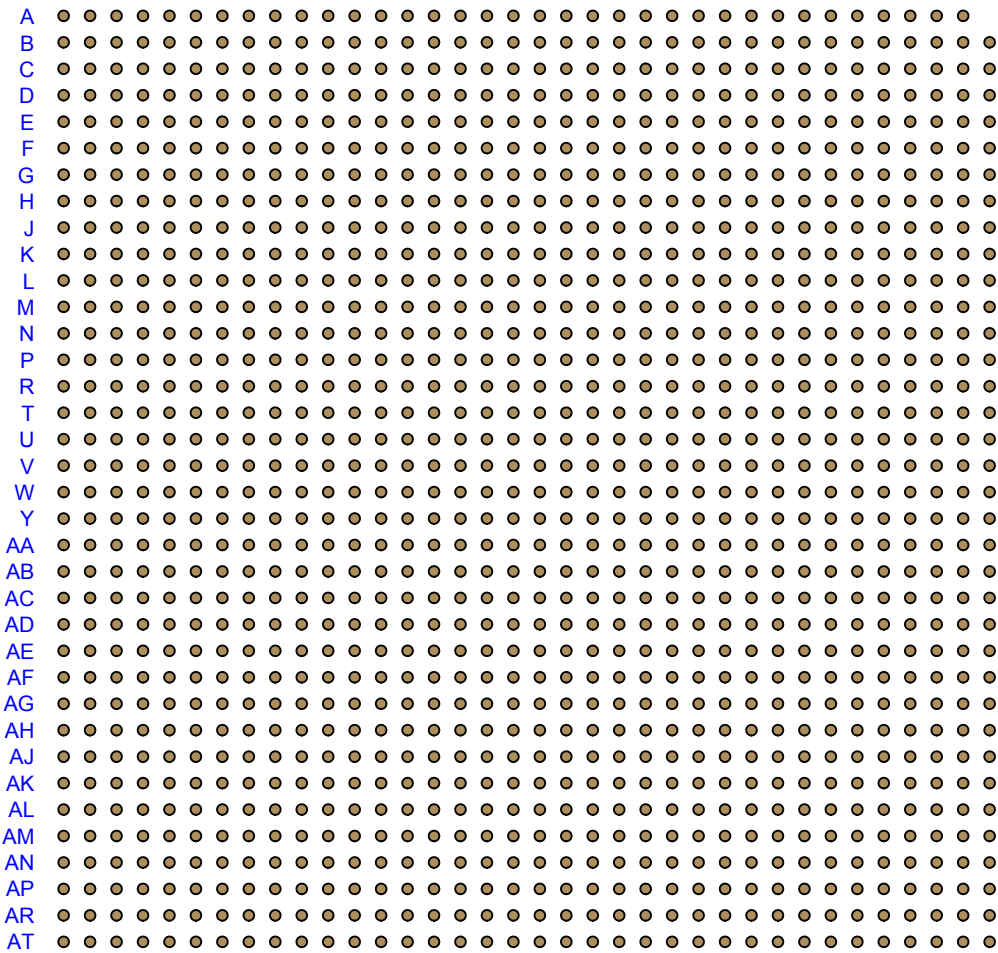
DO NOT SCALE DRAWING

SHEET 2 OF 8

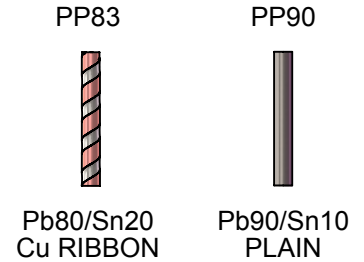
PART NUMBER TABLE

PIN-PACK™	Pins	Pitch	Matrix	COLUMN BEFORE TRIM				Empty DWG	Filled DWG
				Alloy	Construction	∅ Dia	Length		
PP83C1295E12x87A PP90U1295E12x87A	1295	1.00mm	36x36	Pb80 Pb90	Cu Ribbon Plain	0.30mm	2.2mm 2.2mm	001362	831362 901362

36 35 34 33 32 31 30 29 28 27 26 25 24 23 22 21 20 19 18 17 16 15 14 13 12 11 10 9 8 7 6 5 4 3 2 1



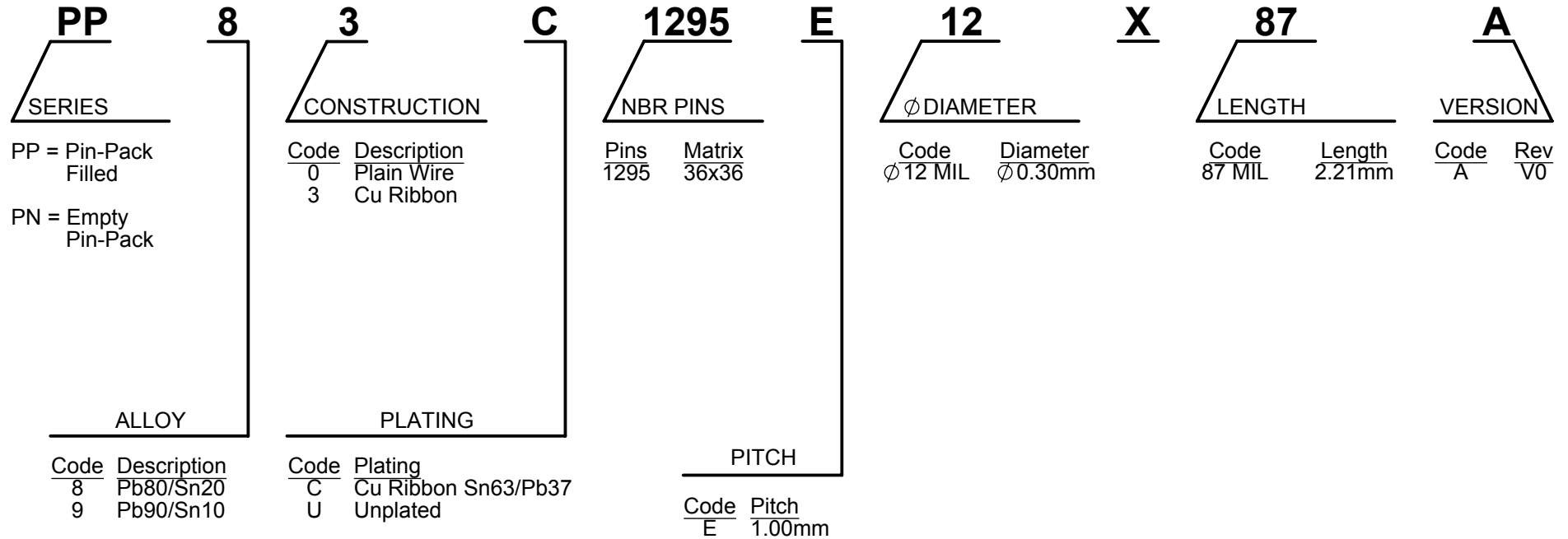
EXAMPLES OF COLUMNS



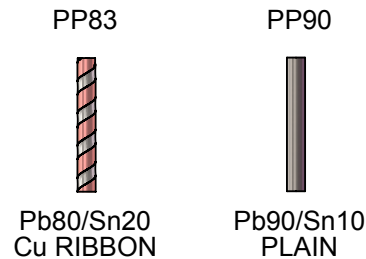
TITLE PP1295B Pin-PACK™ ∅0.30mm
CCGA COLUMN CARRIER

SCALE NONE	SIZE A	DRAWING NO. 001362	REV A
---------------	-----------	-----------------------	----------

PIN-PACK™ PART NUMBERING SYSTEM



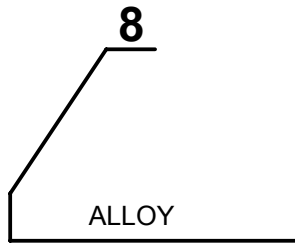
EXAMPLES OF COLUMNS



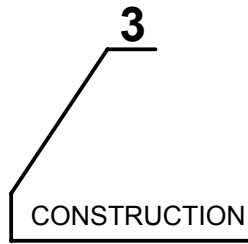
NOTE 1: PP83 and PP93 REQUIRES TRIMMING TO FINISHED LENGTH.
NOTE 2: COLUMN 2.21mm TO BE TRIMMED TO 2.11mm AFTER ATTACHMENT.

TopLine®			
TITLE PP1295B Pin-PACK™ Ø 0.30mm CCGA COLUMN CARRIER			
SCALE 10:1	SIZE A	DRAWING NO. 001362	REV A
DO NOT SCALE DRAWING			SHEET 4 OF 8

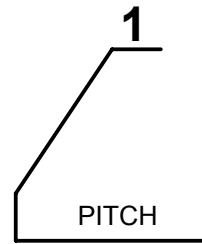
PIN-PACK™ DRAWING NUMBERING SYSTEM



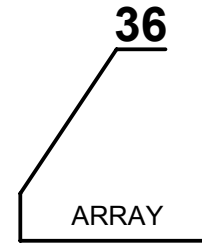
Code	Description
00	Empty
8	Pb80/Sn20
9	Pb90/Sn10



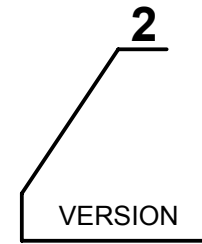
Code	Description
0	Plain Wire
3	Cu Ribbon



Code	Pitch
1	1.0mm



Code	Matrix
36	36x36



Code	Rev
2	1295 PINS 0.30mm

EXAMPLES OF COLUMNS

PP83



Pb80/Sn20
Cu RIBBON

PP90



Pb90/Sn10
PLAIN

TopLine®

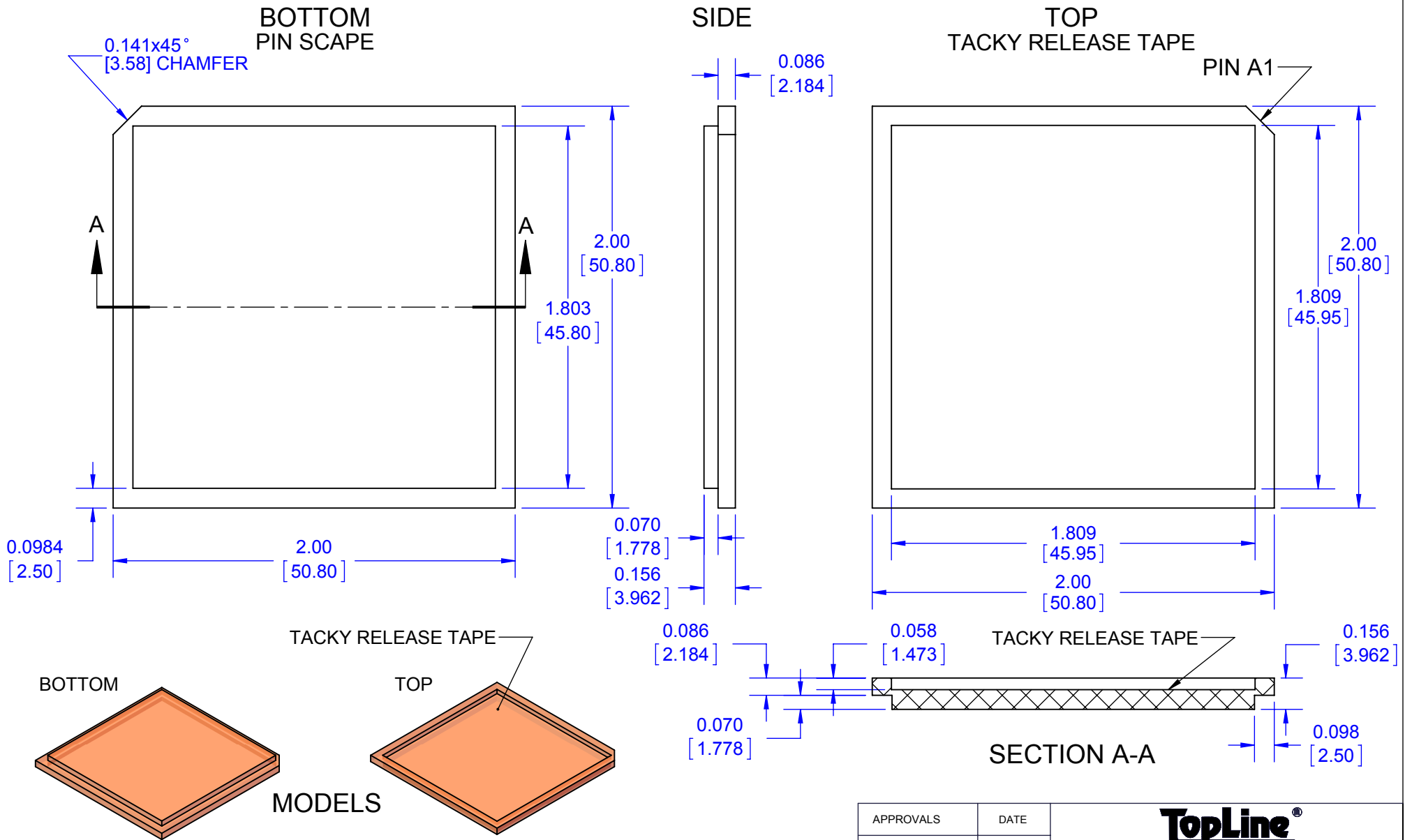
TITLE PP1295B Pin-PACK™ Ø0.30mm
CCGA COLUMN CARRIER

SCALE	SIZE	DRAWING NO.	REV
10:1	A	001362	A

DO NOT SCALE DRAWING

SHEET 5 OF 8

PIN-PACK™ OUTLINE

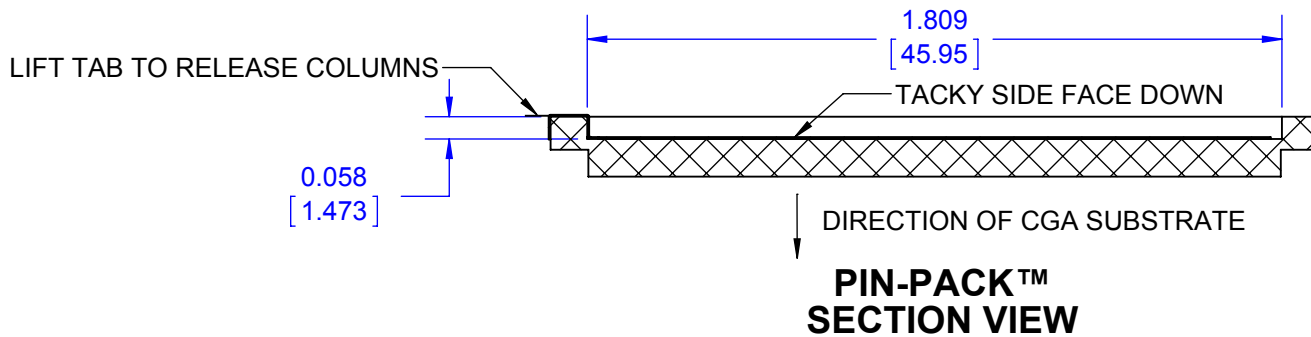
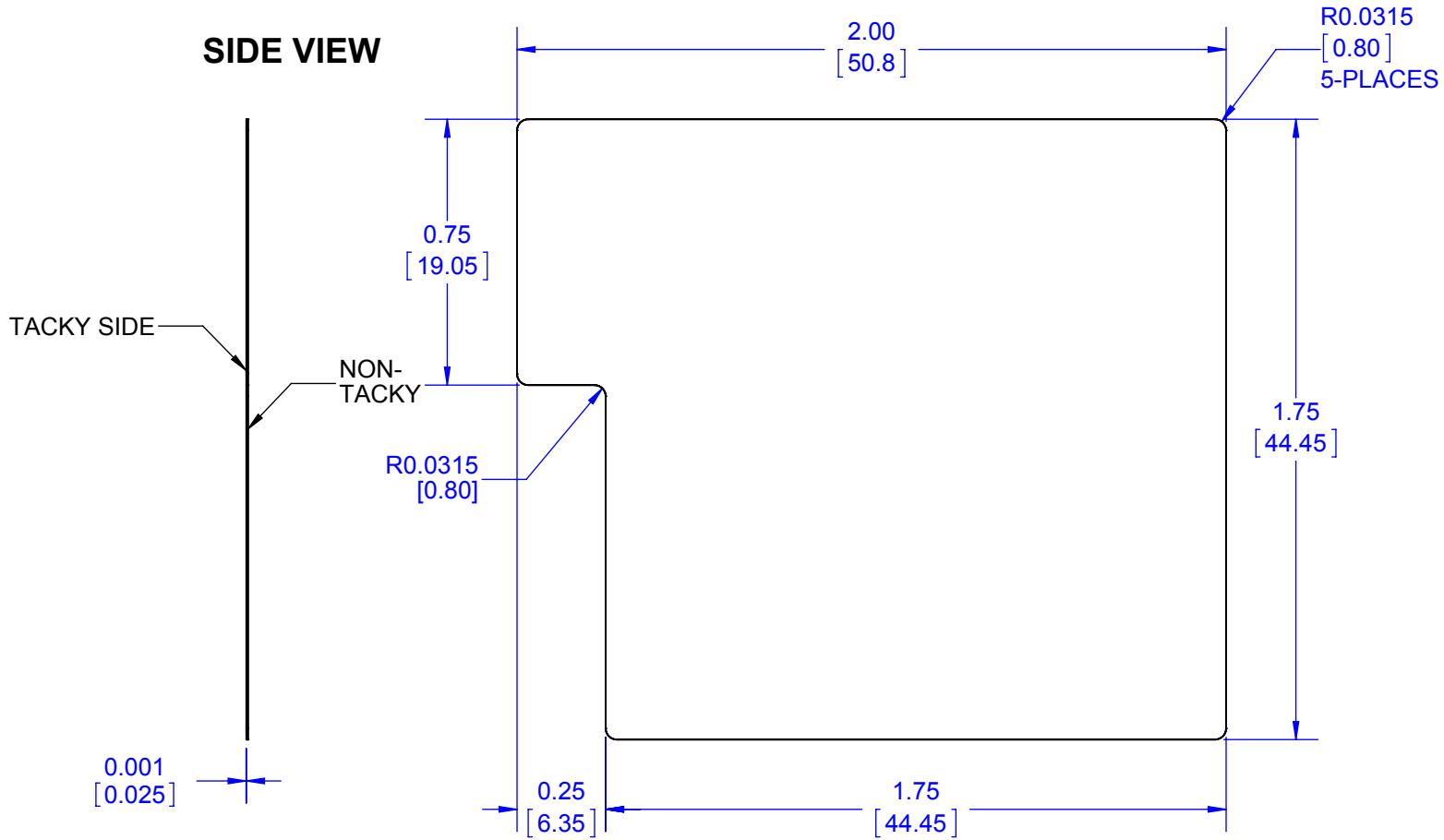


NOTES:

1. DIMENSIONS INCHES [MM].
2. SHOWN WITHOUT HOLES FOR CLARITY.
3. PIN-PACK™ IS TRADEMARK OF TOPLINE.
4. PIN-PACK™ PATENT PENDING.

APPROVALS	DATE	TopLine®			
DRAWN T.Au	05/05/15				
ENG M. Hart	05/05/15	TITLE PP1295B Pin-PACK™ Ø0.30mm CCGA COLUMN CARRIER			
MFG		SCALE	SIZE	DRAWING NO.	REV
QA		3:2	A	001362	A
CUST		DO NOT SCALE DRAWING			SHEET 6 OF 8
REVISED					

TACKY RELEASE TAPE TOP VIEW



TopLine®

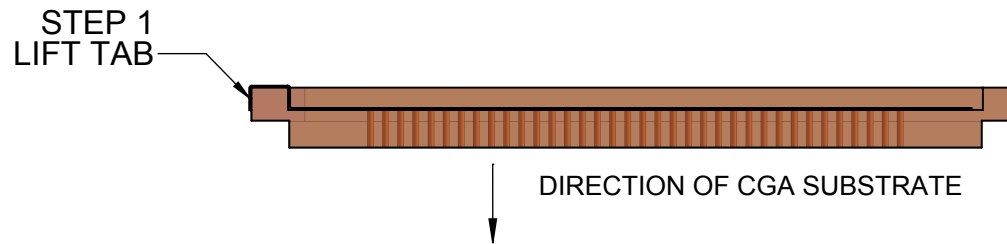
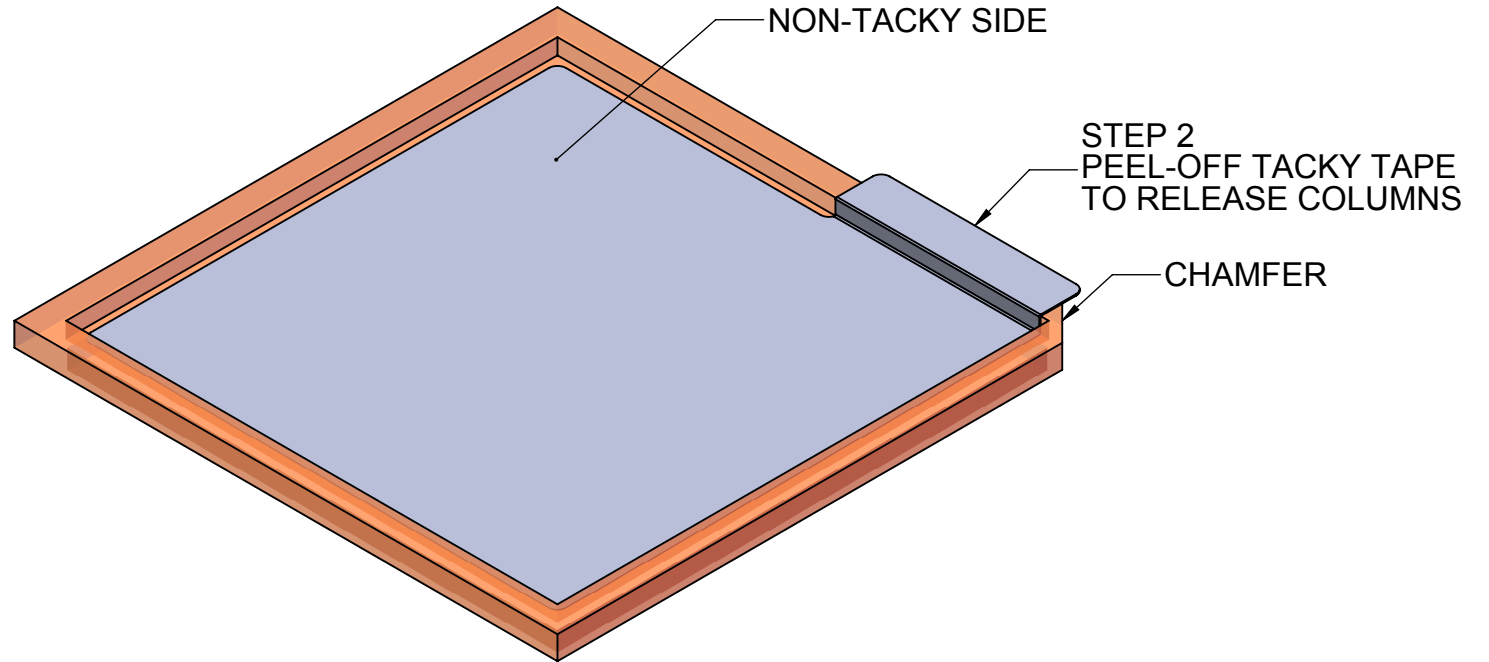
TITLE PP1295B Pin-PACK™ Ø0.30mm
CCGA COLUMN CARRIER

SCALE	SIZE	DRAWING NO.	REV
2:1	A	001362	B

DO NOT SCALE DRAWING

SHEET 7 OF 8

TACKY RELEASE TAPE MODEL



TopLine[®]

TITLE PP1295B Pin-PACK™ Ø0.30mm
CCGA COLUMN CARRIER

SCALE	SIZE	DRAWING NO.	REV
1.5:1	A	001362	B

DO NOT SCALE DRAWING

SHEET 8 OF 8