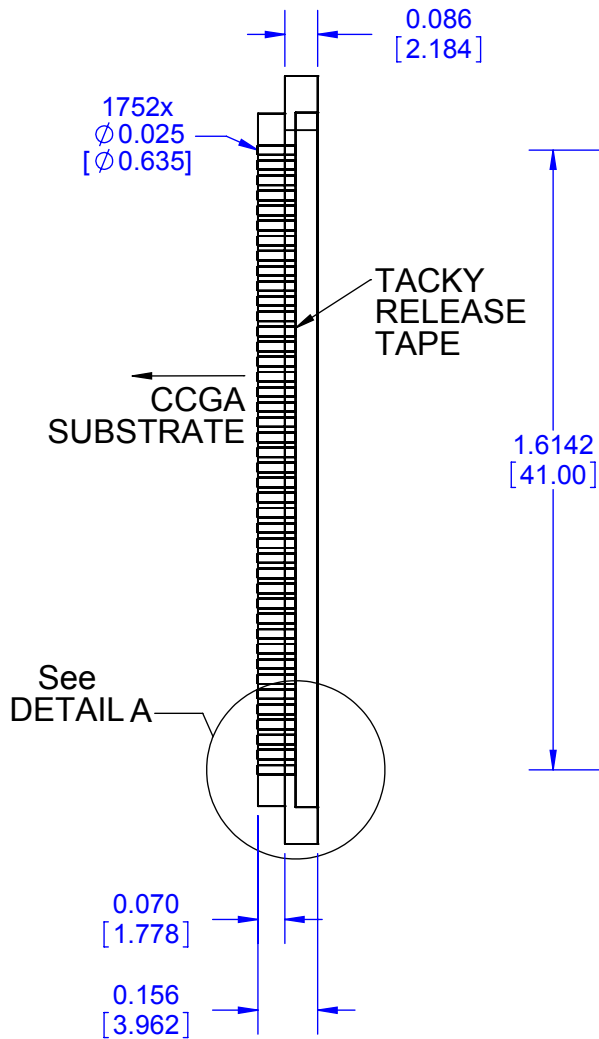


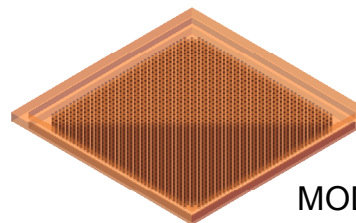
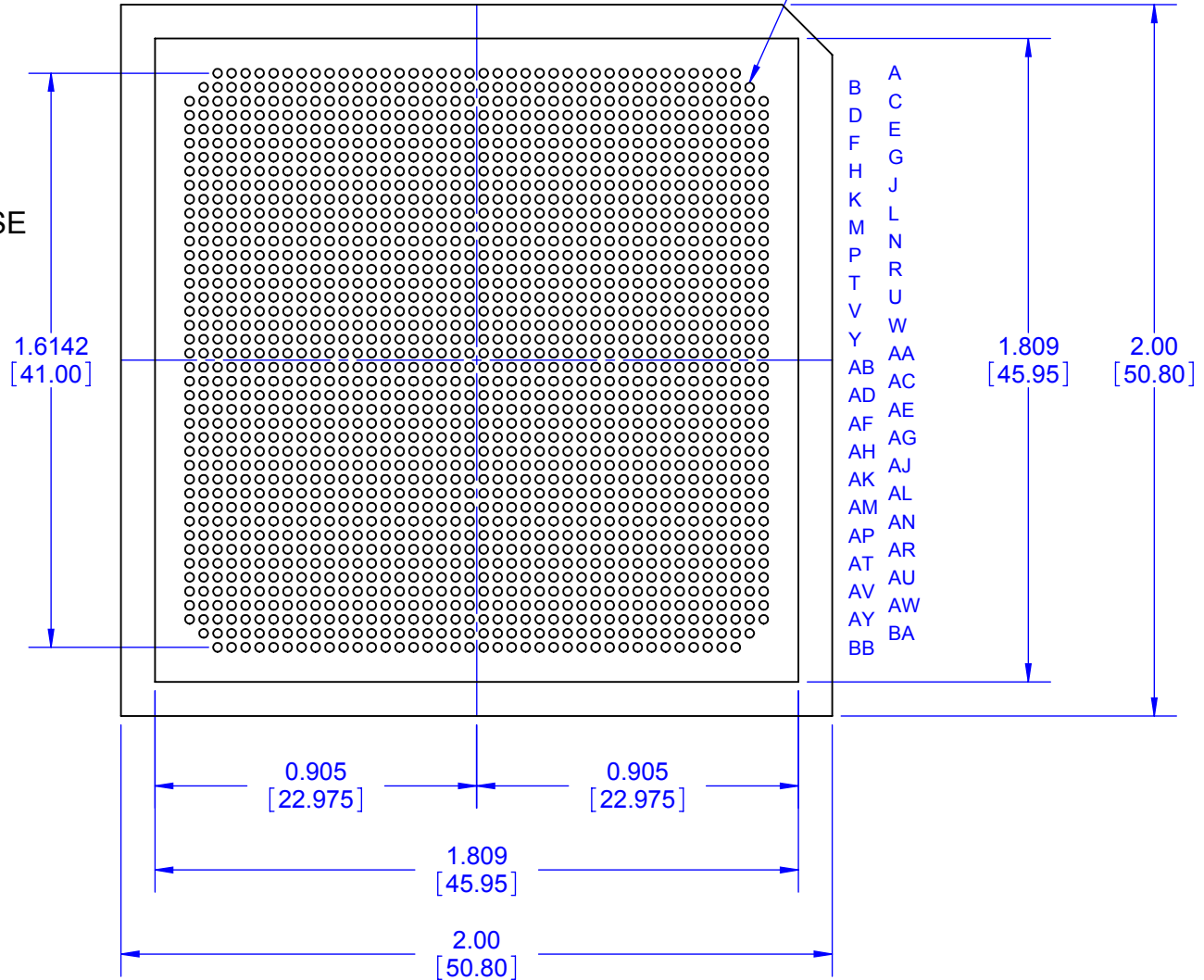
**SIDE**

**TOP VIEW**



41 39 37 35 33 31 29 27 25 23 21 19 17 15 13 11 9 7 5 3 1  
42 40 38 36 34 32 30 28 26 24 22 20 18 16 14 12 10 8 6 4 2

1752 POS  
 $\varnothing 0.025$   
[ $\varnothing 0.635$ ]

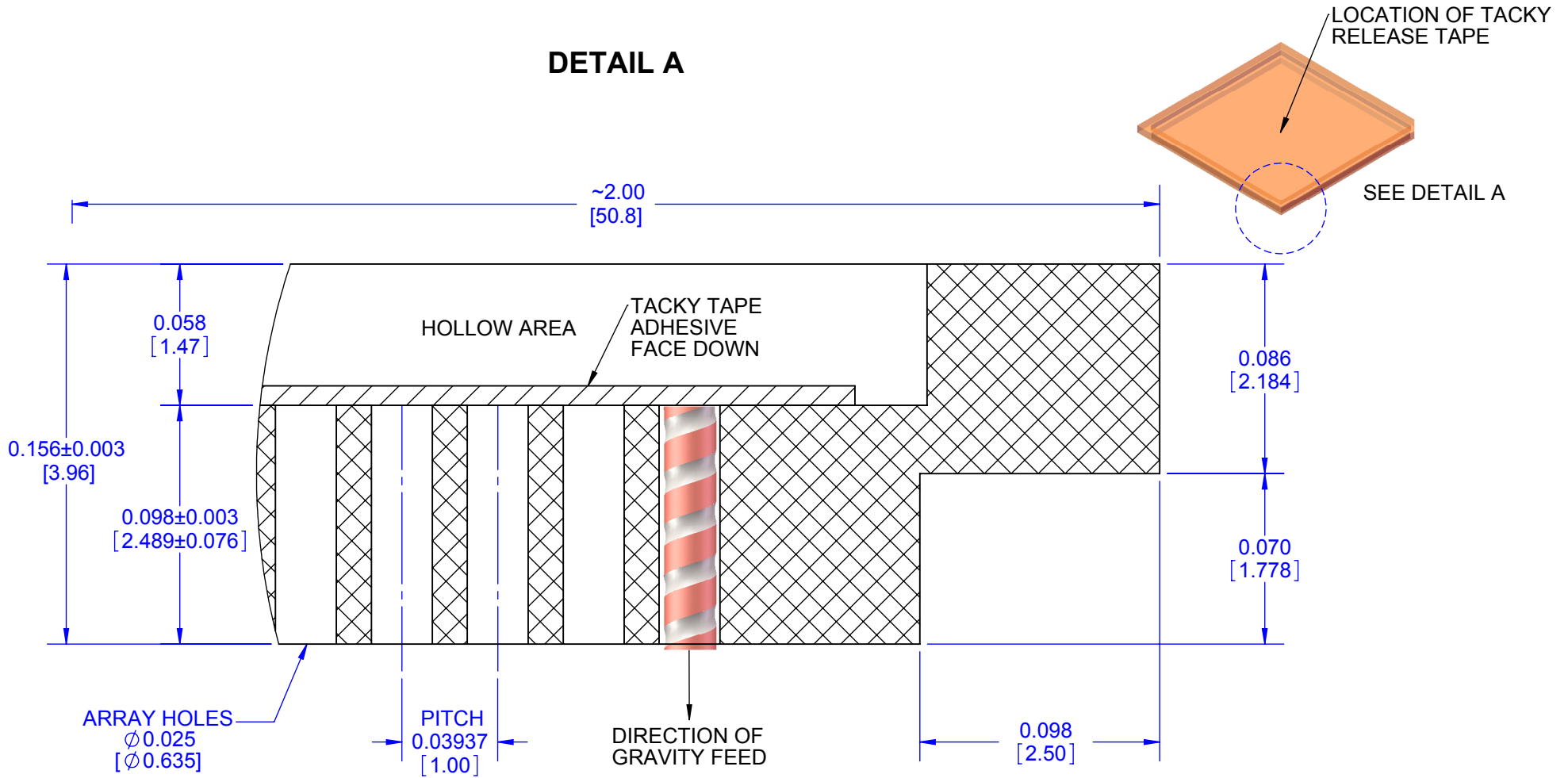


MODEL

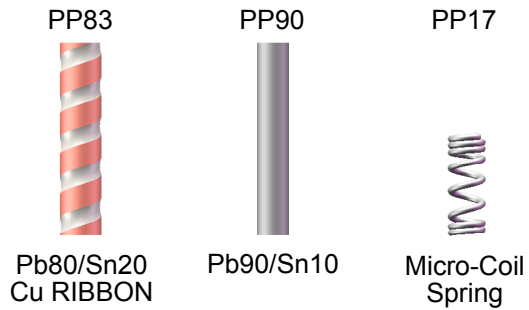
NOTES:  
1. DIMENSIONS INCHES [MM].  
2. SHOWN WITH MAXIMUM ARRAY.

<b>TopLine<sup>®</sup></b>			
TITLE PP1752 PIN-PACK™ CCGA COLUMN CARRIER			
SCALE 2:1	SIZE A	DRAWING NO. 001420	REV A
DO NOT SCALE DRAWING			SHEET 1 OF 8

# DETAIL A



## EXAMPLES OF COLUMNS

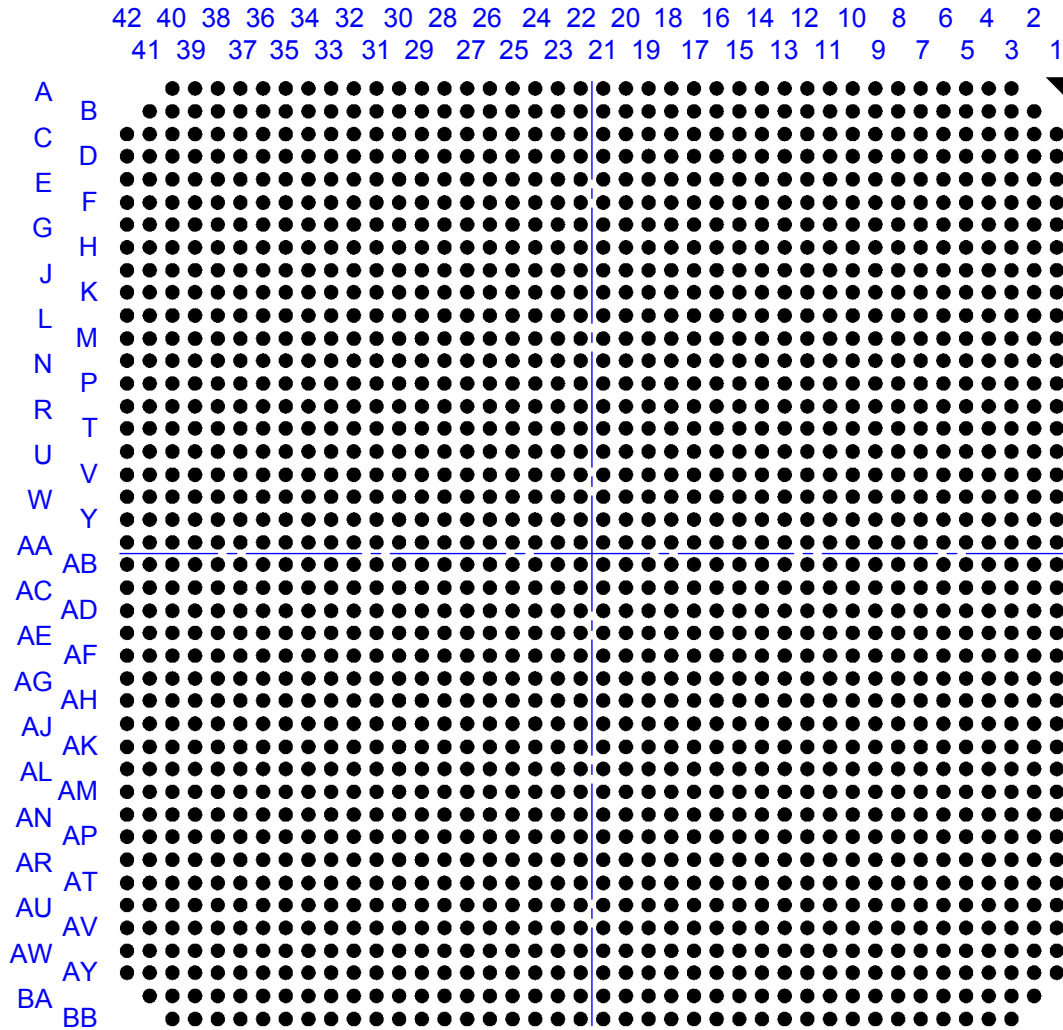


NOTES:  
1. DIMENSIONS INCHES [MM].

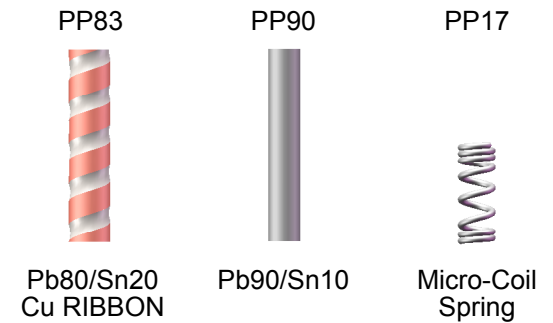
<b>TopLine®</b>			
TITLE PP1752 PIN-PACK™ CCGA COLUMN CARRIER			
SCALE 16:1	SIZE A	DRAWING NO. 001420	REV A
DO NOT SCALE DRAWING			SHEET 2 OF 8

### PART NUMBER TABLE

PIN-PACK™	Pins	Pitch	Matrix	COLUMN				Empty DWG	Filled DWG
				Alloy	Construction	∅ Dia	Length		
PP83C1752E20x100A PP90U1752E20x100A PP17P1752E20x50A	1752	1.0mm	42x42	Pb80 Pb90 MCS	Cu Ribbon Plain Micro Coil	0.51mm	2.54mm 2.54mm 1.27mm	001420	831420 901420 171420

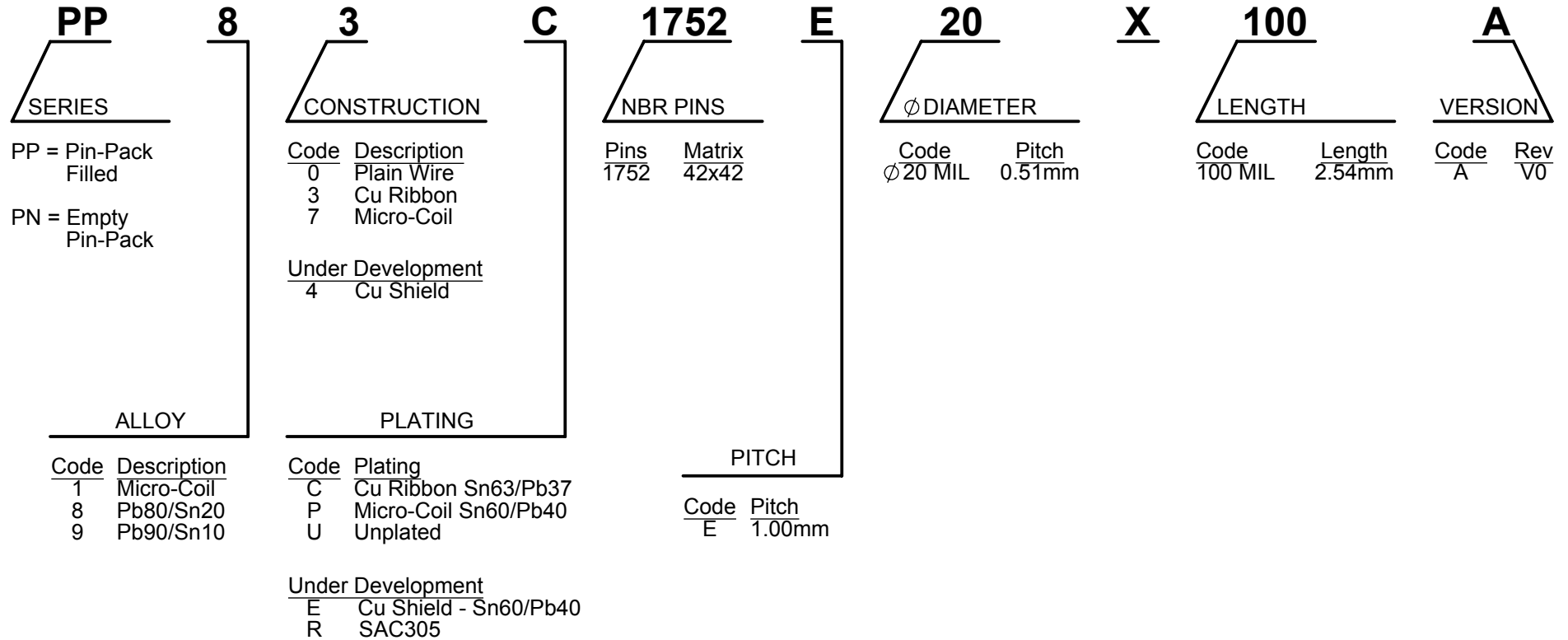


### EXAMPLES OF COLUMNS

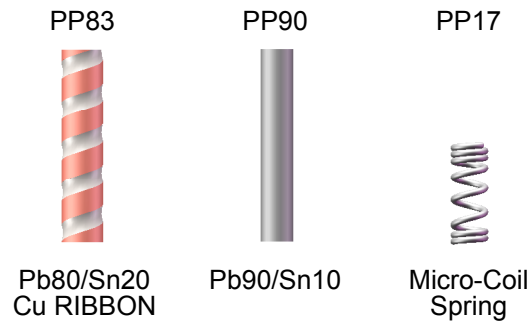


TopLine®			
TITLE PP1752 PIN-PACK™ CCGA COLUMN CARRIER			
SCALE NONE	SIZE A	DRAWING NO. 001420	REV A
DO NOT SCALE DRAWING			SHEET 3 OF 8

# PIN-PACK™ PART NUMBERING SYSTEM



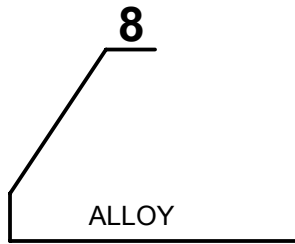
## EXAMPLES OF COLUMNS



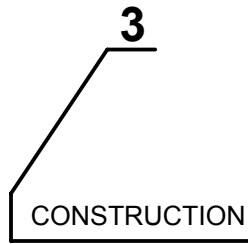
NOTE 1: PP83, PP90 and PP93 REQUIRES TRIMMING TO FINISHED LENGTH.  
 NOTE 2: COLUMN 2.54mm TO BE TRIMMED TO 2.21mm AFTER ATTACHMENT.

<b>TopLine®</b>			
TITLE    PP1752 PIN-PACK™ CCGA COLUMN CARRIER			
SCALE 10:1	SIZE A	DRAWING NO. 001420	REV A
DO NOT SCALE DRAWING			SHEET 4 OF 8

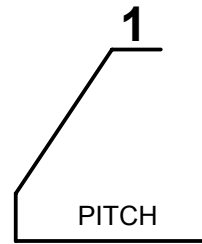
# PIN-PACK™ DRAWING NUMBERING SYSTEM



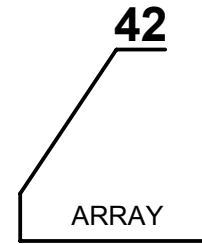
Code	Description
00	Empty
1	Micro-Coil
8	Pb80/Sn20
9	Pb90/Sn10



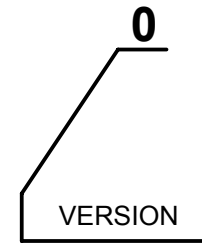
Code	Description
0	Plain Wire
3	Cu Ribbon
7	Micro-Coil



Code	Pitch
1	1.0mm



Code	Matrix
42	42x42



Code	Rev
0	1752 PINS Ø0.51mm

Under Development

4	Cu + Sn60/Pb40
5	Cu + SAC
6	Sn60/Pb40

## EXAMPLES OF COLUMNS

PP83



Pb80/Sn20  
Cu RIBBON

PP90



Pb90/Sn10

PP17



Micro-Coil  
Spring

**TopLine®**

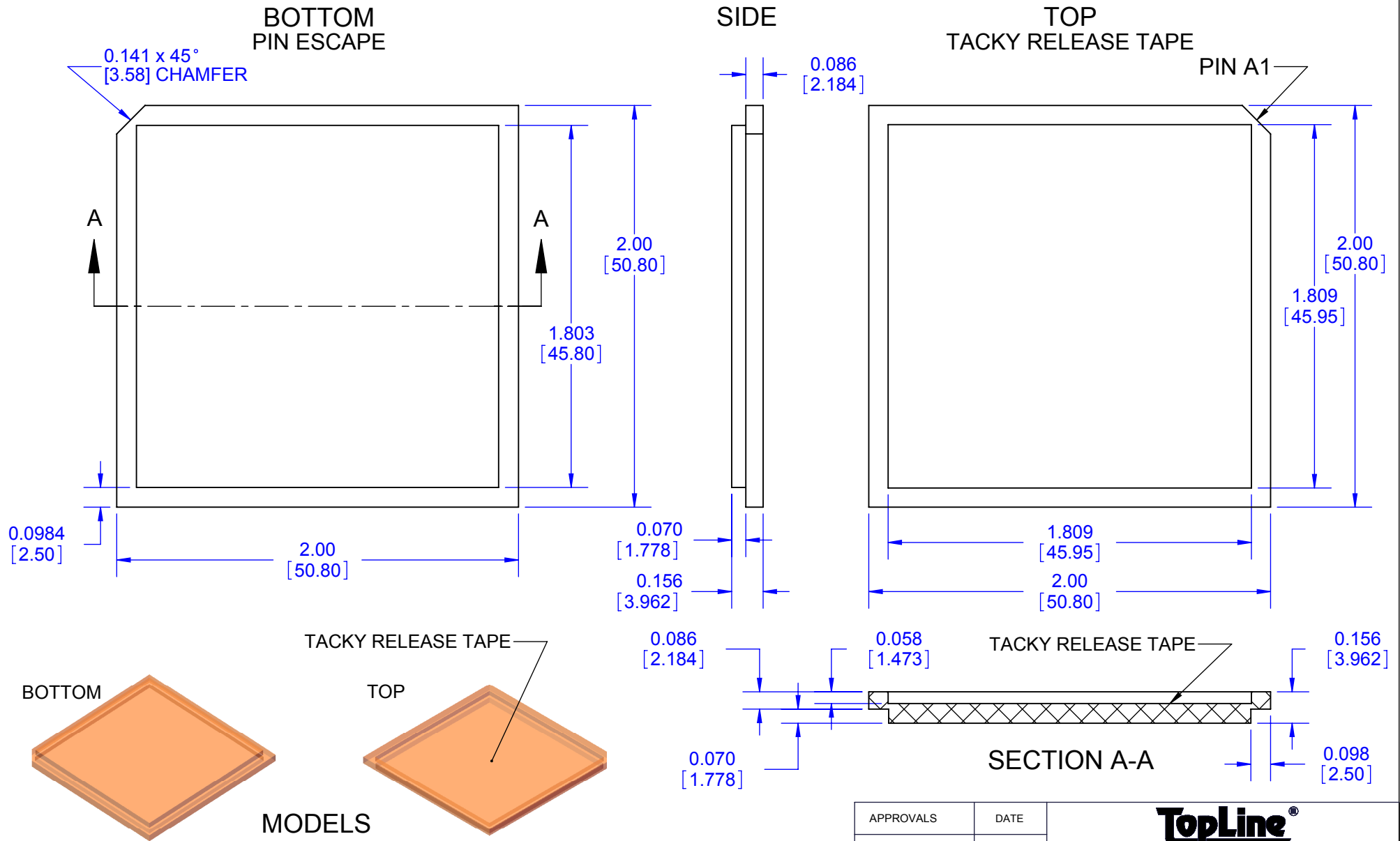
TITLE PP1752 PIN-PACK™  
CCGA COLUMN CARRIER

SCALE	SIZE	DRAWING NO.	REV
10:1	A	001420	A

DO NOT SCALE DRAWING

SHEET 5 OF 8

# PIN-PACK™ OUTLINE

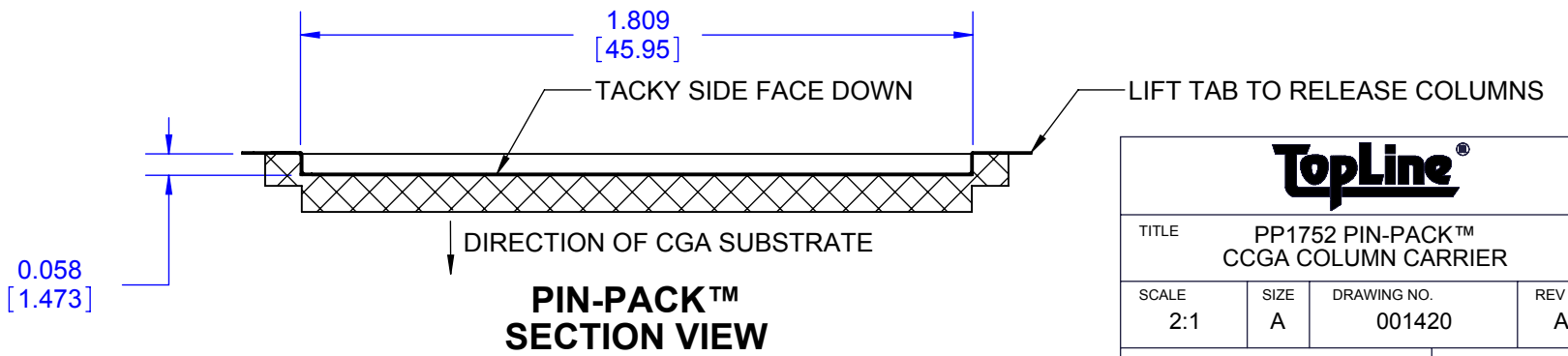
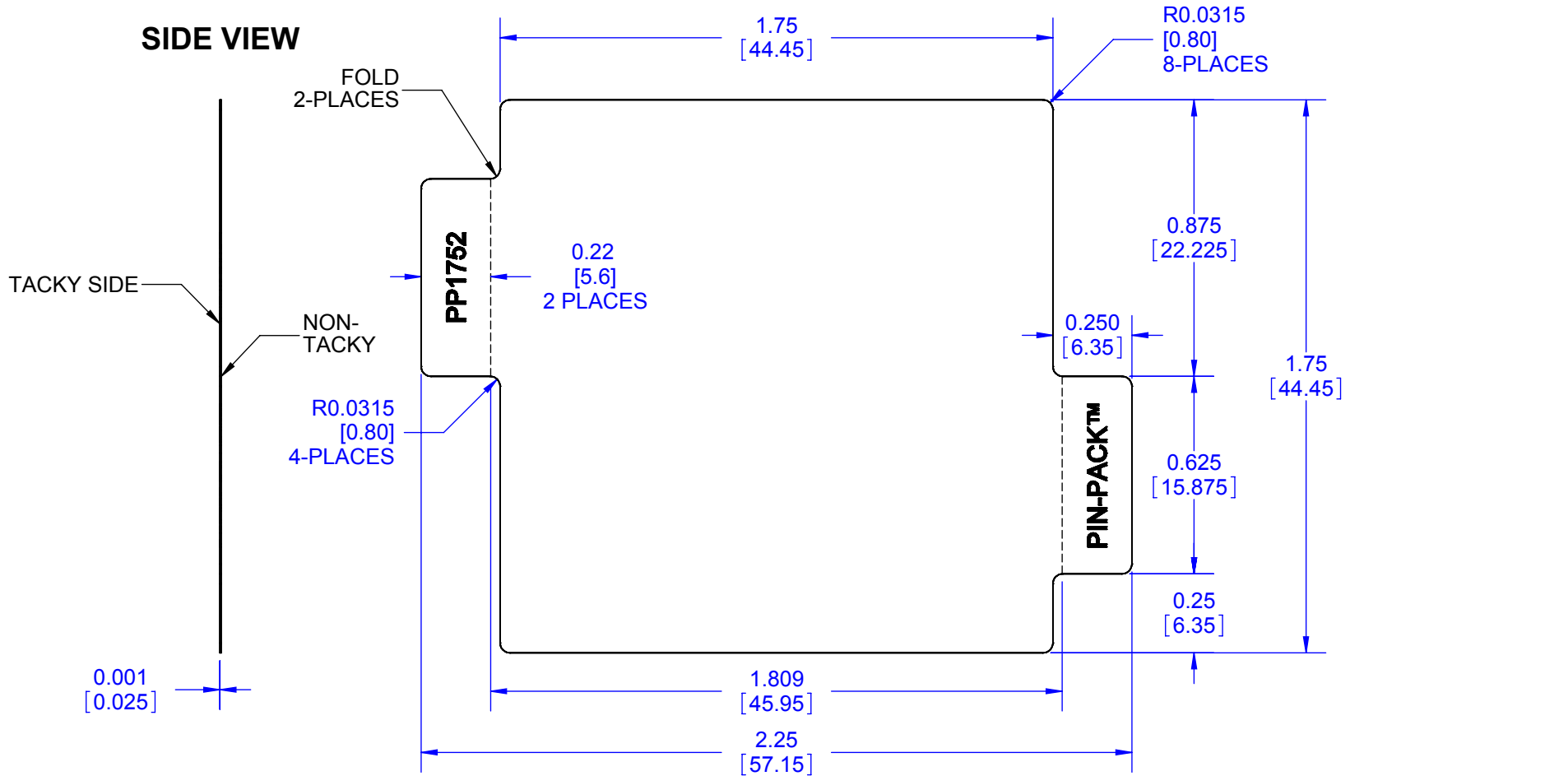


**NOTES:**

1. DIMENSIONS INCHES [MM].
2. SHOWN WITHOUT HOLES FOR CLARITY.
3. PIN-PACK™ IS TRADEMARK OF TOPLINE.
4. PIN-PACK™ PATENT PENDING.

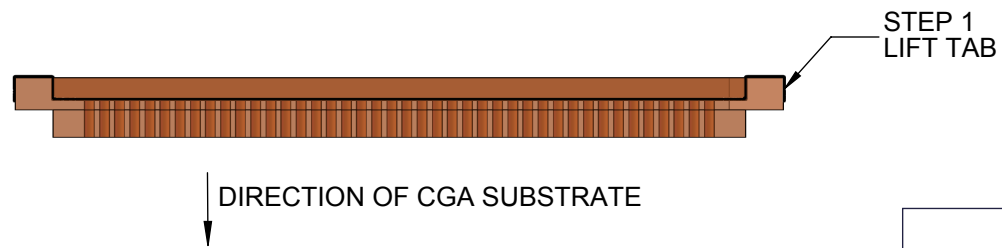
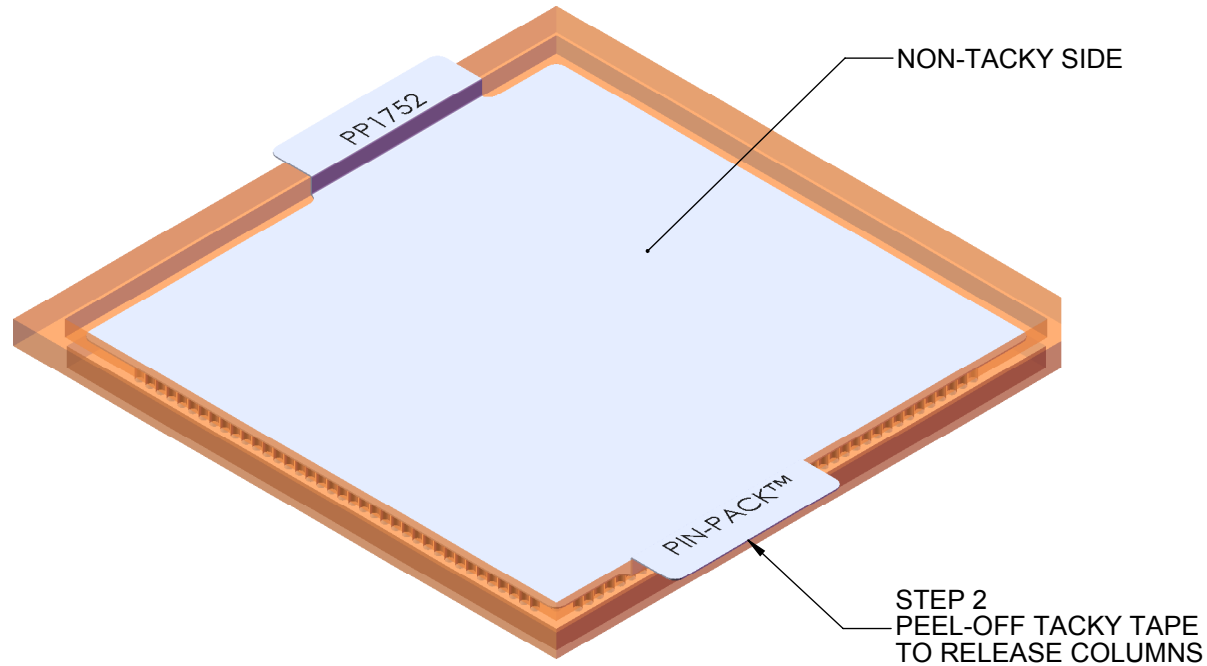
APPROVALS	DATE	<b>TopLine®</b>			
DRAWN T.Au	10/02/14				
ENG M. Hart	10/02/14	TITLE PP1752 PIN-PACK™ CCGA COLUMN CARRIER			
MFG		SCALE	SIZE	DRAWING NO.	REV
QA		3:2	A	001420	A
CUST		DO NOT SCALE DRAWING			SHEET 6 OF 8
REVISED					

# TACKY RELEASE TAPE TOP VIEW



<b>TopLine®</b>			
TITLE PP1752 PIN-PACK™ CCGA COLUMN CARRIER			
SCALE 2:1	SIZE A	DRAWING NO. 001420	REV A
DO NOT SCALE DRAWING			SHEET 7 OF 8

# TACKY RELEASE TAPE MODEL



<b>TopLine®</b>			
TITLE    PP1752 PIN-PACK™ CCGA COLUMN CARRIER			
SCALE	SIZE	DRAWING NO.	REV
2:1	A	001420	A
DO NOT SCALE DRAWING			SHEET 8 OF 8