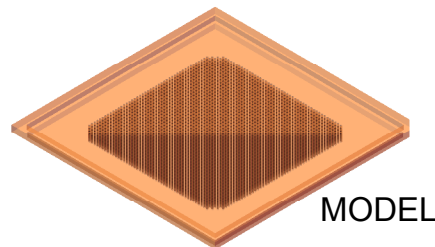
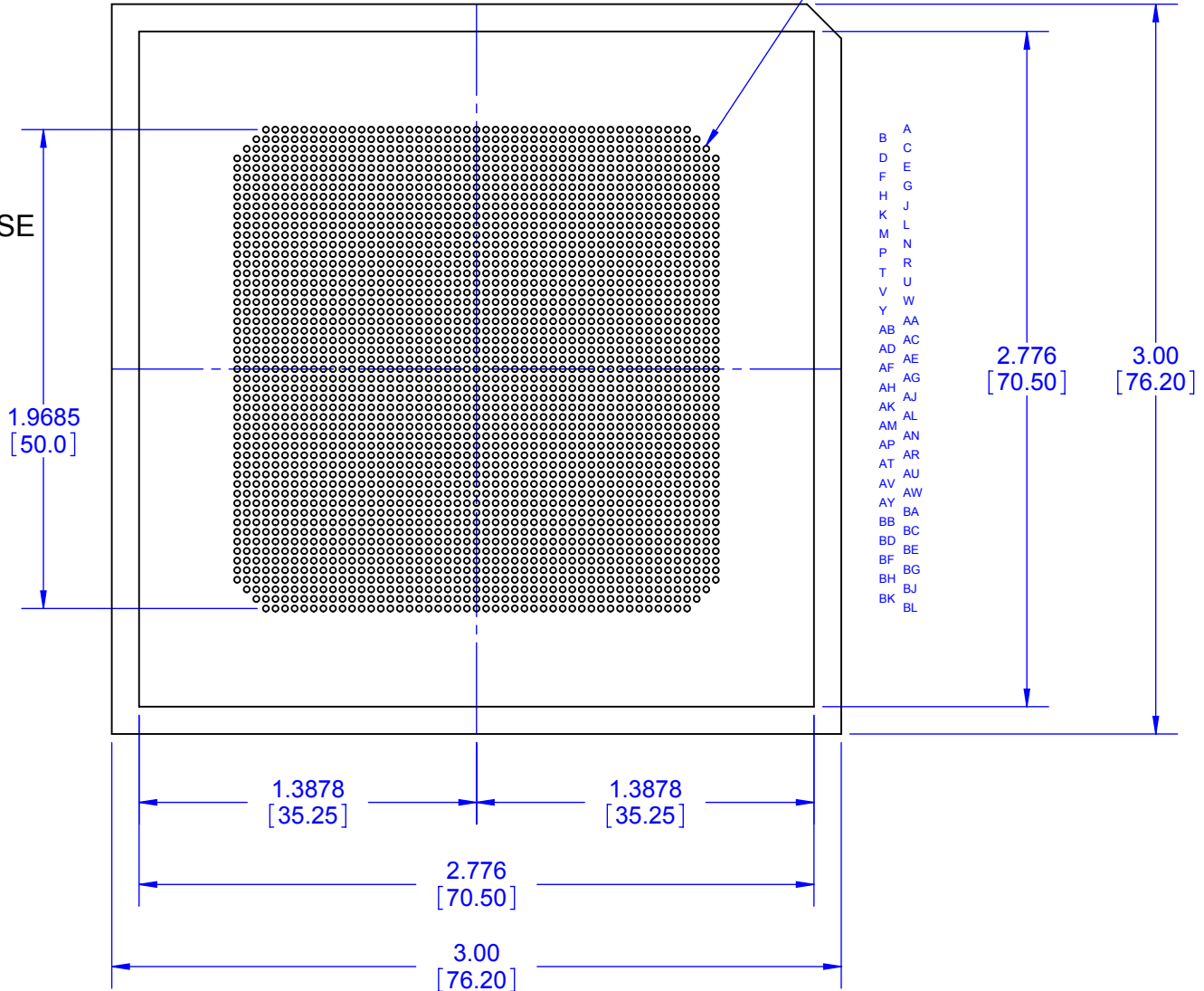
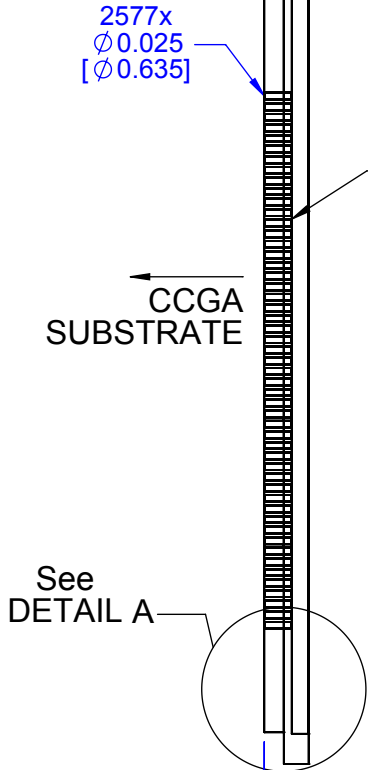


SIDE

TOP VIEW

2577 POS
 $\varnothing 0.025$
 $[\varnothing 0.635]$

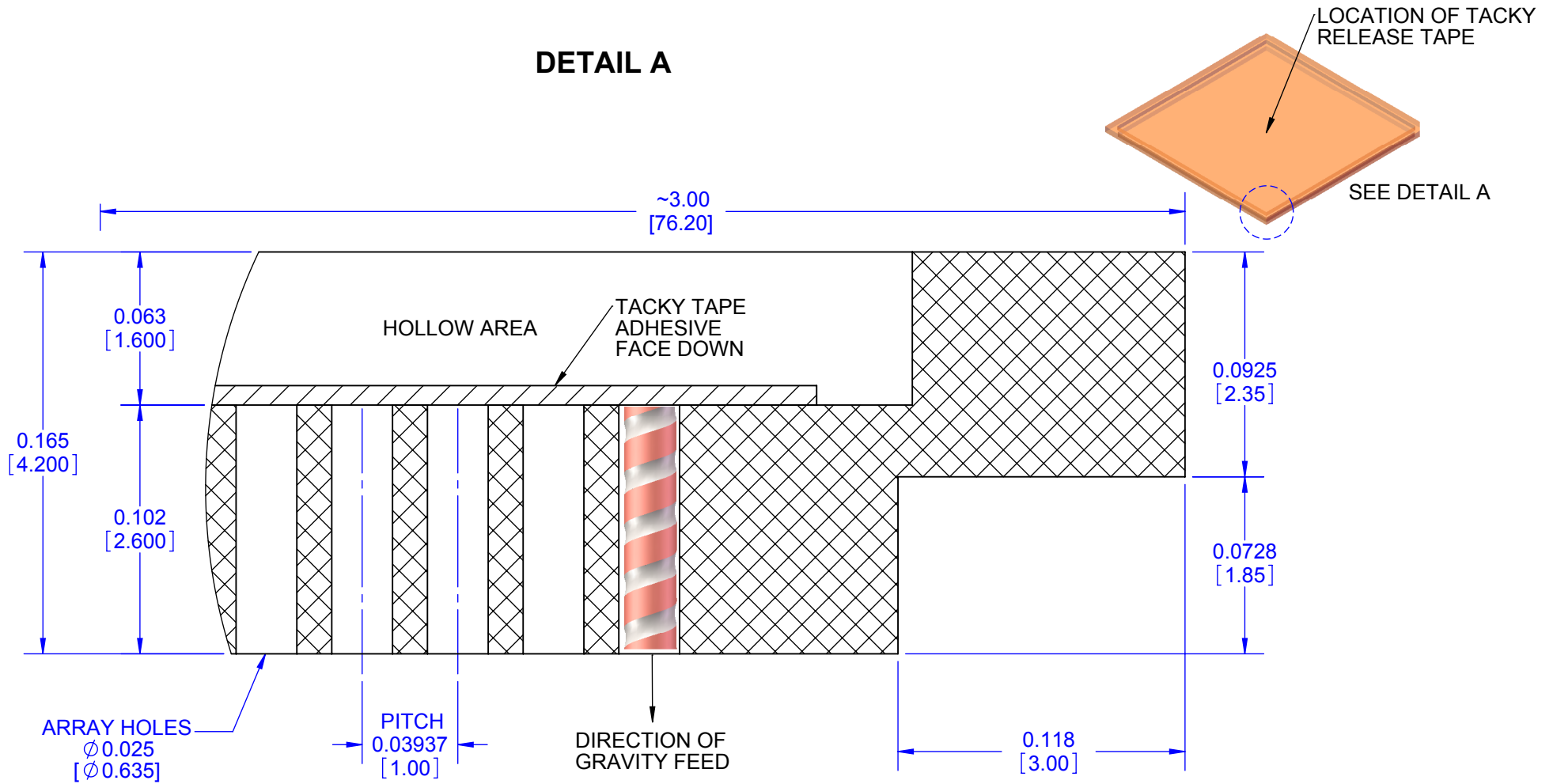
50 48 46 44 42 40 38 36 34 32 30 28 26 24 22 20 18 16 14 12 10 8 6 4 2
 51 49 47 45 43 41 39 37 35 33 31 29 27 25 23 21 19 17 15 13 11 9 7 5 3 1



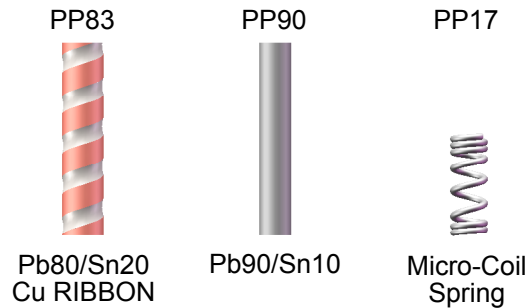
NOTES:
 1. DIMENSIONS INCHES [MM].
 2. SHOWN WITH MAXIMUM ARRAY.

TopLine®			
TITLE PP2577 PIN-PACK™ CCGA COLUMN CARRIER			
SCALE 2:1	SIZE A	DRAWING NO. 001510	REV A
DO NOT SCALE DRAWING			SHEET 1 OF 8

DETAIL A



EXAMPLES OF COLUMNS

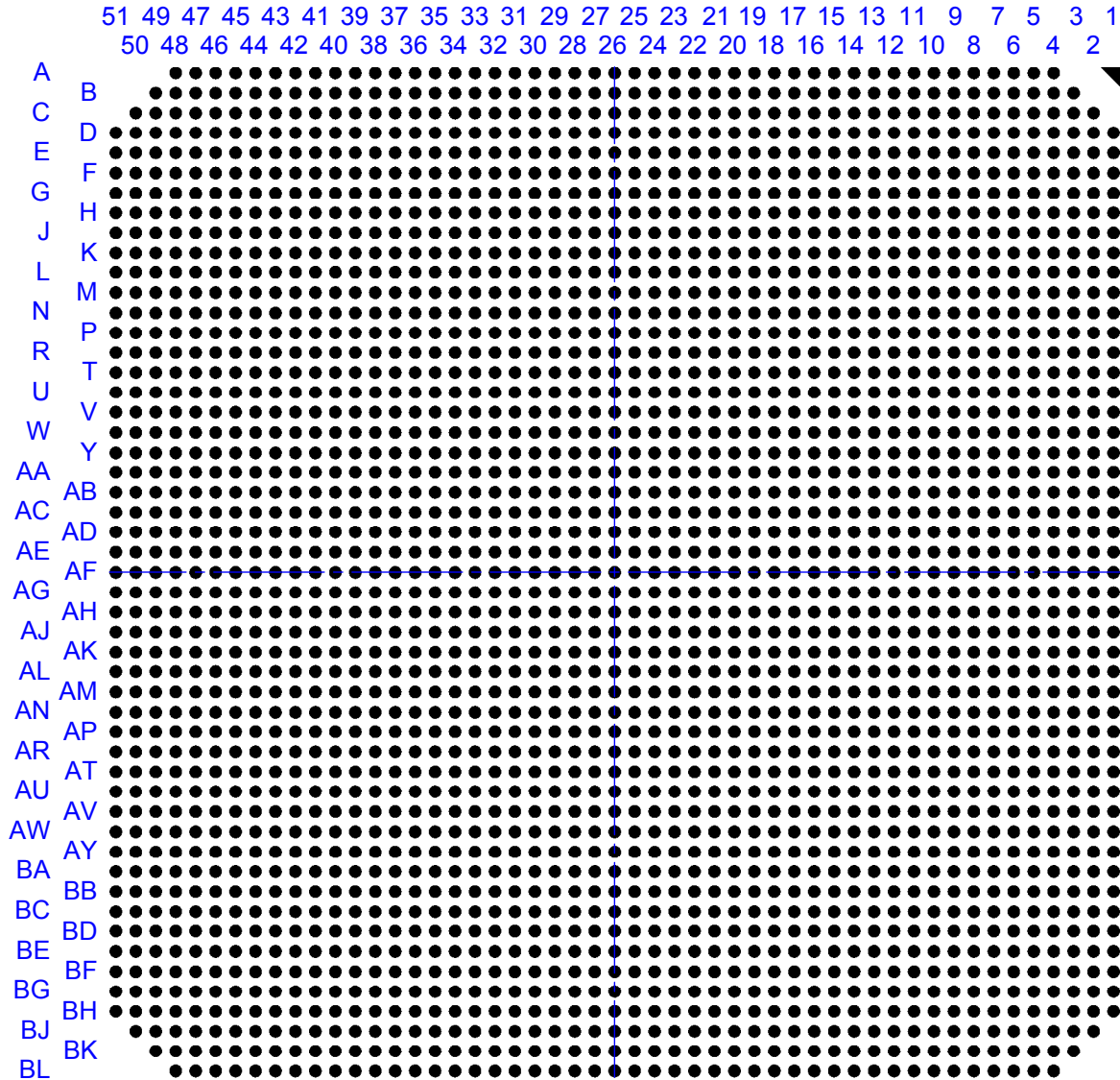


NOTES:
1. DIMENSIONS INCHES [MM].

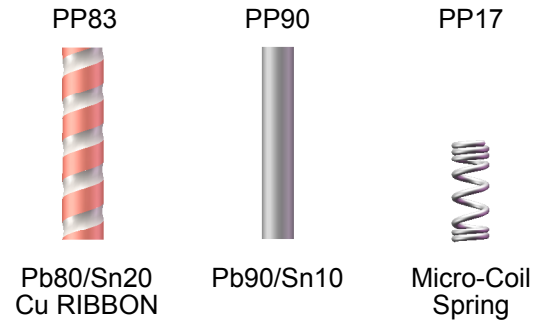
TopLine®			
TITLE PP2577 PIN-PACK™ CCGA COLUMN CARRIER			
SCALE 16:1	SIZE A	DRAWING NO. 001510	REV A
DO NOT SCALE DRAWING			SHEET 2 OF 8

PART NUMBER TABLE

PIN-PACK™	Pins	Pitch	Matrix	COLUMN				Empty DWG	Filled DWG
				Alloy	Construction	∅ Dia	Length		
PP83C2577E20x100A PP90U2577E20x100A PP17P2577E20x50A	2577	1.0mm	51x51	Pb80 Pb90 MCS	Cu Ribbon Plain Micro Coil	0.51mm	2.54mm 2.54mm 1.27mm	001510	831510 901510 171510

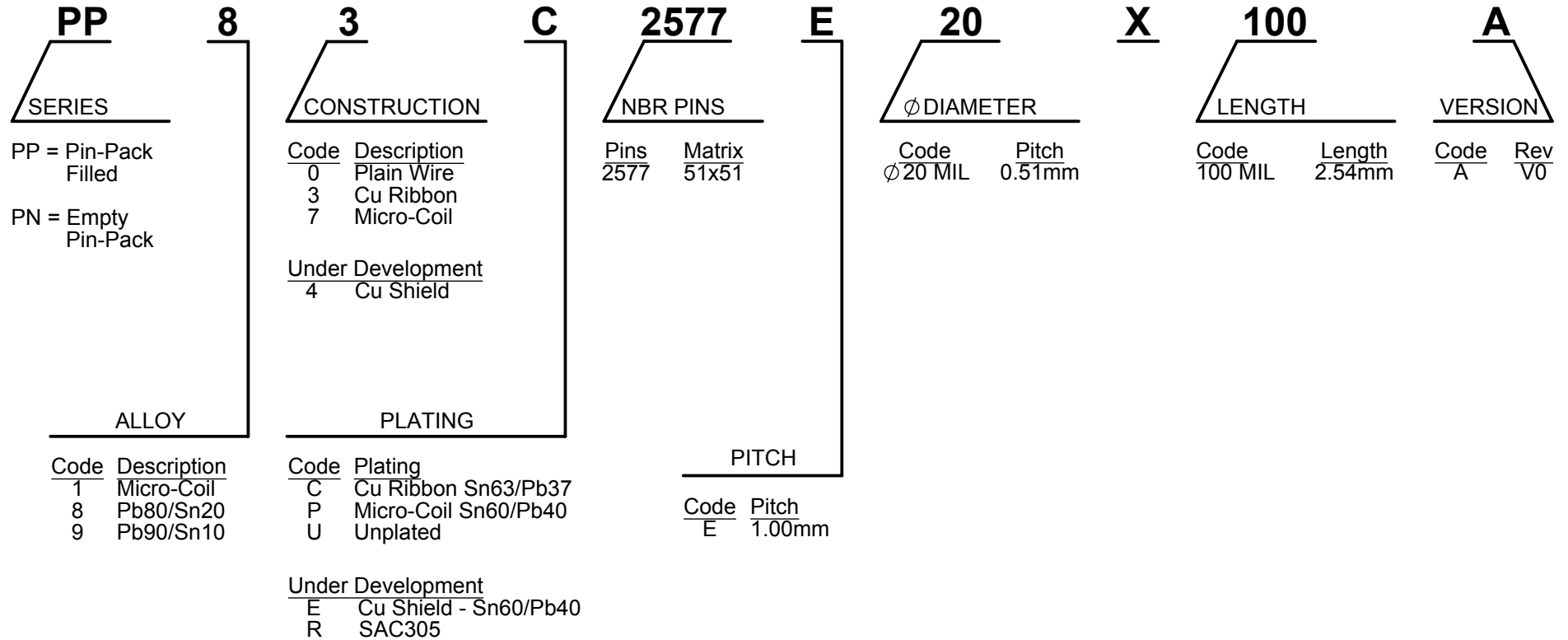


EXAMPLES OF COLUMNS

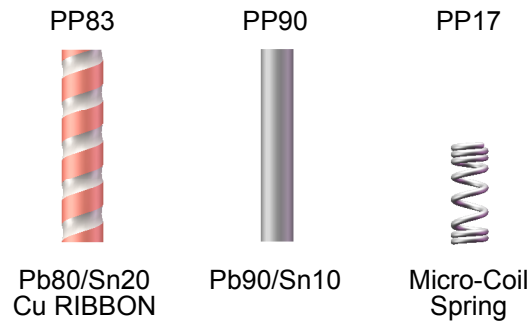


TopLine®			
TITLE PP2577 PIN-PACK™ CCGA COLUMN CARRIER			
SCALE NONE	SIZE A	DRAWING NO. 001510	REV A
DO NOT SCALE DRAWING			SHEET 3 OF 8

PIN-PACK™ PART NUMBERING SYSTEM



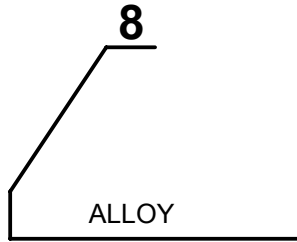
EXAMPLES OF COLUMNS



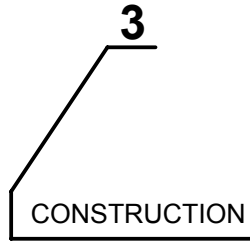
NOTE 1: PP83, PP90 and PP93 REQUIRES TRIMMING TO FINISHED LENGTH.
 NOTE 2: COLUMN 2.54mm TO BE TRIMMED TO 2.21mm AFTER ATTACHMENT.

TopLine®			
TITLE PP2577 PIN-PACK™ CCGA COLUMN CARRIER			
SCALE 10:1	SIZE A	DRAWING NO. 001510	REV A
DO NOT SCALE DRAWING			SHEET 4 OF 8

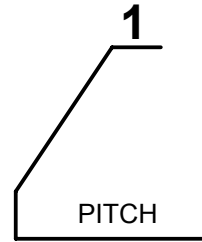
PIN-PACK™ DRAWING NUMBERING SYSTEM



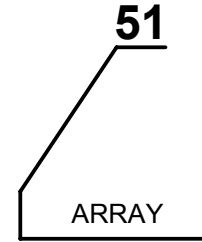
Code	Description
00	Empty
1	Micro-Coil
8	Pb80/Sn20
9	Pb90/Sn10



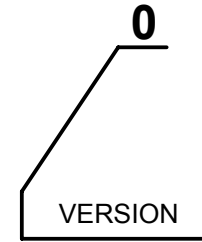
Code	Description
0	Plain Wire
3	Cu Ribbon
7	Micro-Coil



Code	Pitch
1	1.0mm



Code	Matrix
51	51x51



Code	Rev
0	2577 PINS

Under Development

4	Cu + Sn60/Pb40
5	Cu + SAC
6	Sn60/Pb40

EXAMPLES OF COLUMNS

PP83



Pb80/Sn20
Cu RIBBON

PP90



Pb90/Sn10

PP17



Micro-Coil
Spring

TopLine®

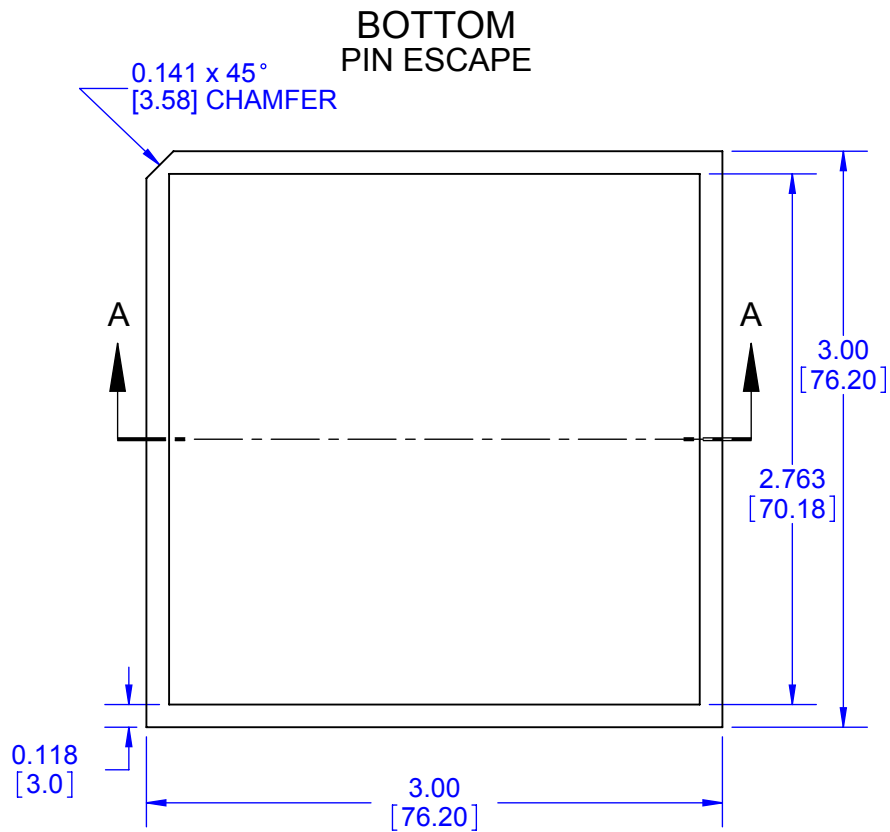
TITLE PP2577 PIN-PACK™
CCGA COLUMN CARRIER

SCALE	SIZE	DRAWING NO.	REV
10:1	A	001510	A

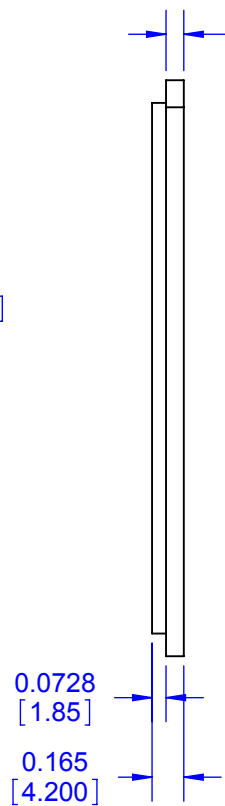
DO NOT SCALE DRAWING

SHEET 5 OF 8

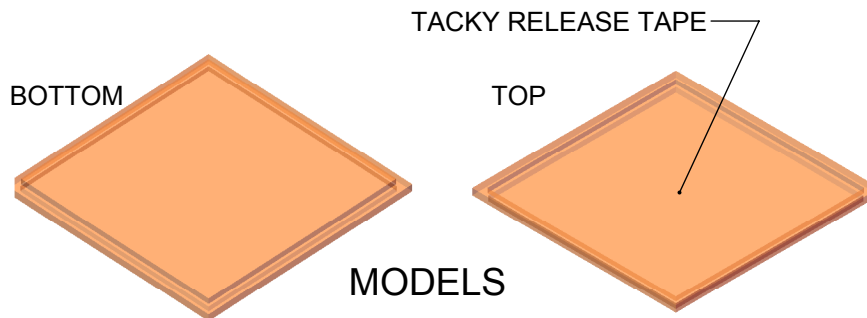
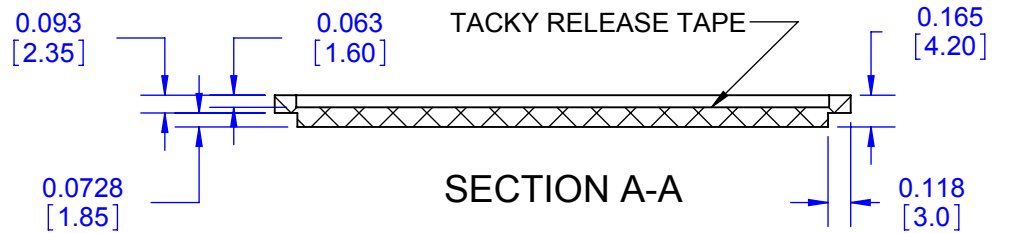
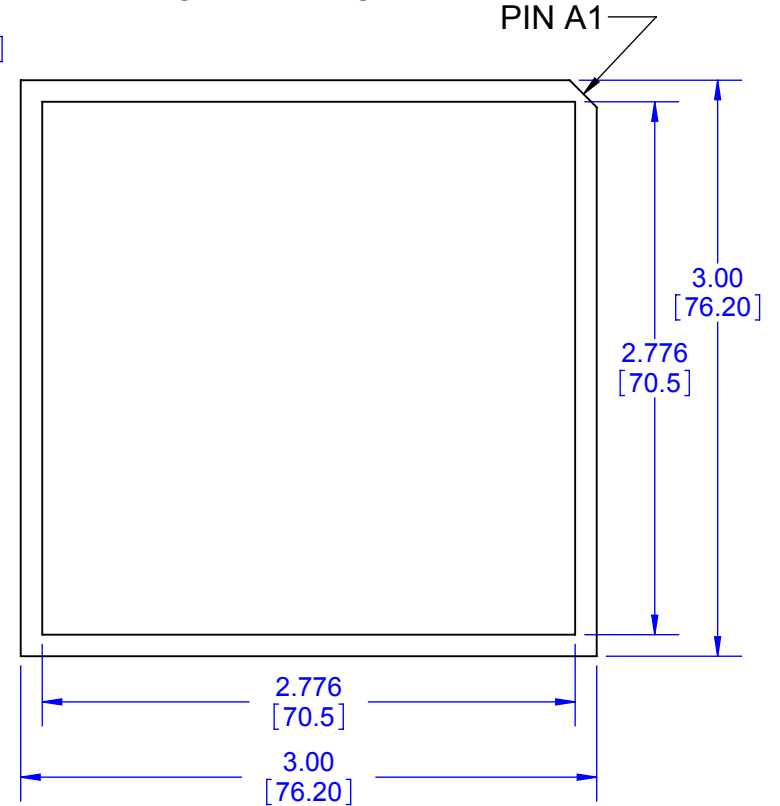
PIN-PACK™ OUTLINE



SIDE



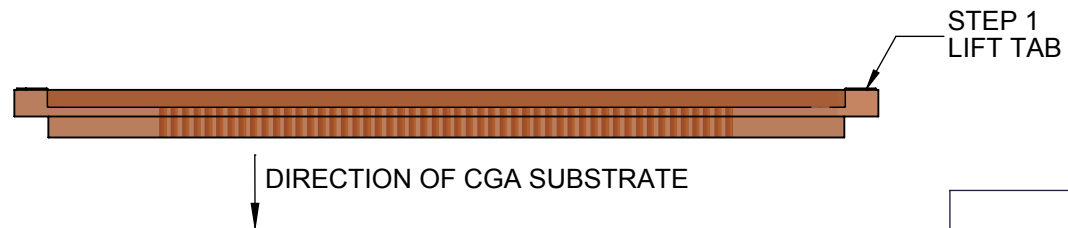
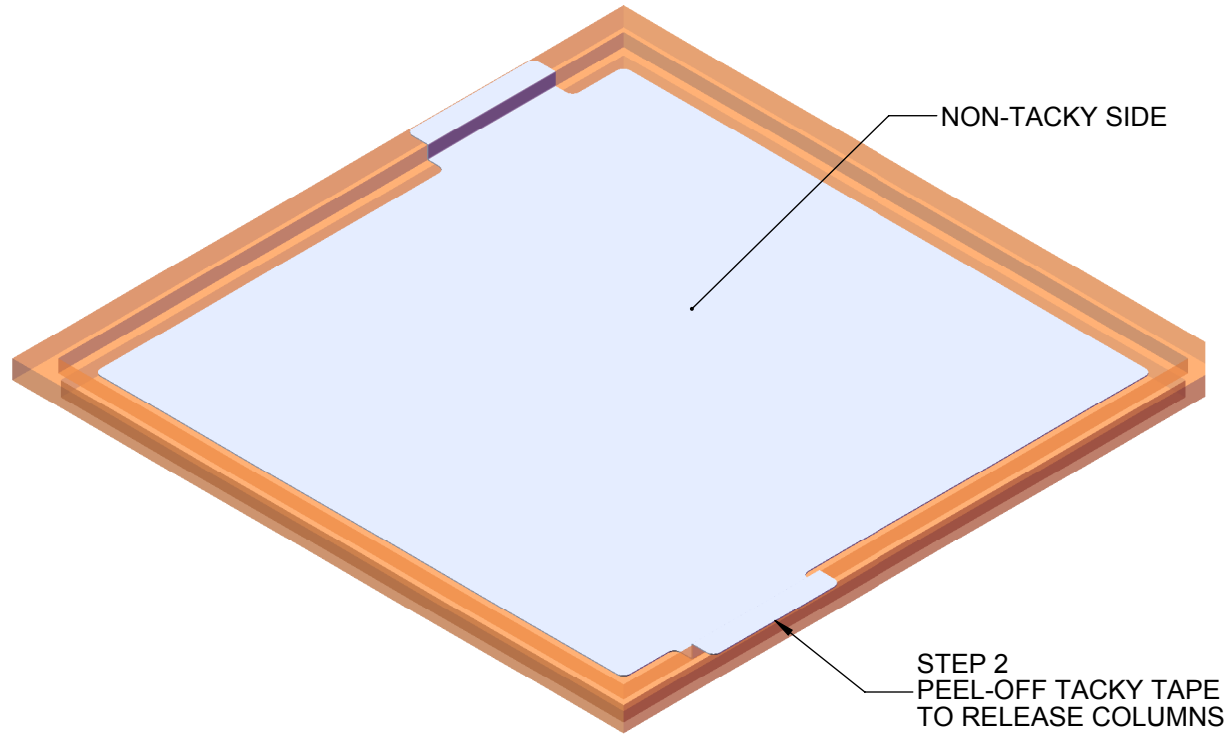
TOP TACKY RELEASE TAPE



- NOTES:
1. DIMENSIONS INCHES [MM].
 2. SHOWN WITHOUT HOLES FOR CLARITY.
 3. PIN-PACK™ IS TRADEMARK OF TOPLINE.
 4. PIN-PACK™ PATENT PENDING.

APPROVALS	DATE	TopLine®			
DRAWN T.Au	10/03/14				
ENG M. Hart	10/03/14	TITLE PP2577 PIN-PACK™ CCGA COLUMN CARRIER			
MFG		SCALE	SIZE	DRAWING NO.	REV
QA		3:2	A	001510	A
CUST		DO NOT SCALE DRAWING			SHEET 6 OF 8
REVISED					

TACKY RELEASE TAPE MODEL



TopLine®			
TITLE PP2577 PIN-PACK™ CCGA COLUMN CARRIER			
SCALE 1.5:1	SIZE A	DRAWING NO. 001510	REV A
DO NOT SCALE DRAWING			SHEET 8 OF 8