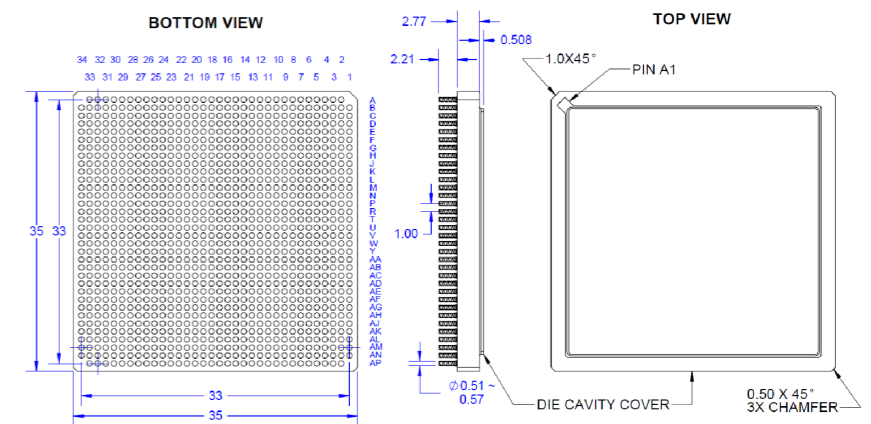


PCB LAYOUT



<p><b>A3H</b> Scale 2:1</p> <p>patented</p> <p>The information contained in this drawing is proprietary and shall not be reproduced or disclosed in whole or in part or used for any design or manufacture except where such user possesses direct, written authorization</p>	UNLESS OTHERWISE SPECIFIED: DIMENSIONS ARE IN MILLIMETERS GENERAL TOLERANCES ISO 2768m	
	REV	modif:
	0	
	NAME	DATE
	smc	09.02.2015
DRAWN		
smc		
REVD		
-		
CHK'D		
-		
APPV'D		
smc	09.02.2015	

Remark: CGA Clamshell socket, 1152 pins. Pitch 1.00mm, matrix 34x34 code MI = Special Clamshell
"Order code" <b>CPC1152-1070-346A</b>
"Production code" <b>113460</b>