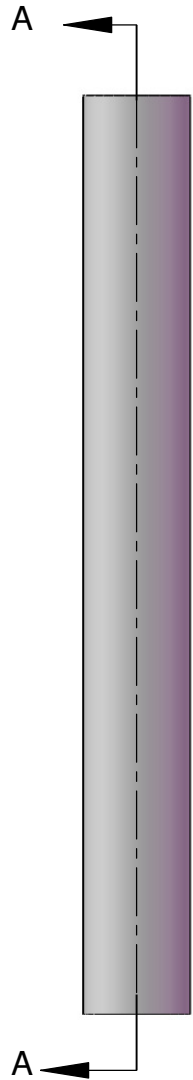
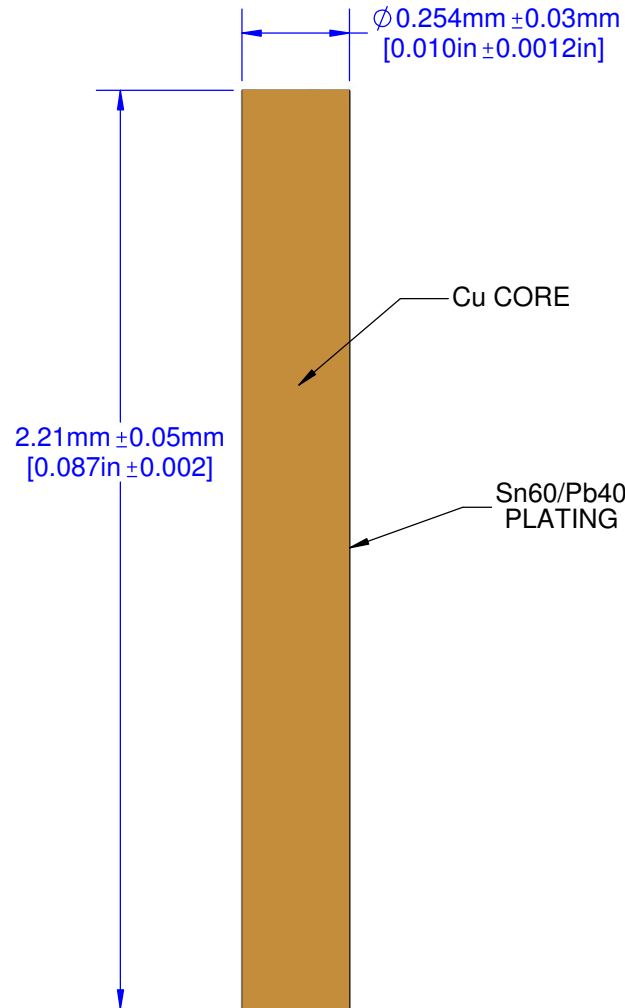


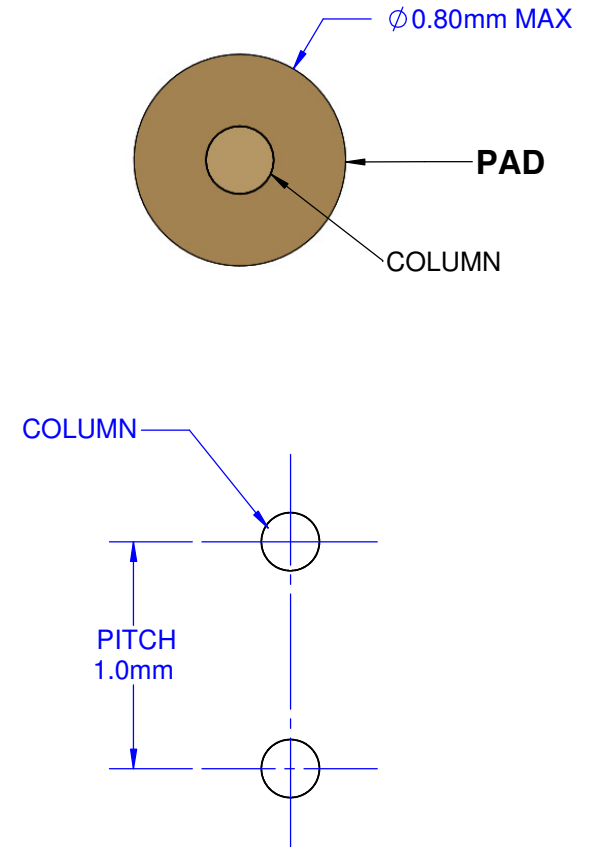
EXTERIOR VIEW



SECTION VIEW



CCGA - LAND PAD



END VIEW



Notes: (Unless Otherwise Specified).

- 1) DIMENSIONS IN mm [INCHES].
- 2) MATERIAL: Cu COPPER ALLOY CDA101 OFE-OFHC
- 3) PLATING: Sn60/Pb40 3.0~5.0um [100~200 MICRO-INCH]

APPROVALS	DATE	TopLine®			
DRAWN T. Au	4/23/2017				
ENG M. Hart	4/23/2017	TITLE CU101P10x87 CCGA COPPER COLUMN			
MFG		SCALE	SIZE	DRAWING NO.	REV
QA		25:1	A	301087	A
CUST		DO NOT SCALE DRAWING			SHEET 1 OF 1
REVISED					