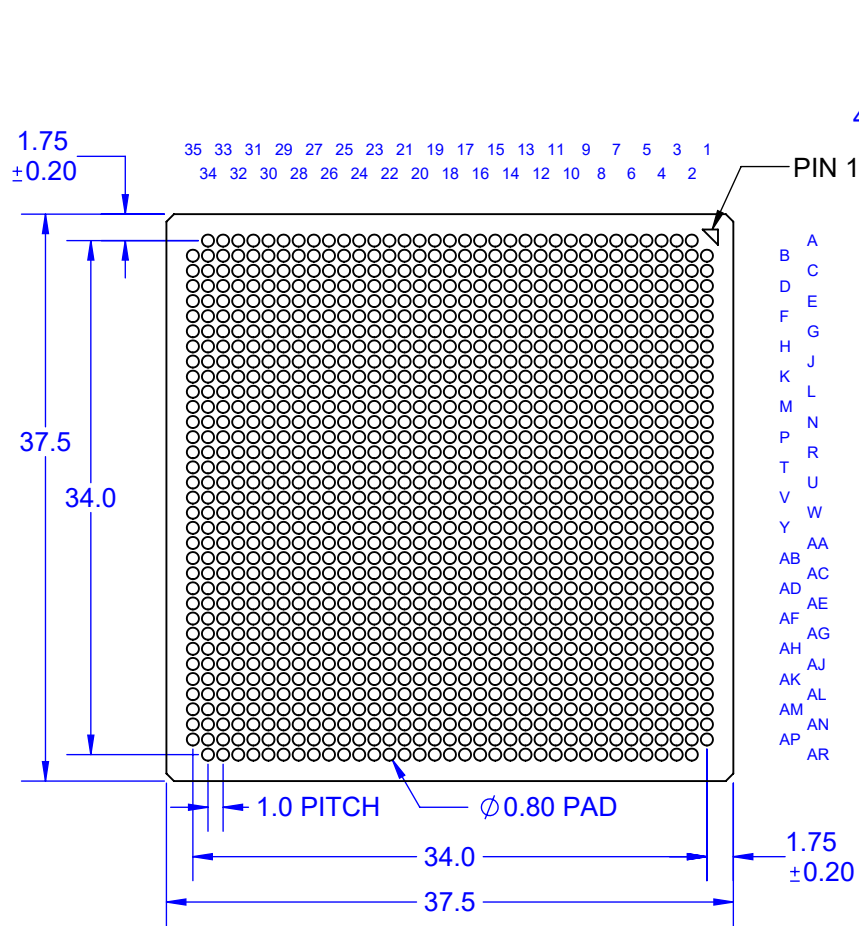
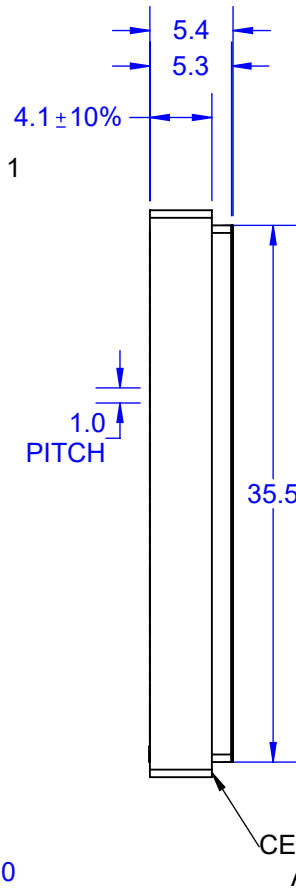


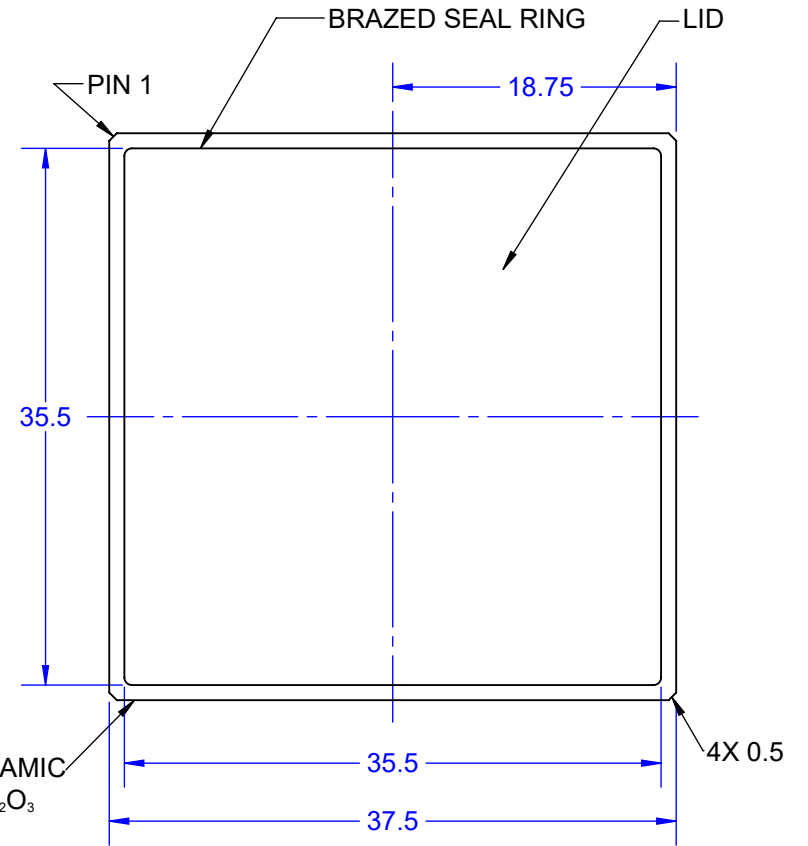
### BOTTOM VIEW



### SIDE VIEW



### TOP VIEW



#### NOTES:

1. PLATING BOTTOM PADS  
ELECTROLESS Ni 3.2~8.89µm (125~350 micro-inch).  
ELECTROLESS Au 0.03µm to 0.20µm (8 micro-inch) MAX

Notes: (Unless Otherwise Specified).

- 1) DIMENSIONS ARE IN mm.
- 2) CLGA SHOWN WITHOUT COLUMNS.
- 3) SHOWN WITH LID.
- 4) SHOWN WITH DUMMY DIE.
- 5) PART NUMBER CLGA1221T1.0-35x35-D.

#### PART NUMBER OPTIONS

PART NUMBER	DUMMY DIE	SOLDER PIN	CAPACITOR	LID
CLGA1221T1.0-35x35-D	YES	NONE	NONE	YES

**TopLine**<sup>®</sup>

TITLE CLGA1221T1.0-35x35  
COLUMN GRID ARRAY

SCALE 2:1	SIZE A	DRAWING NO. 160322	REV A
--------------	-----------	-----------------------	----------

DO NOT SCALE DRAWING

SHEET 1 OF 3

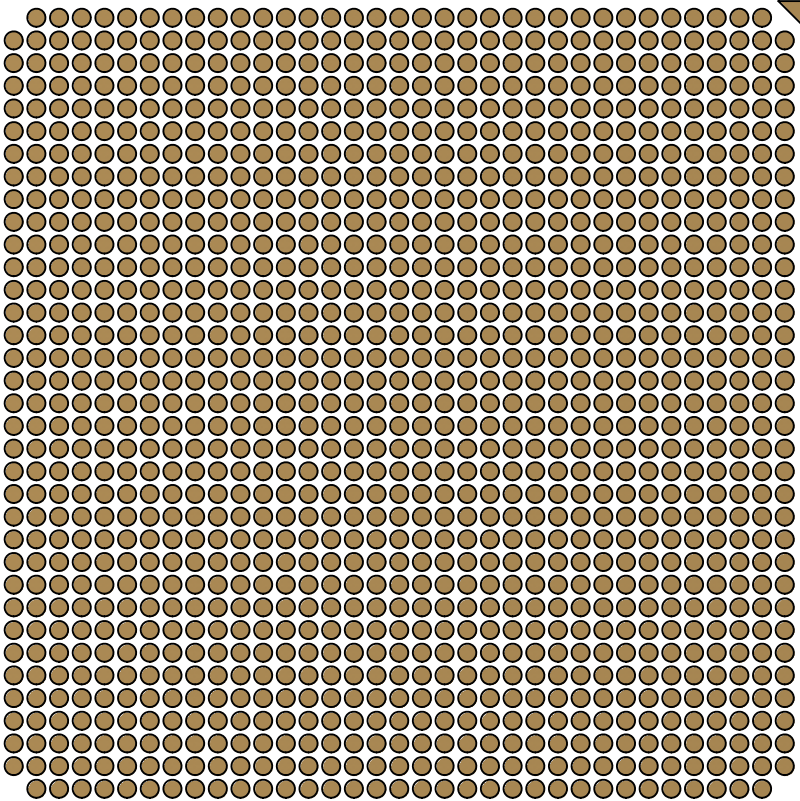
# PAD PATTERN

## PAD (COLUMN ) VIEW

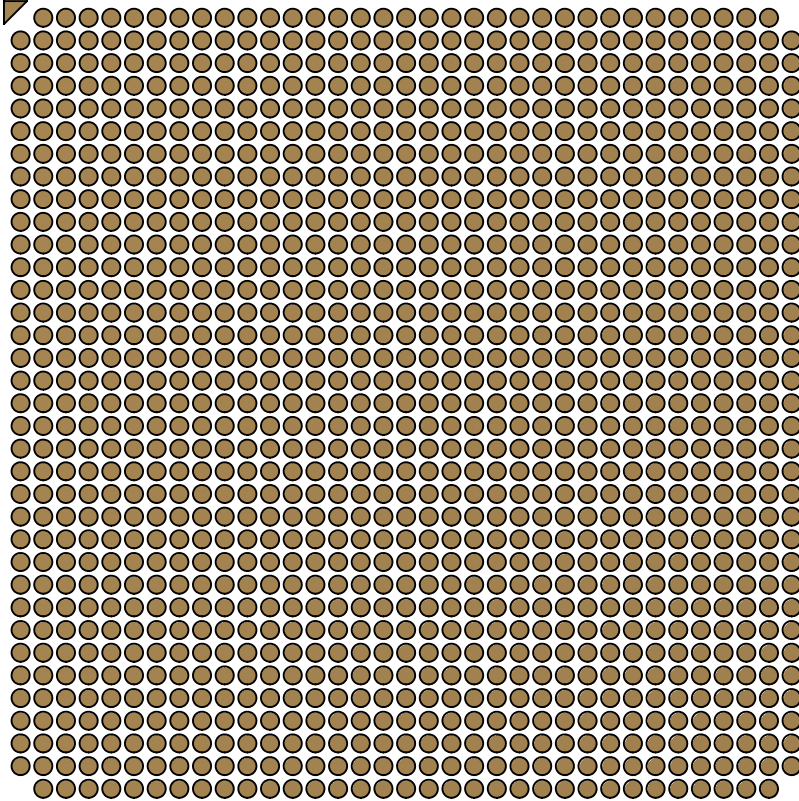
## PAD (COLUMN ) VIEW

35 33 31 29 27 25 23 21 19 17 15 13 11 9 7 5 3 1  
34 32 30 28 26 24 22 20 18 16 14 12 10 8 6 4 2

1 3 5 7 9 11 13 15 17 19 21 23 25 27 29 31 33 35  
2 4 6 8 10 12 14 16 18 20 22 24 26 28 30 32 34



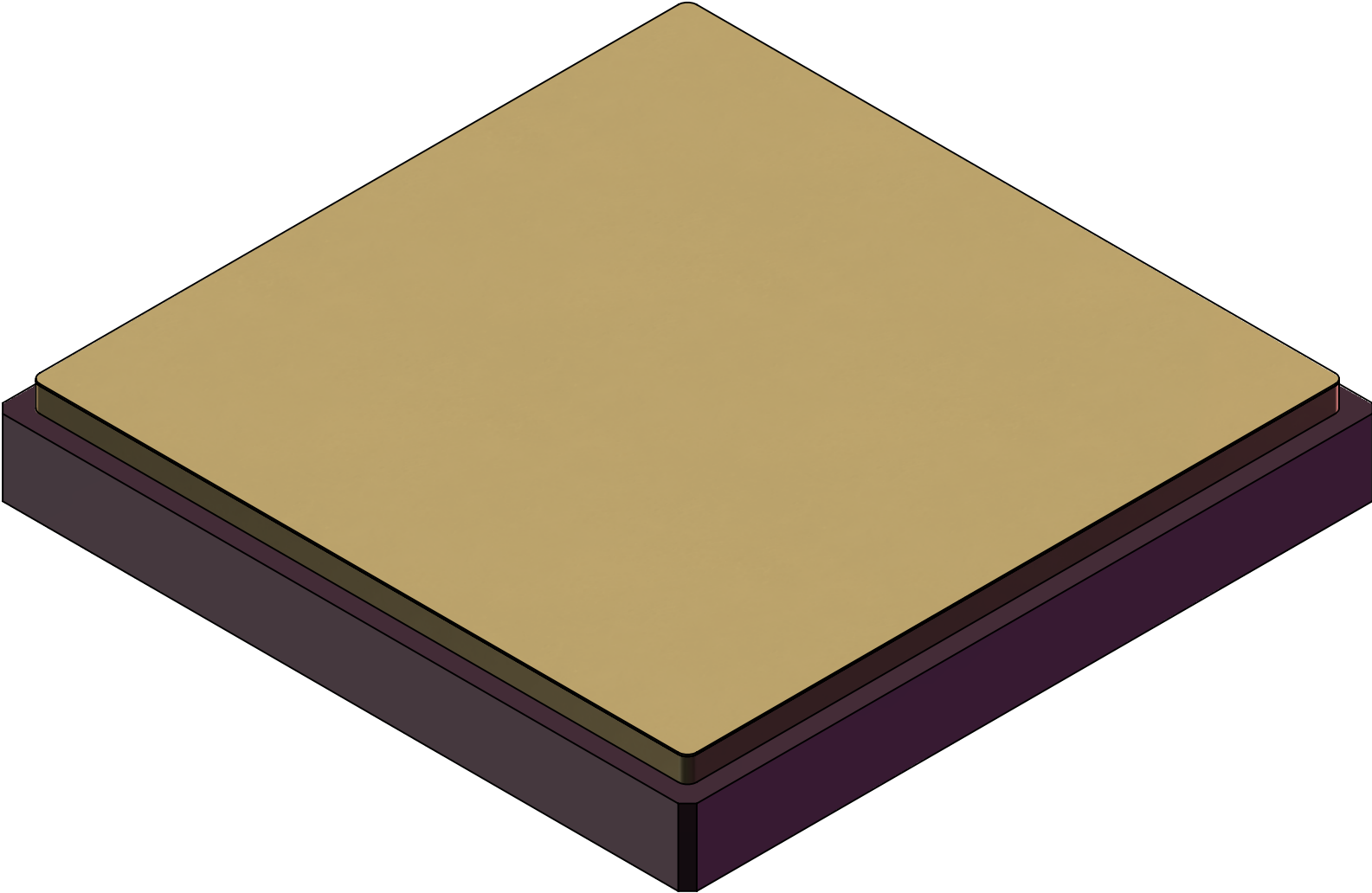
A  
B  
C  
D  
E  
F  
G  
H  
J  
K  
L  
M  
N  
P  
R  
T  
U  
V  
W  
Y  
AA  
AB  
AC  
AD  
AE  
AF  
AG  
AH  
AJ  
AK  
AL  
AM  
AN  
AP  
AR



A  
B  
C  
D  
E  
F  
G  
H  
J  
K  
L  
M  
N  
P  
R  
T  
U  
V  
W  
Y  
AA  
AB  
AC  
AD  
AE  
AF  
AG  
AH  
AJ  
AK  
AL  
AM  
AN  
AP  
AR

<b>TopLine<sup>®</sup></b>			
TITLE      CLGA1221T1.0-35x35 COLUMN GRID ARRAY			
SCALE	SIZE	DRAWING NO.	REV
3:1	A	160322	A
DO NOT SCALE DRAWING			SHEET 2 OF 3

**MODEL CLGA1221T1.0-35x35-D  
WITH LID**



<b>TopLine<sup>®</sup></b>			
TITLE		CLGA1221T1.0-35x35 COLUMN GRID ARRAY	
SCALE	SIZE	DRAWING NO.	REV
4:1	A	160322	A
DO NOT SCALE DRAWING			SHEET 3 OF 3