

TopLine Part # CLGA160T1.27-ISO

Ceramic Dielectric



TEL 1-714-898-3830

Nbr Balls 160 Pitch 1.27mm

Ball Matrix 8 x 20

Singulated Size 11.76mm x 27mm

Contents

Cover..... 1

Pad Layout 2

Top Marking..... 3

Assembly Notes..... 4

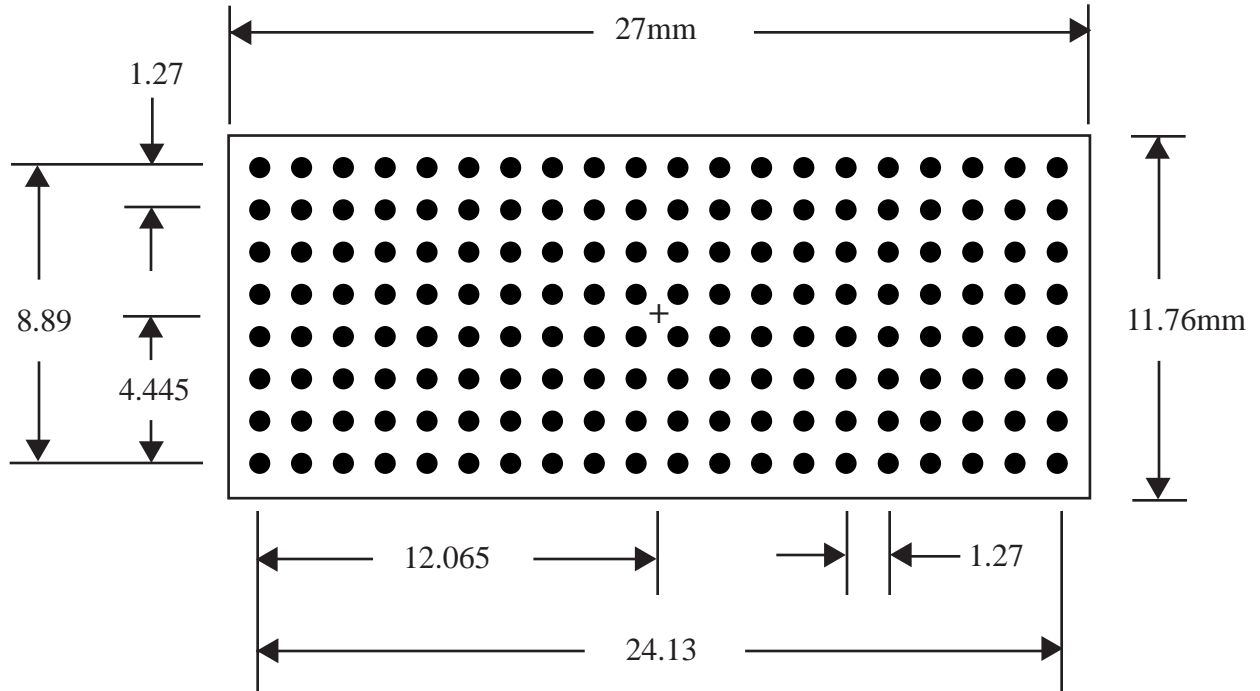
Pad and Solder Mask Details.....5

Raised Pad..... 6

REVISION NOTES		
Rev	Date	Changes
A	2/16/00	

CONFIDENTIAL TOOLING
©1999 TopLine All Rights Reserved

Detail A



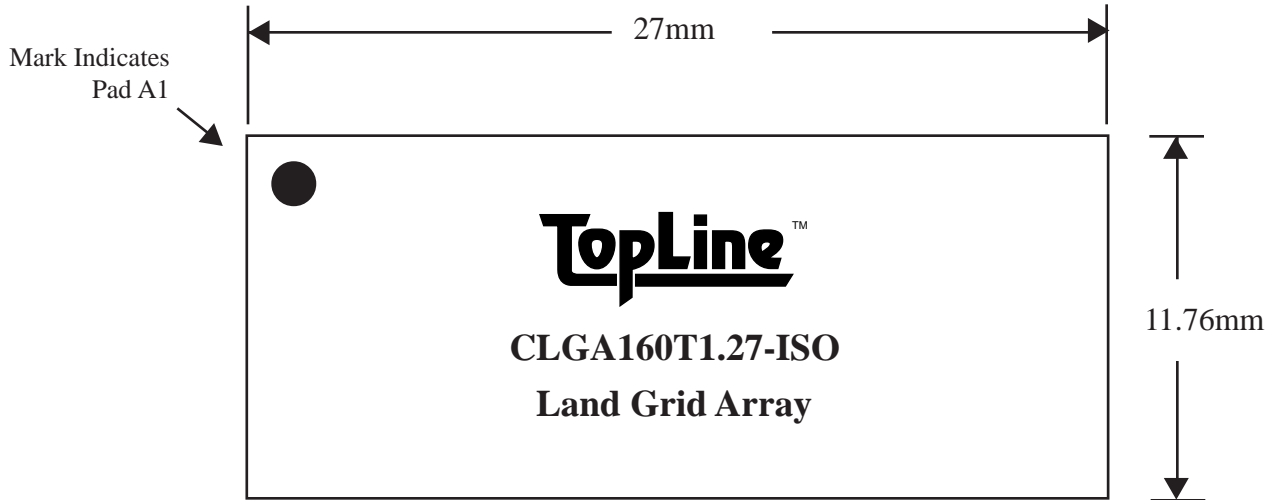
Pad VIEW DETAIL
Dimensions in millimeter (mm)

TopLine Part # CLGA160T1.27-ISO

Ceramic Dielectric



TEL 1-714-898-3830



FRONT MARKING

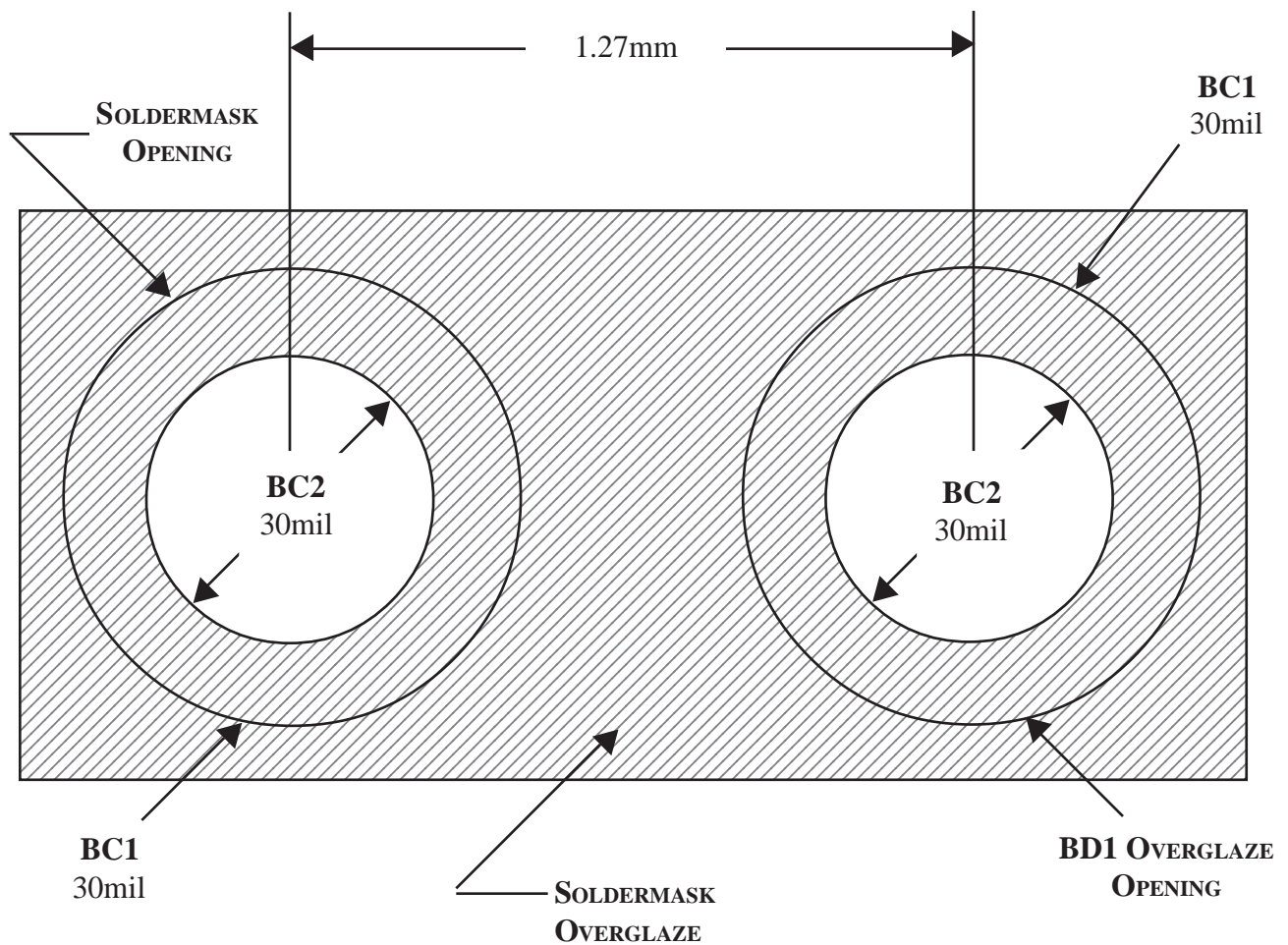
ASSEMBLY NOTES:

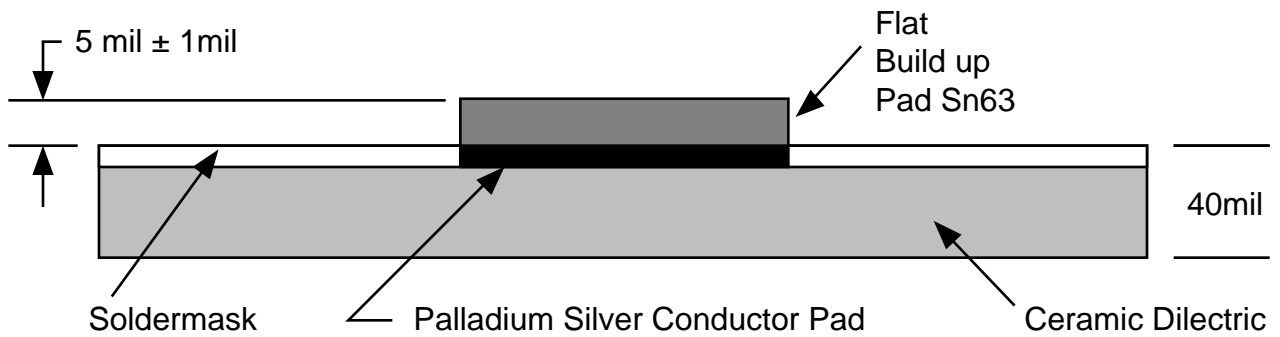
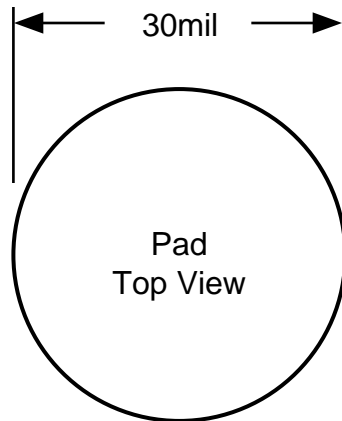
1. Assembly is Depopulated. No Ball Attach.
2. Ceramic is 40mil (1.0mm) thick
3. Ceramic Composition 96% Alumina 4% Talc 1600° Fired
4. Conductors are Palladium Silver
5. Build up conductor height to 5mil (± 1 mil) above the surface of Soldermask using Sn63 or other solder composition.
6. Overglaze is screenprinted translucent blue color
7. Package singulated ceramic in oversized trays
27mm x 27mm with pad side up.

Note: This dielectric will be used as a Land Grid Array for testing sockets. Pad dimensions are not the same as standard CBGA.

Pad and Solder Mask Detail (See pad height Page 6)

<u>Pad Pitch</u>	<u>W Trace</u>	<u>BC1 Conductor Pad</u>	<u>BC2 Solder Mask Opening</u>	<u>BD1</u>
1.27mm	none	30mil	30mil Build up to 5 mils	30mil





CROSS SECTION VIEW of "-E" pad