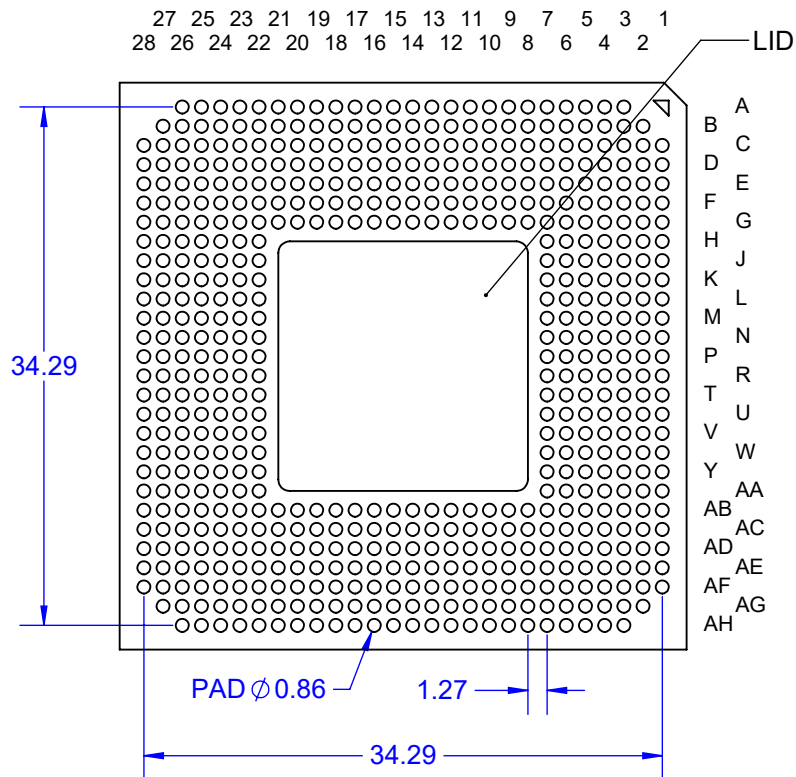
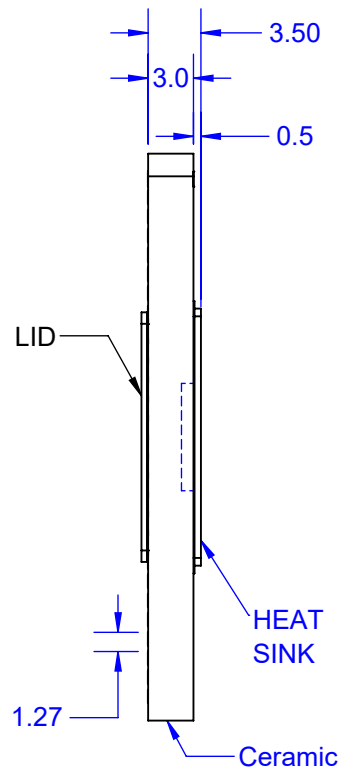


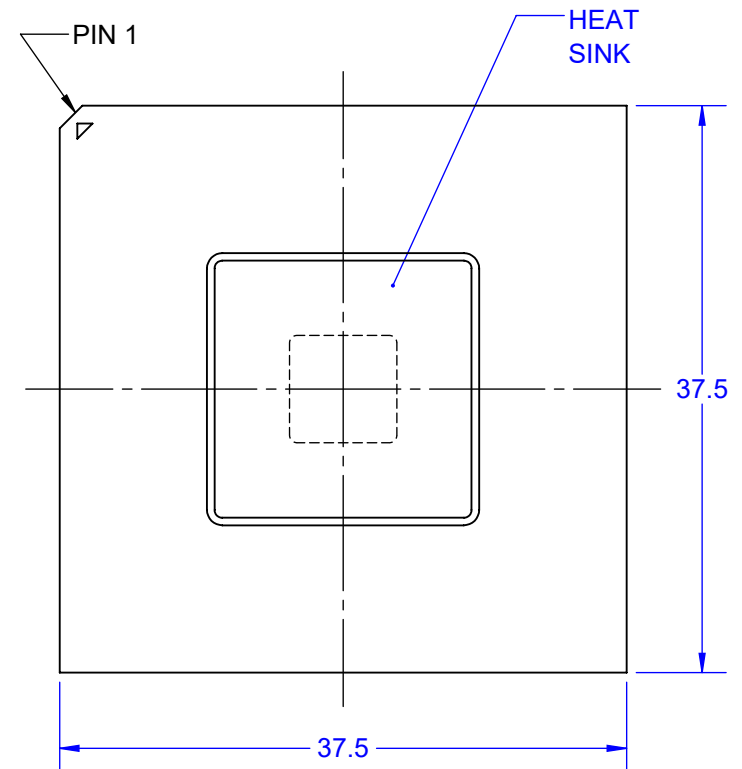
BOTTOM VIEW WITH LID CAVITY DOWN



SIDE VIEW




TOP VIEW WITH HEAT SINK



Notes: (Unless Otherwise Specified).

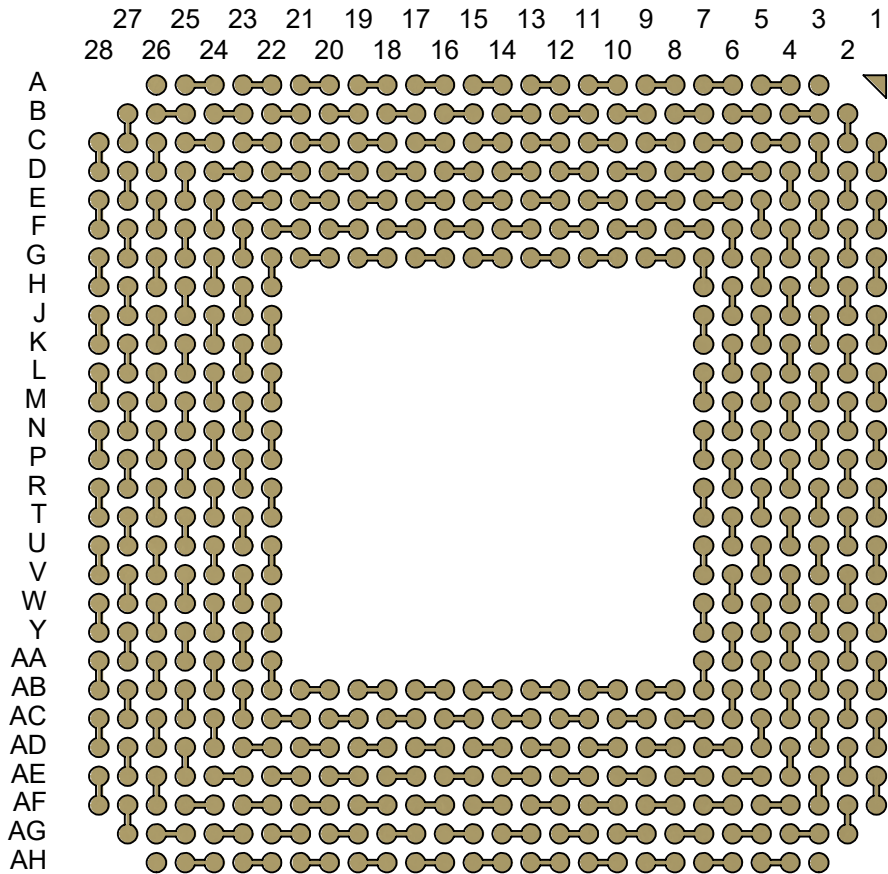
- 1) DIMENSIONS ARE MM.
- 2) SHOWN WITHOUT COLUMNS.
- 3) SHOWN WITH LID COVER ATTACHED.

PART NUMBER OPTIONS			
PART NUMBER	PAD	PAD DIAMETER	COLUMN
CLGA576T1.27-DC284D	Ni Au	ϕ 0.86 MM	NONE

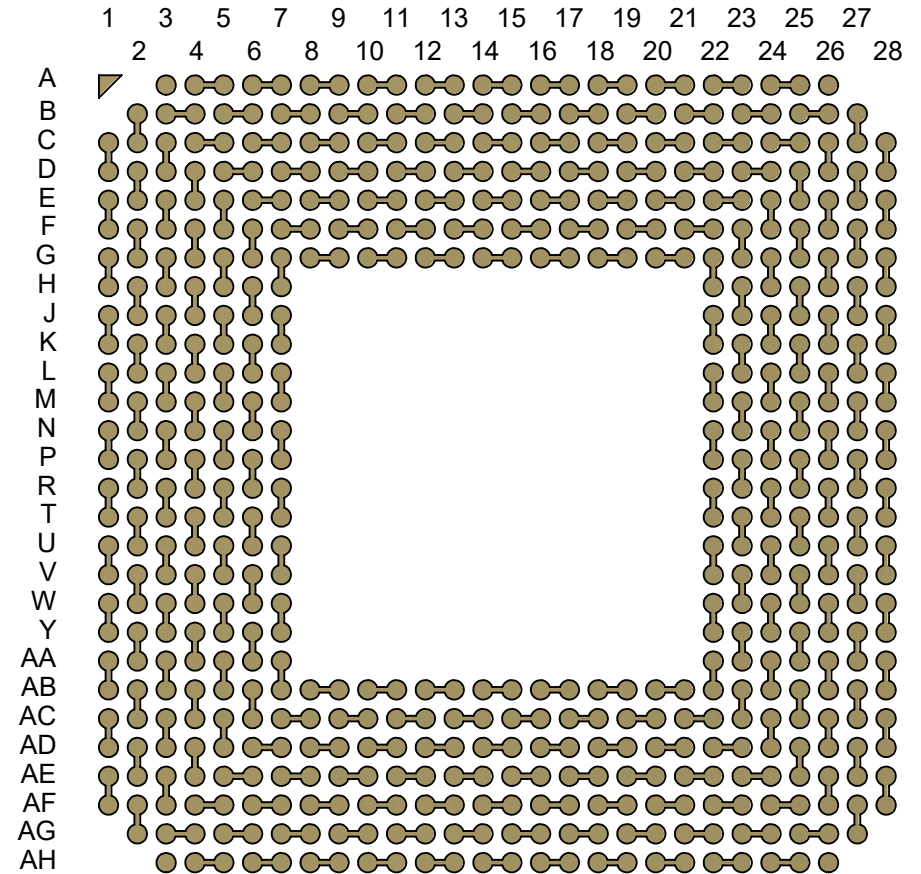
APPROVALS	DATE				
DRAWN T.Au	3/5/2022				
ENG M. Hart	3/5/2022	TITLE CLGA576T1.27-DC284D COLUMN GRID ARRAY			
MFG		SCALE	SIZE	DRAWING NO.	REV
QA		2.5:1	A	160094	A
CUST		DO NOT SCALE DRAWING			SHEET 1 OF 3
REVISED					

DAISY CHAIN PATTERN

COLUMN (PAD) VIEW



TOP X-RAY VIEW



TopLine®

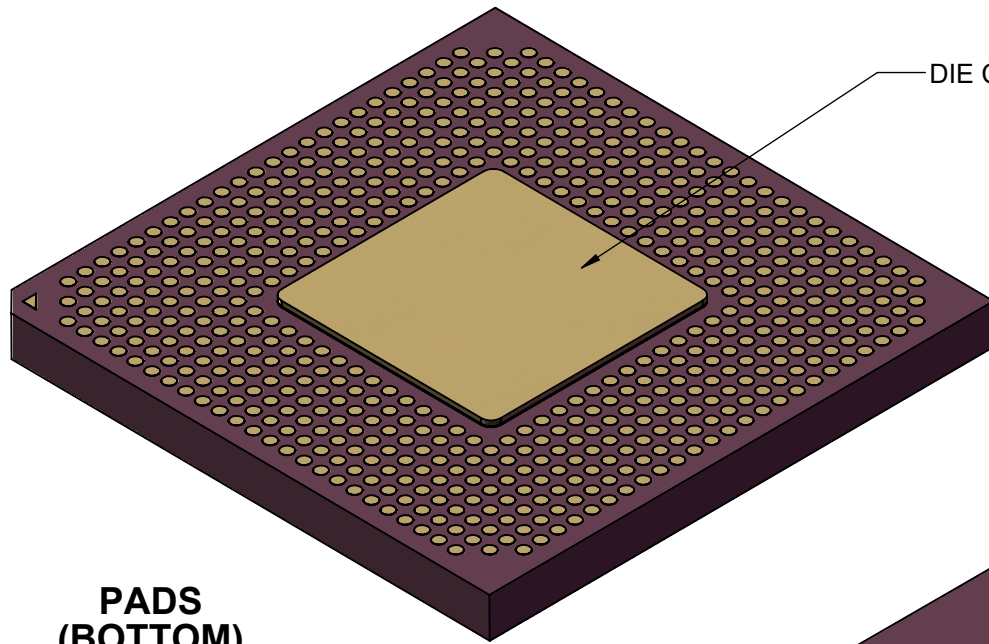
TITLE CLGA576T1.27-DC284D
COLUMN GRID ARRAY

SCALE 4:1	SIZE A	DRAWING NO. 160094	REV A
--------------	-----------	-----------------------	----------

DO NOT SCALE DRAWING

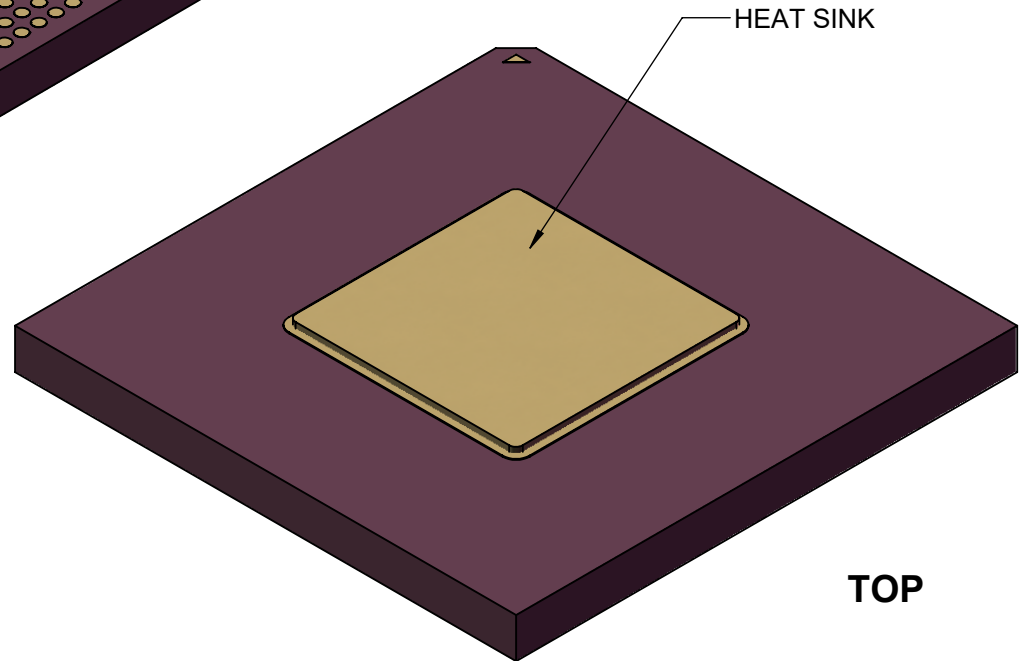
SHEET 2 OF 3

MODEL
CLGA576T1.27-DC284D
LID/COVER ATTACHED



PADS
(BOTTOM)

DIE CAVITY LID



HEAT SINK

TOP

TopLine®

TITLE CLGA576T1.27-DC284D
COLUMN GRID ARRAY

SCALE	SIZE	DRAWING NO.	REV
2.5:1	A	160094	A

DO NOT SCALE DRAWING

SHEET 3 OF 3