

Products

ADVANTEK[Home](#)[Carrier Tape](#)[Cover Tape](#)[Lokreels](#)[Bags](#)[Taping
Machines](#)[Vacuum
Insulation
Panels](#)

Advantek is a worldwide leading supplier of materials and machinery for the surface mount packaging industry. We focus on producing products that protect components from physical and electro-static damage during shipping and handling. Advantek provides a "one stop shop" for your component packaging needs.

[Embossed Carrier Tape](#) - highest quality carrier tape for unsurpassed ease of use.

[Cover Tape](#) - complete selection of heat and pressure activated anti-static or insulative cover tape.

[LOKREEL](#)[®] - plastic packaging reels, Probands and LOKBANDS[®]

[Anti-static and moisture barrier bags](#) - complete selection of materials and bag sizes.

[Tape and reel machine](#) - ATR 1000 manual taping machine.

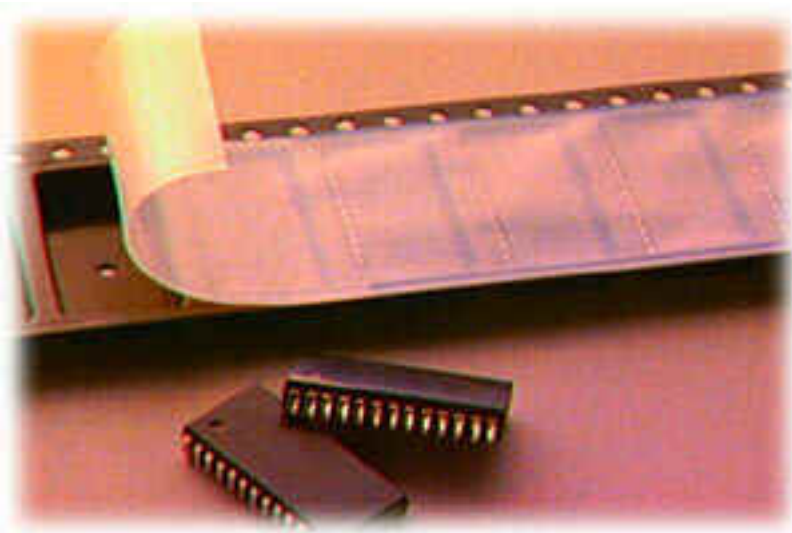
Coinciding with our component packaging and bag manufacturing capabilities, we manufacture additional packaging products supporting other varied industries.

[VACULOK[™] Vacuum Insulation Panels \(VIPs\)](#) - materials and size capabilities to meet a broad range of thermal insulated packaging applications.

We encourage you to [contact us](#) for more information on our products.

28mm deep. We are well versed at manufacturing using a range of materials - from carbon impregnated materials to alternative low cost clear materials. Many of Advantek's carrier tape pocket designs have been awarded patents. The following patents may apply: 5,152,393; 6,047,832; 6,076,681.

- **Speed** - we can produce a custom carrier for your device quickly !! Contact us for more details.
- **Capacity** - we are ready to meet your largest volume demands.
- **World wide distribution network** - we have over 40 sales and stocking distribution facilities globally. All are ready to serve your surface mount component packaging needs.



Open Tool lists: *There are many more carriers available, please contact us with your specific need.*

- [BGA Open Tool list](#) - a list of the published BGA carrier tapes (*pdf 98kb*)
- [QFP Open Tool list](#) - a list of the published QFP carrier tapes (*pdf 160kb*)
- [Open Tool list](#) - a list of the standard published carrier tapes (*pdf 280kb*)



Material Specifications and Technical Data:

- [Carrier tape type C, X and V](#) - Advantek Polystyrene plus carbon (*pdf 12.91KB*)
- [Carrier tape type J, K, L or O](#) - Advantek Homogenous Polystyrene with carbon (*pdf 12.97KB*)
- Carrier tape is designed to comply with the EIA-481 standard.





Open Tooling For BGA Carrier Tape

Also contains KGD (die) and CSP carrier packaging. List sorted by Bo, Ao then Ko.

Advantek Part Number	Support Type	W	P	Ao	Bo	Ko	K1	Pockets Per Meter
CSP-16-D	I	12	8	3.8	3.8	1.2		125.00
CSP-16-E	I	12	8	3.8	3.8	1.5		125.00
BG3939-A	I	12	8	3.9	3.9	1.3		125.00
DIE4.3-A	III	12	8	3.9	3.9	1		125.00
DIE4.3-B	III	12	8	3.9	3.9	1.6		125.00
DIECHP-B		12	8	4.36	4.36		0.58	125.00
DIECHP-D	III	12	8	4.36	4.36	0.86	0.5	125.00
CSP16B-A	I	12	8	4.15	4.4	1.6		125.00
CSP-20-B	II	12	8	3.8	4.8	1.6		125.00
CHIPNT-A		12	8	5	5	1		125.00
BCC5X5-A	III	12	8	5.25	5.25	1		125.00
BCC5X5-B	III	12	8	5.25	5.25	1.8		125.00
CSP-28-A		12	8	4.8	5.8	1.6	1.3	125.00
BG0606-A	I	12	8	6.5	6.5	1.7	1.1	125.00
BCCX32-A	II	16	12	5.26	5.26	1.6	1.1	83.33
BG6464-A	III	16	8	6.4	6.4	2		125.00
BG6868-B	II	16	8	6.8	7.1	1.5	1	125.00
BCC7X7-A	III	16	12	7.25	7.25	1		83.33
BCCX48-A	II	16	12	7.28	7.28	1.43	0.93	83.33
BG0707-A	I	16	12	7.3	7.3	2.7	1.7	83.33
BG0707-B	I	16	12	7.3	7.3	2.3	1.3	83.33
BG0707-C	I	16	12	7.5	7.5	2.3		83.33
BG0707-E	I	16	12	7.5	7.5	1.8	1	83.33
BG0707-F	I	16	12	7.65	7.65	1.8	1	83.33

Dimensions listed specify only the area of the pocket. Specific dimensions of pedestals and other containment features found within the pocket are not provided. Please contact Advantek for verification of fit and function before purchasing. This is a partial listing of Open Tools - we have many more carriers available.



Open Tooling For BGA Carrier Tape

Also contains KGD (die) and CSP carrier packaging. List sorted by Bo, Ao then Ko.

Advantek Part Number	Support Type	W	P	Ao	Bo	Ko	K1	Pockets Per Meter
BG0808-A	I	16	12	8.3	8.3	2.7	1.7	83.33
BG0808-C	I	16	12	8.3	8.3	2	1	83.33
BG0808-I	I	16	12	8.35	8.35	1.8		83.33
BG0608-A	II	16	12	6.5	8.5	2.1	1.3	83.33
BG0808-G	III	16	12	8.5	8.5	1.7		83.33
BGA08M-A	I	16	12	7.1	8.5	1.7		83.33
BGAU48-B	I	16	12	7.4	9	1.5		83.33
CSP-48-A	II	16	12	7.5	9	1.6	1	83.33
BG0909-A	I	16	12	9.3	9.3	2.7	1.7	83.33
BGA21P-E	II	16	12	9	9.3	3	1.8	83.33
BG0609-A	II	16	12	6.4	9.4	2.1	1.4	83.33
BG0809-B	I	16	12	8.5	9.5	1.95		83.33
BG0909-H	I	16	12	9.5	9.5	1.9		83.33
BG46LD-A	II	16	12	7.2	10	1.6	0.9	83.33
BGA32P-F	II	16	12	10.7	10.7	3	1.8	83.33
INCS08-A	I	24	12	8.1	6.6	1.5		83.33
INCS14-A	I	24	12	8.26	6.85	1.64		83.33
INCS15-A	I	24	12	7.64	7.31	1.75		83.33
BG76.5-A	I	24	12	7.1	7.6	2		83.33
BG0808-H	I	24	12	8.3	8.3	1.69	0.92	83.33
BGA7X8-B	I	24	12	7.4	8.4	1.8	1	83.33
BG0808-E	I	24	12	8.6	8.6	1.9	0.95	83.33
INCS04-A	II	24	16	12.3	9.3	2.18	1.4	62.50
INCS05-A	I	24	12	8	9.3	1.5	0.8	83.33

Dimensions listed specify only the area of the pocket. Specific dimensions of pedestals and other containment features found within the pocket are not provided. Please contact Advantek for verification of fit and function before purchasing. This is a partial listing of Open Tools - we have many more carriers available.



Open Tooling For BGA Carrier Tape

Also contains KGD (die) and CSP carrier packaging. List sorted by Bo, Ao then Ko.

Advantek Part Number	Support Type	W	P	Ao	Bo	Ko	K1	Pockets Per Meter
BG0809-A	I	24	12	8.5	9.5	1.95	1.1	83.33
1010BG-A	I	24	12	10.3	10.3	2.5		83.33
BG1010-B	III	24	12	10.3	10.3	1.5		83.33
INCS07-A	II	24	12	8.3	10.3	2	1.2	83.33
INCS13-A	I	24	12	10.35	10.35	1.64		83.33
BG1010-E	I	24	16	10.4	10.4	2.2	1.5	62.50
BGA16M-A	I	24	12	8.2	10.4	1.7		83.33
BGA16M-B	I	24	12	8.4	10.4	1.5		83.33
INCS07-B	I	24	12	8.4	10.4	2.25		83.33
BG7X10-A	I	24	12	7.6	10.6	2	1.1	83.33
BG1111-A	I	24	16	11.3	11.3	2.7	1.7	62.50
BG1111-C	III	24	16	11.7	11.7	2.3		62.50
BG1111-D	I	24	16	11.7	11.7	2.3		62.50
BG9115-A	I	24	12	9.6	12.1	2.1		83.33
BG1212-A	I	24	16	12.3	12.3	2.3	1.3	62.50
BG1212-E	I	24	16	12.3	12.3	1.47	0.77	62.50
INCS06-A	II	24	12	8.3	12.3	2	1.2	83.33
INCS11-A	I	24	16	12.85	12.35	1.75		62.50
INCS16-A	I	24	12	10.35	12.35	2.2		83.33
BG7X12-A	I	24	12	7.4	12.4	2	1	83.33
BG8X12-A	I	24	12	8.4	12.4	2.1	1.3	83.33
BG0812-B	I	24	12	8.6	12.6	2	1	83.33
BG1313-D	I	24	24	13.3	13.3	2.7	1.7	41.67
BG1313-H	III	24	24	13.3	13.3	1.9		41.67

Dimensions listed specify only the area of the pocket. Specific dimensions of pedestals and other containment features found within the pocket are not provided. Please contact Advantek for verification of fit and function before purchasing. This is a partial listing of Open Tools - we have many more carriers available.



Open Tooling For BGA Carrier Tape

Also contains KGD (die) and CSP carrier packaging. List sorted by Bo, Ao then Ko.

Advantek Part Number	Support Type	W	P	Ao	Bo	Ko	K1	Pockets Per Meter
BG1313-I	I	24	16	13.3	13.3	1.71	0.96	62.50
BG1313-E	I	24	24	13.6	13.6	2.7	1.6	41.67
BGA44G-A	III	24	16	12.5	13.8	3		62.50
BG1414-A	III	24	24	14.3	14.3	1.7		41.67
INCS02-B	II	24	12	8.3	14.3	1.95	1.2	83.33
INCS12-A	I	24	12	10.35	14.35	2.04		83.33
CSP-44-A	I	24	12	7.4	14.7	1.6		83.33
196BGA-A	I	24	24	15.3	15.3	2.6	1.6	41.67
208BGA-A	I	24	24	15.3	15.3	2.2	1.2	41.67
BG1515-A	I	24	20	15.3	15.3	2.2	1.2	50.00
BG1515-C	I	24	24	15.3	15.3	2.6	1.6	41.67
BG1515-H	I	24	24	15.3	15.3	2.3	1.6	41.67
BG1315-B	I	24	16	13.5	15.5	1.8	1	62.50
BG1616-A	I	24	20	16.4	16.4	1.9	0.8	50.00
BG0916-A		24	12	9.5	16.5	2.05		83.33
BG1116-A	I	24	16	11.6	16.6	2		62.50
BG1717-D	III	24	24	17.3	17.3	1.75		41.67
BGA-44-A	I	24	12	8.8	17.3	1.55		83.33
BG1515-B	I	32	20	15.3	15.3	2.6	1.6	50.00
BGA86P-A	I	32	20	16.6	18.1	3.4	1.8	50.00
BG1919-A	I	32	24	19.3	19.3	2.7	1.7	41.67
BG1919-B	III	32	24	19.4	19.4	1.9		41.67
B2121P-C	II	32	24	20.05	20.05	3.7	2	41.67
BG2121-B	III	32	24	21.5	21.5	3.4		41.67

Dimensions listed specify only the area of the pocket. Specific dimensions of pedestals and other containment features found within the pocket are not provided. Please contact Advantek for verification of fit and function before purchasing. This is a partial listing of Open Tools - we have many more carriers available.



Open Tooling For BGA Carrier Tape

Also contains KGD (die) and CSP carrier packaging. List sorted by Bo, Ao then Ko.

Advantek Part Number	Support Type	W	P	Ao	Bo	Ko	K1	Pockets Per Meter
B14X22-A	II	44	16	14.4	22.45	3.47	2.19	62.50
BGA119-A	II	44	16	14.4	22.7	3.2	2.1	62.50
BG2323-B	I	44	32	23.3	23.3	3	1.8	31.25
BG23T1-A	I	44	32	23.3	23.3	3	1.8	31.25
BG2323-A	II	44	32	23.5	23.5	3.6	1.9	31.25
BGA169-A	III	44	32	23.5	23.5	2.8		31.25
BG2125-A	I	44	24	21.3	25.3	4	2.4	41.67
BG2525-A	I	44	32	25.3	25.3	4.1	2.5	31.25
BG2125-B	III	44	24	21.5	25.5	3.4		41.67
BG2525-B	III	44	32	25.5	25.5	3.4		31.25
BG2727-C	I	44	32	27.3	27.3	3.8	2.9	31.25
BG2727-A	II	44	32	27.5	27.5	2.9	1.9	31.25
BG2727-B	II	44	32	27.5	27.5	3.6	1.9	31.25
BG27T1-A	I	44	32	27.5	27.5	3.1	1.8	31.25
BG27T1-B	I	44	32	27.5	27.5	3.1		31.25
BGA225-A	II	44	32	27.6	27.6	3.3	2	31.25
BGA256-A	III	44	32	27.6	27.6	2.7		31.25
BG3131-B	I	44	36	31.5	31.5	3.2	1.7	27.78
BG31T1-A	I	44	36	31.5	31.5	3.1		27.78
BG3131-E	I	56	36	31.5	31.5	3.2	1.7	27.78
BG3535-A	II	56	40	35.5	35.5	2.9	1.9	25.00
BG3535-D	II	56	40	35.5	35.5	2.8	1.9	25.00
BG35AV-A	I	56	40	35.5	35.5	3	1.84	25.00
BG35T1-A	I	56	40	35.5	35.5	3.1	1.8	25.00

Dimensions listed specify only the area of the pocket. Specific dimensions of pedestals and other containment features found within the pocket are not provided. Please contact Advantek for verification of fit and function before purchasing. This is a partial listing of Open Tools - we have many more carriers available.



Open Tooling For BGA Carrier Tape

Also contains KGD (die) and CSP carrier packaging. List sorted by Bo, Ao then Ko.

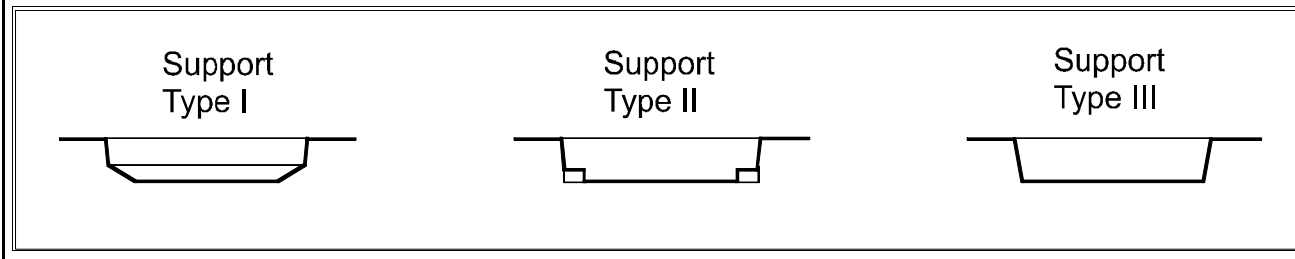
Advantek Part Number	Support Type	W	P	Ao	Bo	Ko	K1	Pockets Per Meter
BG35T1-B	I	56	40	35.5	35.5	3	1.84	25.00
BGA396-A	III	56	40	35.5	35.5	2.8		25.00
BGA396-B	III	56	40	35.5	35.5	1.9		25.00
BG3737-A	I	56	44	37.9	37.9	3	1.8	22.73
BG37T1-A	I	56	44	38.2	38.2	3.35		22.73
BG37T1-C	I	56	44	38.2	38.2	3.69		22.73
BG4040-A	I	56	48	40.3	40.3	2.6	1.1	20.83
BG4242-B	I	56	48	42.8	42.8	5.2	3.7	20.83

Dimensions listed specify only the area of the pocket. Specific dimensions of pedestals and other containment features found within the pocket are not provided. Please contact Advantek for verification of fit and function before purchasing. This is a partial listing of Open Tools - we have many more carriers available.

Open Tooling For BGA Carrier Tape

Also contains KGD (die) and CSP carrier packaging.

- All dimensions are in millimeters (mm).
 - Note: This list is continually expanding. If you need a pocket size not represented here, call or fax us with dimensions and we will be happy to quote a "Closed Tool" (custom pocket) for you.
- * Advantek BGA pocket designs utilize three distinct support styles described as follows:
- Type I pockets have tapered side walls which support the body of the device about its perimeter edges. The Type I design accommodates array patterns which extend very close to the edges of the device while keeping contacts up off the floor of the pocket.
 - Type II pockets have small shelf-type supports about the perimeter. The device body rests on the shelves with contacts up off the floor of the pocket.
 - Type III pockets are conventional flat-bottom designs. Contacts rest on the bottom of the pocket.



Dimensions listed specify only the area of the pocket. Specific dimensions of pedestals and other containment features found within the pocket are not provided. Please contact Advantek for verification of fit and function before purchasing. This is a partial listing of Open Tools - we have many more carriers available.



Open Tooling For QFP Carrier Tape

QFP Body Size	QFP Body Height	Advantek Part Number	Type	W	P	Ao	Bo	Ko	K1	Pockets Per Meter
05 X 05	Up to 1.40	Q05X05-A	B	16	12	7.4	7.4	1.75	1.45	83.33
05 X 05	1.35 to 1.6	Q05X05-B	B	16	12	7.4	7.4	1.9	1.6	83.33
07 X 07	Up to 1.55	Q07X07-B	B	16	12	9.3	9.3	2.2	1.6	83.33
07 X 07	Up to 1.15	Q07X07-C	B	16	12	9.3	9.3	1.8	1.2	83.33
07 X 07	1.25 to 1.45	Q07X07-R	A	16	12	9.5	9.5	2	1.45	83.33
07 X 07	Up to 1.55	Q07X07-A	B	16	12	9.6	9.6	2.2	1.6	83.33
07 X 07	Up to 1.4	Q07X07-P	A	16	12	9.6	9.6	1.9	1.45	83.33
10 X 10	Up to 1.30	Q1010P-A	B	24	16	12.35	12.35	1.85	1.35	62.50
10 X 10	Up to 1.10	Q1010P-D	B	24	16	12.35	12.35	1.65	1.15	62.50
10 X 10	1.45 to 1.65	Q10X10-P	B	24	16	12.35	12.35	2.2	1.7	62.50
10 X 10	2.15 to 2.20	Q10C36-A	A	32	24	14.2	14.2	2.8		41.67
10 X 10	1.78 to 1.83	Q10X10-F	A	24	24	14.2	14.2	2.43	1.83	41.67
10 X 10	1.95 to 2.00	Q10X10-G	A	24	24	14.2	14.2	2.6	2	41.67
12 X 12	Up to 1.55	Q1212P-A	B	24	24	14.4	14.4	2.1	1.6	41.67
12 X 12	Up to 1.15	Q1212P-C	B	24	24	14.4	14.4	1.7	1.2	41.67
12 X 12	Up to 1.55	Q12X12-P	B	24	20	14.4	14.4	2.1	1.6	50.00
12 X 12	0.9 to 1.0	Q12X12-V	A	24	20	15	15	1.7	1	50.00
12 X 12	1.35 to 1.55	Q12X12-R	A	24	24	15.5	15.5	2.2	1.6	41.67
14 X 14	Up to 1.05	Q1414P-A	B	32	24	16.2	16.2	1.7	1.1	41.67
14 X 14	Up to 1.50	Q1414L-C	B	24	24	16.5	16.5	1.9	1.55	41.67
14 X 14	Up to 1.50	Q1414L-D	B	32	24	16.5	16.5	1.9	1.55	41.67
14 X 14	Up to 1.50	Q14X14-P	B	24	20	16.5	16.5	1.9	1.55	50.00
14 X 14	Up to 2.35	Q1414W-A	B	32	24	16.9	16.9	2.8	2.4	41.67
14 X 14	2.6 to 2.8	Q14BSH-A	A	32	24	18	18	3.6	2.8	41.67

Dimensions listed specify only the area of the pocket. Specific dimensions of pedestals and other containment features found within the pocket are not provided. Please contact Advantek for verification of fit and function before purchasing. This is a partial listing of Open Tools - we have many more carriers available.



Open Tooling For QFP Carrier Tape

QFP Body Size	QFP Body Height	Advantek Part Number	Type	W	P	Ao	Bo	Ko	K1	Pockets Per Meter
14 X 14	2.15 to 2.20	Q14X14-C	A	32	24	18	18	3	2.2	41.67
14 X 14	2.75 to 2.80	Q14X14-F	A	32	24	18	18	3.6	2.8	41.67
14 X 14	2.6 to 2.8	Q14X14-H	A	32	24	18	18	3.6	2.8	41.67
14 X 14	2.4 to 2.6	Q14X14-J	A	32	24	18.6	18.6	3.4	2.6	41.67
14 X 14	2.15 to 2.20	Q14X14-B	A	32	24	19.2	19.2	3	2.2	41.67
14 X 20	Up to 2.25	Q1420P-A	B	44	24	16.5	22.5	3	2.3	41.67
14 X 20	Up to 1.75	Q1420P-C	B	44	24	16.5	22.5	2.5	1.8	41.67
14 X 20	Up to 1.55	Q1420P-D	B	44	24	16.5	22.5	2.3	1.6	41.67
14 X 20	Up to 2.85	Q1420P-B	B	44	24	17.7	23.7	3.5	2.9	41.67
14 X 20	3.05 to 3.10	Q14X20-H	A	44	32	19	25	3.9	3.1	31.25
14 X 20	2.85 to 2.90	Q14X20-J	A	44	32	19	25	3.7	2.9	31.25
14 X 20	2.60 to 2.65	Q14X20-K	A	44	32	19	25	3.45	2.65	31.25
14 X 20	2.85 to 2.90	Q14X20-M	A	44	24	19	25	3.7	2.9	41.67
14 X 20	2.7 to 2.9	Q14X20-R	A	44	24	19	25	3.7	2.9	41.67
14 X 20	Up to 1.5	Q14X20-T	A	44	24	19	25	2.3	1.5	41.67
14 X 20	Up to 2.75	Q14X20-S	A	44	32	20	26	3.55	2.75	31.25
16 X 16	1.0 to 1.2	Q16X16-A	A	32	24	19	19	1.7	1.1	41.67
20 X 20	Up to 1.65	Q2020P-A	B	44	24	22.2	22.2	2.2	1.7	41.67
20 X 20	Up to 1.55	Q2020P-B	B	44	32	22.5	22.5	2	1.6	31.25
20 X 20	1.35 to 1.4	L20X20-A	T	44	32	22.63	22.63	2.15	1.42	31.25
20 X 20	Up to 1.4	Q20X20-A	A	44	28	23.5	23.5	2.1	1.4	35.71
24 X 24	1.35 to 1.55	L24X24-A	T	44	32	26.85	26.85	1.8	1.58	31.25
24 X 24	4.25 to 4.30	Q24X24-B	A	44	36	30.6	30.6	4.9	4.3	27.78
28 X 28	3.45 to 3.50	Q28X28-E	A	44	40	32.3	32.3	4.85	3.5	25.00

Dimensions listed specify only the area of the pocket. Specific dimensions of pedestals and other containment features found within the pocket are not provided. Please contact Advantek for verification of fit and function before purchasing. This is a partial listing of Open Tools - we have many more carriers available.



Open Tooling For QFP Carrier Tape

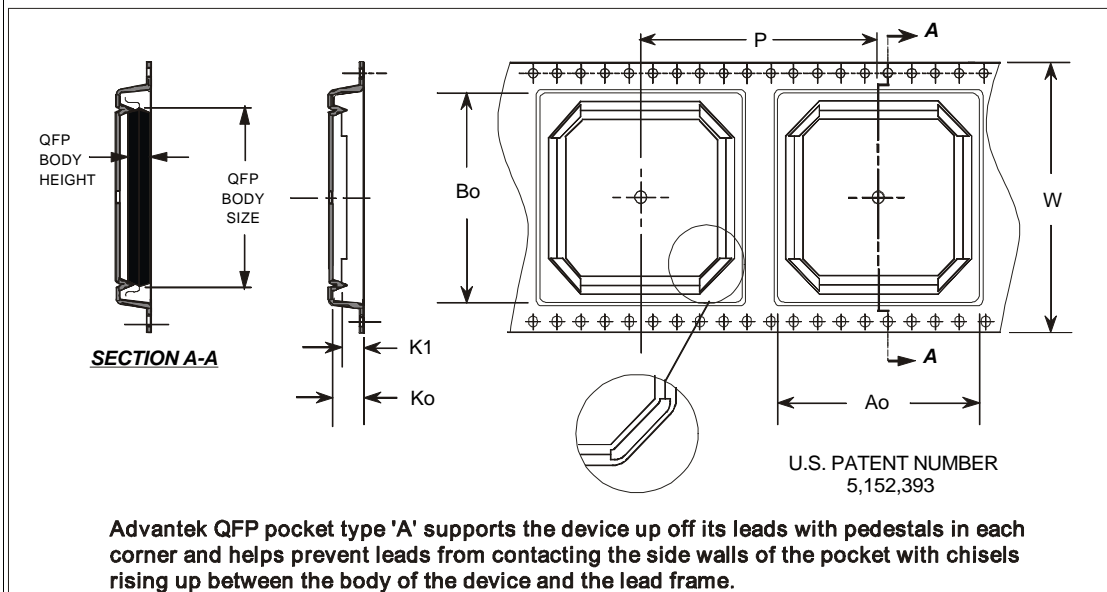
QFP Body Size	QFP Body Height	Advantek Part Number	Typ e	W	P	Ao	Bo	Ko	K1	Pockets Per Meter
28 X 28	3.75 to 3.80	Q28X28-F	A	44	40	32.3	32.3	5.2	3.8	25.00
28 X 28	Up to 3.3	Q28F49-A	A	44	36	32.8	32.8	4.8	3.3	27.78

Dimensions listed specify only the area of the pocket. Specific dimensions of pedestals and other containment features found within the pocket are not provided. Please contact Advantek for verification of fit and function before purchasing. This is a partial listing of Open Tools - we have many more carriers available.

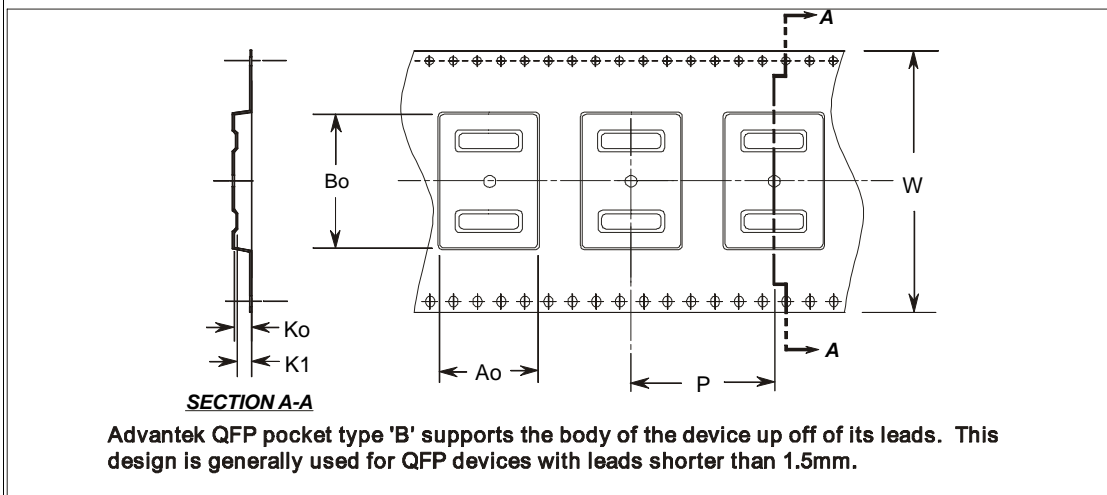
Open Tooling For QFP Carrier Tape

- All dimensions are in millimeters (mm)
- Tolerances on pocket dimensions are ± 0.1 mm.
- QFP pocket styles are specific to package requirements. please see below for general illustrations of Type "A" and Type "B" pockets.
- Due to variances in QFP body sizes, we ask that you discuss your QFP requirements with our technical sales representatives before your initial order.
- Note: This list is continually expanding. If you need a pocket size not represented here, call or fax us with dimensions. If it is not on our "Open Tool" list, we will quote a "Closed Tool" (custom pocket) for you.

QFP POCKET STYLE - TYPE 'A'



QFP POCKET STYLE - TYPE 'B'



Note: Actual pocket designs may differ from those illustrated above.

Dimensions listed specify only the area of the pocket. Specific dimensions of pedestals and other containment features found within the pocket are not provided. Please contact Advantek for verification of fit and function before purchasing. This is a partial listing of Open Tools - we have many more carriers available.



Open Tooling For Carrier Tape

Device	Advantek Part Number	Type	W	P	Ao	Bo	Ko	K1	Pockets Per Meter
CHIP	080511-A	#	8	4	1.58	2.35	1.07		250.00
D-PAK	D-PAKS-A		16	12	10.3	6.9	2.65		83.33
D-PAK	D-PAKA-B		16	12	10.7	6.9	2.7	2.5	83.33
D-PAK	D-PAKT-B	B	16	12	10.7	7.1	2.8	2.4	83.33
D-PAK	D-PAKM-A		16	8	6.9	10.5	2.65		125.00
D-PAK	D-PAKM-D		16	8	6.9	10.5	2.65		125.00
D-PAK	D-PAKM-E	B	16	8	6.9	10.5	2.8	2.6	125.00
D-PAK	D-PAKM-F	B	16	8	6.9	10.5	2.7		125.00
D2PAK	DSQPAK-A		24	16	10.6	15.8	4.9		62.50
D2PAK	DSQPAK-N		24	12	10.6	15.8	4.9		83.33
D2PAK	DSQPAK-E	B	24	16	10.6	16.5	4.9	3.4	62.50
D2PAK	DSQPAK-F	B	24	16	10.6	16.5	4.9	4.7	62.50
D2PAK	DSQPAK-J	B	24	16	10.6	16.5	4.9	3.1	62.50
D2PAK	DSQPAK-M	B	24	16	10.6	16.5	4.9	4.7	62.50
DIP SWITCH (05)	5-POLE-A		24	12	10.3	15.3	4.5		83.33
DIP SWITCH (08)	8-POLE-C		44	12	10.3	21.7	4.5		83.33
MISC	294042-C		12	4	1.9	5	2.7		250.00
MISC	2018SM-A		16	8	5.1	5.6	1.8		125.00
MISC	SOJ44P-B	B	44	16	11.7	29.2	4.3	3	62.50
MISC.	SOD-80-A	III	8	4	1.55	3.6	1.65		250.00
MISC.	SMAFLT-B		12	4	3.12	5.79	2.36		250.00
MISC.	SM-100-A		16	8	5.7	8.1	3.4		125.00
MISC.	TE1608-B		16	8	6.9	8.5	1.9		125.00
MISC.	SM-150-B		16	12	6.9	9.6	3.5		83.33
MISC.	DIP8LD-A		24	16	10.3	9.6	4.7		62.50
MISC.	ISAC2S-A		24	16	12	12	6.2	5.8	62.50
MISC.	144SOD-B		88	32	26.6	70.1	6.4	4.3	31.25
MLF / QFN	ML0303-A		12	8	3.3	3.3	1.1		125.00
MLF / QFN	ML0404-A		12	8	4.35	4.35	1.1		125.00
MLF / QFN	SQC4X4-A		12	8	4.35	4.35	1.6		125.00
MLF / QFN	ML0505-A		12	8	5.25	5.25	1.1		125.00
MLF / QFN	ML0606-A		16	12	6.3	6.3	1.1		83.33
MLF / QFN	ML0707-A		16	12	7.25	7.25	1.1		83.33

Dimensions listed specify only the area of the pocket. Specific dimensions of pedestals and other containment features found within the pocket are not provided. Please contact Advantek for verification of fit and function before purchasing. This is a partial listing of Open Tools - we have many more carriers available.



Open Tooling For Carrier Tape

Device	Advantek Part Number	Type	W	P	Ao	Bo	Ko	K1	Pockets Per Meter
MLF / QFN	ML0808-A		16	12	8.3	8.3	1.1		83.33
MLF / QFN	ML0909-B		16	12	9.3	9.3	1.1		83.33
MLF / QFN	ML1010-A		24	16	10.3	10.3	1.1		62.50
PLCC-18	PLCC18-A		24	12	8.7	13.9	3.75		83.33
PLCC-20	PLC20F-B	B	16	12	10.3	10.3	4.9	4	83.33
PLCC-20	PLC20F-C	B	16	12	10.3	10.3	4.9	3.8	83.33
PLCC-20, Socket	PLSK20-A	B	24	24	16	16	5.6	5.2	41.67
PLCC-28	PLC28D-A	B	24	16	13	13	4.9	3.8	62.50
PLCC-28	PLCC28-A		24	16	13	13	4.9		62.50
PLCC-28	PLCC28-B		24	16	13	13	4.7		62.50
PLCC-28, Socket	PLSK28-A	B	32	24	18.8	18.8	5.6	5.2	41.67
PLCC-32	PLC32F-A	B	24	16	13.1	15.5	4.5	3.5	62.50
PLCC-32	PLCC32-A		24	16	13.1	15.5	3.9		62.50
PLCC-32, Socket	PLSK32-A	B	32	24	18.8	21.3	5.6	5.2	41.67
PLCC-44	PLC44F-C	B	32	24	18	18	4.9	4.2	41.67
PLCC-44	PLC44F-D	B	32	24	18	18	5.7	4.2	41.67
PLCC-44	PLC44F-E	B	32	24	18	18	5.1	4.2	41.67
PLCC-44	PLCC44-A		32	24	18	18	4.9		41.67
PLCC-44, Socket	PLCS44-A		44	32	23.8	23.8	6.8		31.25
PLCC-44, Socket	PLSK44-A	B	44	32	23.8	23.8	5.6	5.2	31.25
PLCC-52	PLC52F-C	B	32	24	20.5	20.5	5.3	4.2	41.67
PLCC-52	PLC52F-D	B	32	24	20.5	20.5	5.7	4.2	41.67
PLCC-52	PLCC52-A		32	24	20.5	20.5	5.3		41.67
PLCC-52, Socket	PLSK52-A	B	44	32	26.2	26.2	5.6	5.2	31.25
PLCC-68	PLC68F-B	B	44	32	25.6	25.6	5.8	4.2	31.25
PLCC-68	PLC68F-C	B	44	32	25.6	25.6	5.8	4.2	31.25
PLCC-68	PLCC68-A		44	32	25.6	25.6	5.3		31.25
PLCC-68, Socket	PLSK68-A	B	44	36	31.4	31.4	5.6	5.2	27.78
PLCC-84	PLC84F-A	B	44	36	30.7	30.7	5.8	4.2	27.78
PLCC-84	PLC84F-C	B	44	36	30.7	30.7	5.8	4.7	27.78
PLCC-84	PLCC84-A		44	36	30.7	30.7	5.3		27.78
PLCC-84, Socket	PLSK84-A	B	56	40	36.3	36.3	5.6	5.2	25.00
Power DSO-20	DSO-20-C	B	24	20	14.7	16.4	4	3.4	50.00

Dimensions listed specify only the area of the pocket. Specific dimensions of pedestals and other containment features found within the pocket are not provided. Please contact Advantek for verification of fit and function before purchasing. This is a partial listing of Open Tools - we have many more carriers available.



Open Tooling For Carrier Tape

Device	Advantek Part Number	Type	W	P	Ao	Bo	Ko	K1	Pockets Per Meter
PSOP-44	PSOP44-B	B	44	32	16.55	28.7	3.47	2.49	31.25
SO24LP	SO24LP-D		24	12	10.4	15.9	3.2	2.8	83.33
SOCKET	ZIFSOC-A	B	44	40	32.5	32.8	4.25		25.00
SOCKET	ZIFSOC2-A	I	44	40	32.5	33.1	4.25	3.5	25.00
SOD323	SOD323-A	B	8	4	1.52	2.9	1.35	1.07	250.00
SOIC-08	SOIC8P-C	B	12	8	6.2	5.2	2.1	1.7	125.00
SOIC-08	SOIC08-A		12	8	6.4	5.2	2.1		125.00
SOIC-08	SOIC8P-F	B	12	8	6.3	5.3	2.1	1.7	125.00
SOIC-08	SO8OPT-B		12	8	6.5	5.3	3.5		125.00
SOIC-08	SOIC08-N		12	8	6.5	5.3	2.1		125.00
SOIC-08	SOIC08-F		16	12	8.3	5.7	2.4		83.33
SOIC-08 (EIAJ)	SO8EIJ-A		12	8	6.7	5.4	2.1		125.00
SOIC-08 MINI	MINSO8-A		12	8	5.3	3.4	1.4		125.00
SOIC-08 OPT	SO-8LD-A		16	12	10.5	8	3		83.33
SOIC-14	SO14-P-B		16	8	6.2	9	2.2	1.8	125.00
SOIC-14	SO14-P-A	B	16	8	6.5	9	2.3	1.8	125.00
SOIC-14	SOIC14-C		16	8	6.5	9	2.1		125.00
SOIC-14	SO-14P-B	B	16	8	6.5	9.5	2.3	1.8	125.00
SOIC-14	SOIC14-A		16	8	6.5	9.5	2.1		125.00
SOIC-14 (EIAJ)	EIAJ14-A	B	16	12	8.4	10.7	2.4	2.1	83.33
SOIC-14 (EIAJ)	S14EIJ-A		16	12	8.7	10.7	2.4		83.33
SOIC-14W	SO-14L-A		16	12	10.9	9.5	3		83.33
SOIC-14W	SO14LP-A	B	16	12	10.9	9.5	3.2	2.7	83.33
SOIC-16	SO-16P-C	B	16	8	6.2	10.3	2.2	1.8	125.00
SOIC-16	SO-16P-B	B	16	8	6.5	10.3	2.3	1.8	125.00
SOIC-16	SOIC16-A		16	8	6.5	10.3	2.1		125.00
SOIC-16	16SOIC-A		16	8	6.9	10.4	2.1		125.00
SOIC-16	16SOIC-B		16	8	6.9	10.4	1.9		125.00
SOIC-16L	SO16LP-B	B	16	12	10.5	10.7	3.2	2.7	83.33
SOIC-16L	SO-16L-A		16	12	10.9	10.7	3		83.33
SOIC-16L	SO16LP-A	B	16	12	10.9	10.7	3.2	2.7	83.33
SOIC-16L	SO16LP-E		16	12	10.9	10.7	3	2.6	83.33
SOIC-18L	SO18LP-A	B	24	16	10.9	12	3.2	2.8	62.50

Dimensions listed specify only the area of the pocket. Specific dimensions of pedestals and other containment features found within the pocket are not provided. Please contact Advantek for verification of fit and function before purchasing. This is a partial listing of Open Tools - we have many more carriers available.



Open Tooling For Carrier Tape

Device	Advantek Part Number	Type	W	P	Ao	Bo	Ko	K1	Pockets Per Meter
SOIC-20 (EIJ)	S20EIA-B	B	24	12	8.6	13.2	2.4	2	83.33
SOIC-20L	SO20LP-C		24	12	10.5	13.3	3.2	2.7	83.33
SOIC-20L	SO-20L-A		24	12	10.9	13.3	3		83.33
SOIC-20L	SO20LP-A	B	24	12	10.9	13.3	3.2	2.7	83.33
SOIC-20L	SO20LP-B	B	24	12	10.9	13.3	3.2	2.7	83.33
SOIC-24L	SO24LX-A	A	24	12	10.9	15.6	3.2	2.7	83.33
SOIC-24L	SO24LP-A	B	24	12	10.8	15.9	3.2	2.8	83.33
SOIC-24L	SO-24L-A		24	12	10.9	16	3		83.33
SOIC-28L	SO-28L-C		24	12	10.9	18.3	3		83.33
SOIC-28L	SO28LP-A	B	24	12	10.9	18.3	3.2	2.7	83.33
SOIC-28L	SO-28L-B		24	12	10.9	18.5	3		83.33
SOIC-28L	SO28SN-A	B	24	16	12.9	18.7	3.2	2.8	62.50
SOIC-28L	SO28PW-A		32	16	10.9	18.4	3.2	2.7	62.50
SOIC-28XWL	S28XWL-A		24	16	12.3	18.8	3		62.50
SOIC-30L	SO30LP-A	B	32	16	10.9	19.6	3.2	2.7	62.50
SOIC-32L	SO32LP-A	B	32	16	14.7	20.9	3.4	3	62.50
SOIC-32L	SO32LP-B	B	32	12	10.9	21.2	3.2	2.6	83.33
SOIC-40L	SOIC40-A		44	24	14.8	26.6	3.3		41.67
SOIC-44L	SO-44L-C		44	24	15.8	29	3.5	3	41.67
SOJ-20/26	SOJ26L-B		24	12	10.3	17.8	4.5	2.38	83.33
SOJ-24 (300 mil)	SOJ24P-A	B	24	12	9.2	16.3	4.3	3	83.33
SOJ-26 (300 mil)	SOJ-26-A		24	12	9.3	17.75	4		83.33
SOJ-26 (300 mil)	SOJ-26-B		24	12	8.8	17.8	3.7		83.33
SOJ-26 (300 mil)	SOJ26P-A	B	24	12	9	17.8	4	2.9	83.33
SOJ-28 (300 mil)	SOJ28P-F	B	24	12	9.2	18.3	4.3	3	83.33
SOJ-28 (300 mil)	SOJ28P-B	B	24	12	9.2	18.8	4.3	3	83.33
SOJ-28 (300 mil)	SOJ-28-D		24	12	9.3	18.8	4		83.33
SOJ-28 (400 mil)	SOJ-28-G		24	16	11.9	18.9	3.9		62.50
SOJ-28 (400 mil)	SOJ28P-D	B	24	16	11.9	18.9	3.9	2.8	62.50
SOJ-28 (400 mil)	SOJ28P-C	B	32	16	11.6	18.9	4.3	3	62.50
SOJ-32 (300 mil)	SOJ32P-C	B	32	16	9	21.7	4.3	3	62.50
SOJ-32 (400 mil)	SOJ-32-B		32	16	11.6	21.5	4		62.50
SOJ-32 (400 mil)	SOJ32P-B	B	32	16	11.6	21.7	4.3	3	62.50

Dimensions listed specify only the area of the pocket. Specific dimensions of pedestals and other containment features found within the pocket are not provided. Please contact Advantek for verification of fit and function before purchasing. This is a partial listing of Open Tools - we have many more carriers available.



Open Tooling For Carrier Tape

Device	Advantek Part Number	Type	W	P	Ao	Bo	Ko	K1	Pockets Per Meter
SOJ-32 (400 mil)	TSOJ32-B	B	44	16	11.9	21.65	4.2	3	62.50
SOJ-34 (500 mil)	SOJ-34-A		44	16	14.3	22.8	4		62.50
SOJ-36 (400 mil)	SOJ36P-C	B	44	16	11.6	24.2	4.4	2.75	62.50
SOJ-40 (400 mil)	SOJ40P-A	B	44	16	11.6	26.55	4.4	2.75	62.50
SOJ-40 (400 mil)	SOJ40P-B	B	44	16	11.6	26.55	4.4	3.4	62.50
SOJ-40 (400 mil)	SOJ40P-C	B	44	16	11.6	26.55	4.1	2.75	62.50
SOJ-40 (400 mil)	SOJ40P-D	B	44	16	11.6	26.55	4	2.75	62.50
SOJ-40 (400 mil)	SOJ-40-B		44	16	11.6	26.6	3.9		62.50
SOJ-42 (400 mil)	SOJ-42-A		44	16	11.7	27.8	3.9		62.50
SOJ-42 (400 mil)	SOJ42P-A	B	44	16	11.7	27.8	3.9	2.8	62.50
SOJ-44 (400 mil)	SOJ44P-A	B	44	16	11.7	29.2	4.3	3	62.50
SOJ-50	SOJ50P-A	B	44	24	16.8	29	5.5	5	41.67
SOJ-54 (400 mil)	TSOJ54-B		44	16	11.9	22.7	3.7		62.50
SOMC-14	SOMC14-A		24	12	8.2	10.3	2.5		83.33
SOMC-16	SOMC16-E		24	12	8.2	11.6	2.5		83.33
SOP-08	SOP-08-A		12	8	6.9	5.4	2		125.00
SOP-08	SOP-08-C		12	8	6.9	5.4	1.9		125.00
SOP-08	SOP08P-A	B	12	8	6.9	5.4	2	1.7	125.00
SOP-08 MINI	TMSOP8-A	B	12	8	5.2	3.3	1.6	1.2	125.00
SOP-16	SOP-16-A	B	16	12	8.2	10.5	2.5	2.1	83.33
SOP-20	SOP20P-B	B	24	12	8.2	13	2.5	2.1	83.33
SOP-20	SOP-20-A		24	12	8.6	14.4	2.6		83.33
SOP-24	SOP-24-B		24	12	8.5	15.7	2.3		83.33
SOP-28	SOP28P-B	B	24	16	12.5	18.7	3.4	2.8	62.50
SOP-28	SOP28X-A	A	24	16	13.2	18.7	3.4	2.7	62.50
SOP-28	SOP28X-B	A	24	16	13.2	18.7	3.4	2.7	62.50
SOP-44	SOP44P-A	B	44	24	16.6	28.9	3.5	2.7	41.67
SOP-44	SOP44P-B	B	44	24	16.6	28.9	3.8	3	41.67
SOT	SOT163-B	B	24	12	10.8	13.3	2.85	2.45	83.33
SOT- 23 (3-lead)	SOT-23-A		8	4	3.1	2.7	1.2		250.00
SOT- 23 (3-lead)	SOT-23-C	#	8	4	3.1	2.9	1.24		250.00
SOT- 23 (3-lead)	SOT-23-F	#	8	4	3.1	2.9	1.24		250.00
SOT- 23 (3-lead)	SOT-23-G	#	8	4	3.1	3	1.3		250.00

Dimensions listed specify only the area of the pocket. Specific dimensions of pedestals and other containment features found within the pocket are not provided. Please contact Advantek for verification of fit and function before purchasing. This is a partial listing of Open Tools - we have many more carriers available.



Open Tooling For Carrier Tape

Device	Advantek Part Number	Type	W	P	Ao	Bo	Ko	K1	Pockets Per Meter
SOT- 23 (5-lead)	SOT-23-D	#	8	4	3.15	2.55	1.07		250.00
SOT- 23 (6-lead)	SOT-23-E	#	8	4	3.15	3.2	1.4		250.00
SOT- 89	SOT-89-B	#	12	8	4.8	4.5	1.8		125.00
SOT- 223	SOT223-D		12	8	6.9	7.5	2.1		125.00
SOT- 223	SOT223-C		16	12	7	7.5	2.2	2.22	83.33
SOT- 223	SOT223-E		16	8	7	7.5	2.2		125.00
SOT-142	SOT142-A	B	44	24	16.4	22.3	4.1	2.6	41.67
SOT-143	SOT143-A		8	4	3.2	2.7	1.35		250.00
SOT-23	SOT23L-A		12	8	3.9	3.5	1.5		125.00
SSOP-08	SSOP8P-A	B	16	12	8.2	3.6	2.5	2.1	83.33
SSOP-08	SSOP08-C	B	16	8	3.4	8.3	2.54	1.91	125.00
SSOP-14/16	SSOP16-A	B	16	12	8.2	6.6	2.5	2.1	83.33
SSOP-20	SSOP20-T	B	16	12	6.9	7	2.1	1.6	83.33
SSOP-20	SSOP20-A		16	12	7.1	7.2	2		83.33
SSOP-20	SSOP20-C	B	16	12	8.2	7.5	2.5	2.1	83.33
SSOP-20	SSOP20-B	A	16	12	8.2	7.6	3	2.3	83.33
SSOP-24	SSOP24-B	A	16	12	8.2	8.6	3	2.3	83.33
SSOP-24	SSOP24-C	B	16	12	8.2	8.8	2.5		83.33
SSOP-28	SSOP28-F	A	16	12	8.2	10.6	2.5	2.1	83.33
SSOP-28	SSOP28-C	A	24	12	8.4	10.9	2.4	2	83.33
SSOP-28	SSOP28-D	B	24	12	8.4	10.9	2.4	2	83.33
SSOP-48	SSOP48-E	B	32	16	10.8	16.2	3.2	2.5	62.50
SSOP-48	SSOP48-H	A	32	16	11.1	16.2	3.2	2.4	62.50
SSOP-48	SSOP48-A	A	32	16	12	16.2	3.2	2.4	62.50
SSOP-48	SSOP48-D	A	32	16	12	16.2	3.2	2.4	62.50
SSOP-56	SSOP56-A	A	32	16	12	18.74	3.2	2.4	62.50
SSOP-56	SSOP56-B	A	32	16	12	18.74	3.2	2.4	62.50
SSOP-56	SSOP56-D	B	44	24	16.6	24.3	2.4	1.5	41.67
SSOP-60	SSOP60-A	B	32	24	19.6	20.6	3.2	1.64	41.67
SSOP-64	SSOP64-A	B	44	16	14	26.6	3.5	3	62.50
SSOP-72	SSOP72-A	B	44	16	13.7	25.8	2.5	1.8	62.50
TANT CAP-C	TANT.C-A	*	12	8	3.5	6.4	2.9		125.00
TANT CAP-D	TANT.D-A	*	12	8	4.6	7.5	3.1		125.00

Dimensions listed specify only the area of the pocket. Specific dimensions of pedestals and other containment features found within the pocket are not provided. Please contact Advantek for verification of fit and function before purchasing. This is a partial listing of Open Tools - we have many more carriers available.



Open Tooling For Carrier Tape

Device	Advantek Part Number	Type	W	P	Ao	Bo	Ko	K1	Pockets Per Meter
TANT CAP-D	TANT.D-B		12	8	4.6	7.5	1.4		125.00
TANT D	TANT-D-B	#	12	8	4.72	7.37	3.18		125.00
TO-220	TO-220-A		32	16	10.7	19.8	6.1	5.2	62.50
TO-263 03,5,7Lead	TO-263-A		24	16	10.75	14.85	5		62.50
TO-263 15-Lead	TO-263-B		32	24	20.6	16.77	5		41.67
TRIM-POT	TRMPOT-F		12	8	4.3	4.4	2.8		125.00
TSOP-20/24 (T1)	TSOP24-B	B	24	12	9.7	17.7	2.1	1.3	83.33
TSOP-24 (T2)	24TSOP-A		24	12	9.7	17.7	1.6		83.33
TSOP-24/28/40/44 (T2)	TSOP44-C	B	32	16	12.4	19	2.55	1.75	62.50
TSOP-28 (T1)	TSOP28-B	B	24	12	8.7	13.9	2.1	1.3	83.33
TSOP-32 (T1)	TSOP32-F	B	32	12	8.5	20.6	2.1	1.3	83.33
TSOP-32 (T1)	TSOP32-C	B	32	16	8.6	20.6	2.1	1.3	62.50
TSOP-40 (T1)	TSOP40-B	B	32	16	10.3	20.2	1.7	1.1	62.50
TSOP-40/44 (T2)	TSOP44-A	B	32	16	12.4	19	2.1	1.3	62.50
TSOP-44/50 (T2)	TSOP50-A	B	32	16	12.4	21.4	2.1	1.3	62.50
TSOP-48 (T1)	TSOP48-C	B	32	16	12.3	20.2	1.7	1.2	62.50
TSOP-48 (T1)	TSOP48-F	B	32	16	12.5	20.6	2.1	1.3	62.50
TSOP-54 (T2)	TSOP54-N	B	32	16	12.4	22.4	2.1	1.3	62.50
TSOP-54 (T2)	TSOP54-V	B	44	16	12.3	22.6	1.8	1.3	62.50
TSOP-54 (T2)	TSOP54-B	B	44	16	12.2	22.8	2.1	1.3	62.50
TSOP-54 (T2)	TSOP54-C		44	16	12.2	22.8	2.55	1.75	62.50
TSOP-54 (T2)	TSOP54-E		44	16	12.2	22.8	2.15	1.35	62.50
TSOP-56	TSOP56-A		32	20	14.2	20.2	1.7	1.1	50.00
TSOP-56 (T1)	TSOP56-B	B	32	24	14.2	20.2	1.7	1.1	41.67
TSSOP-08	TSSP08-A	B	12	8	7	3.6	1.6	1.2	125.00
TSSOP-08	TSSO-8-B	B	16	8	6.8	3.4	1.6	1.3	125.00
TSSOP-16	TSSO16-B	B	12	8	6.8	5.4	1.6	1.3	125.00
TSSOP-16	TSSP16-A	B	12	8	6.95	5.6	1.6	1.2	125.00
TSSOP-16	TSSO16-A	B	16	8	6.8	5.4	1.6	1.3	125.00
TSSOP-16	TSSP16-B	B	16	8	6.95	5.6	1.6	1.2	125.00
TSSOP-20	TSSP20-B	B	16	8	6.8	6.9	1.6	1.2	125.00
TSSOP-20	TSSP20-A	B	16	8	6.95	7.1	1.6	1.2	125.00
TSSOP-24	TSSO24-C	B	16	12	6.9	8.3	1.8	1.3	83.33

Dimensions listed specify only the area of the pocket. Specific dimensions of pedestals and other containment features found within the pocket are not provided. Please contact Advantek for verification of fit and function before purchasing. This is a partial listing of Open Tools - we have many more carriers available.



Open Tooling For Carrier Tape

Device	Advantek Part Number	Type	W	P	Ao	Bo	Ko	K1	Pockets Per Meter
TSSOP-24	TSSP24-A	B	16	8	6.95	8.3	1.6	1.2	125.00
TSSOP-28	TSSP28-A	B	16	8	6.8	10.2	1.6	1.2	125.00
TSSOP-28	TSSO28-A	B	16	12	6.9	10.2	1.8	1.3	83.33
TSSOP-32	TSSP32-A		24	12	8.6	11.5	1.6	1.2	83.33
TSSOP-32	TSSP32-B	B	24	12	8.6	11.5	1.5	1.1	83.33
TSSOP-40	TSSP40-A		24	16	12.3	18.8	1.6		62.50
TSSOP-48	TSSO48-B		24	12	8.6	13	1.8	1.3	83.33
TSSOP-48	TSSO48-C	B	24	12	8.6	13	1.8	1.3	83.33
TSSOP-48	TSSP48-A	B	24	12	8.6	13.2	1.6	1.2	83.33
TSSOP-56	TSSO56-D	B	24	12	8.6	14.5	1.8	1.3	83.33
TSSOP56	TSSO56-C		24	12	8.6	14.5	1.8	1.3	83.33
TVSOP- 16	TVSP16-B	B	12	8	6.8	4	1.6	1.2	125.00
TVSOP- 16	TVSP16-A	B	16	8	6.8	4	1.6	1.2	125.00
TVSOP- 48	TVSP48-A	B	24	12	6.8	10.1	1.6	1.2	83.33
TVSOP- 56	TVSP56-A	B	24	12	6.8	11.7	1.6	1.2	83.33
VSO-40	40-VSO-B	A	24	16	12.5	16.3	3.3	2.75	62.50
VSO-40	40-VSO-F	A	24	16	12.9	16.3	3.3	2.45	62.50
VSO-56	56-VSO-A	B	32	20	16	22.3	3.8	3.2	50.00
VSO-56	56-VSO-D	A	32	20	16.4	22.3	3.8	3	50.00

Dimensions listed specify only the area of the pocket. Specific dimensions of pedestals and other containment features found within the pocket are not provided. Please contact Advantek for verification of fit and function before purchasing. This is a partial listing of Open Tools - we have many more carriers available.

Open Tooling For Carrier Tape

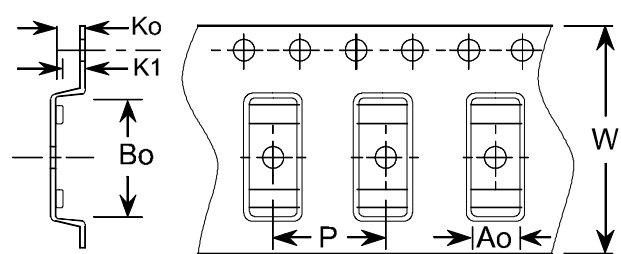
A Type 'A' pocket design utilizes chisel-style topography to provide lateral and vertical support of the device.

B Type 'B' pocket design utilizes pedestal-style topography to provide vertical support to the body of the device. Bottom topography can enhance lead protection - actual style of topography may differ from that shown.

This tape is made of nonconductive, clear polystyrene.

* Special level-wound reels available.

- All dimensions are in millimeters (mm).
- Tolerances on pocket dimensions are $\pm 0.1\text{mm}$.
- Pocket dimensions are rounded to 1 decimal place for purposes of clarity and ease of use as a reference.
- References EIA Standard 481-1, 2 & 3.
- Custom meter lengths available upon request.



NOTE: This list is continually expanding. If you need a pocket size not represented here, call or fax us with the dimensions. If it is not in our 'Open Tool' list, we will quote a 'Closed Tool' (custom pocket), for you.

Dimensions listed specify only the area of the pocket. Specific dimensions of pedestals and other containment features found within the pocket are not provided. Please contact Advantek for verification of fit and function before purchasing. This is a partial listing of Open Tools - we have many more carriers available.

Advantek is a worldwide leading supplier of materials and machinery for the surface mount packaging industry. We focus on producing products that protect components from physical and electro-static damage during shipping and handling. Advantek provides a "one stop shop" for your component packaging needs.

[Embossed Carrier Tape](#) - highest quality carrier tape for unsurpassed ease of use.

[Cover Tape](#) - complete selection of heat and pressure activated anti-static or insulative cover tape.

[LOKREEL](#)[®] - plastic packaging reels, Probands and LOKBANDS[®]

[Anti-static and moisture barrier bags](#) - complete selection of materials and bag sizes.

[Tape and reel machine](#) - ATR 1000 manual taping machine.

Coinciding with our component packaging and bag manufacturing capabilities, we manufacture additional packaging products supporting other varied industries.

[VACULOK™ Vacuum Insulation Panels \(VIPs\)](#) - materials and size capabilities to meet a broad range of thermal insulated packaging applications.

We encourage you to [contact us](#) for more information on our products.