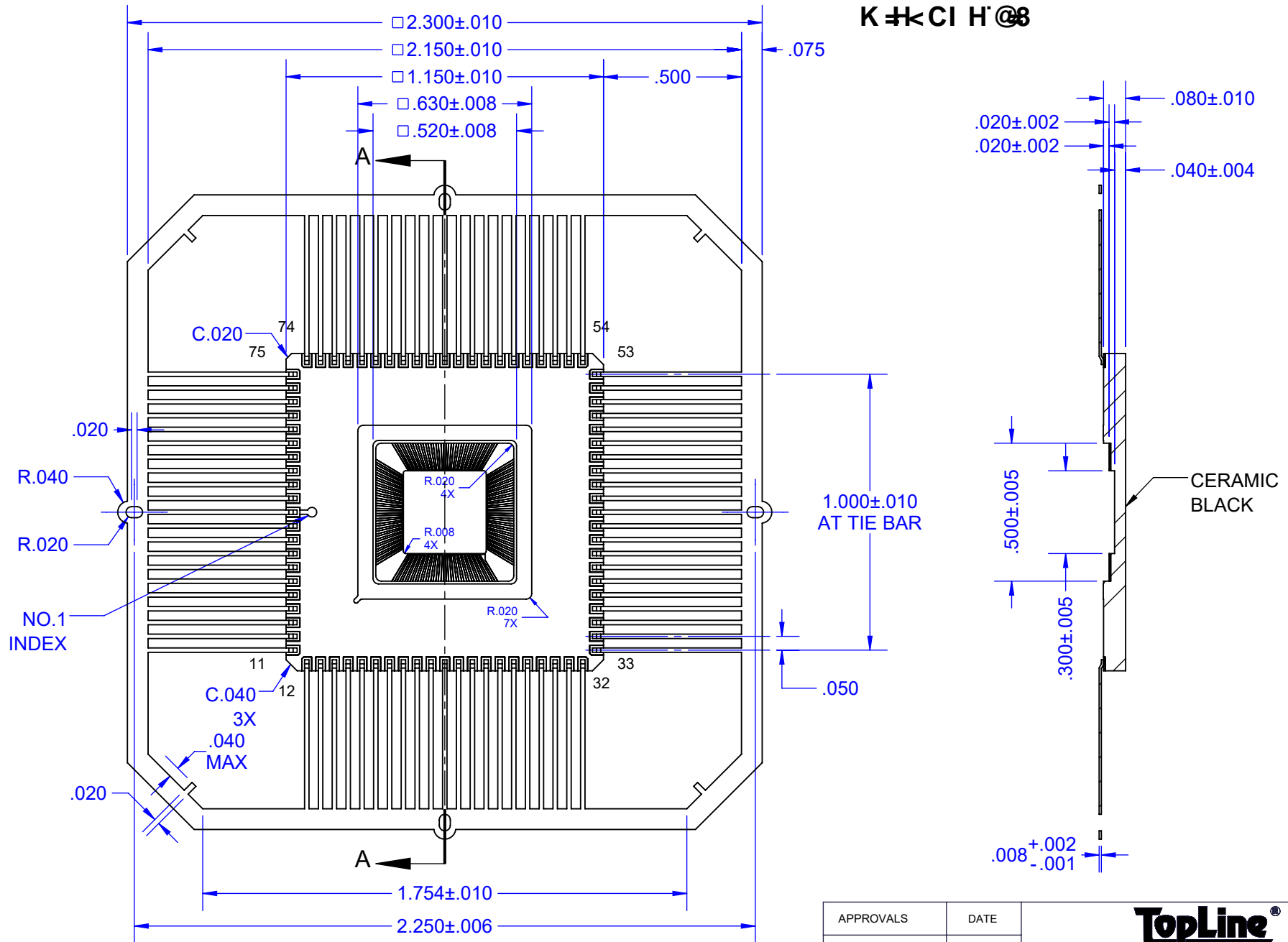
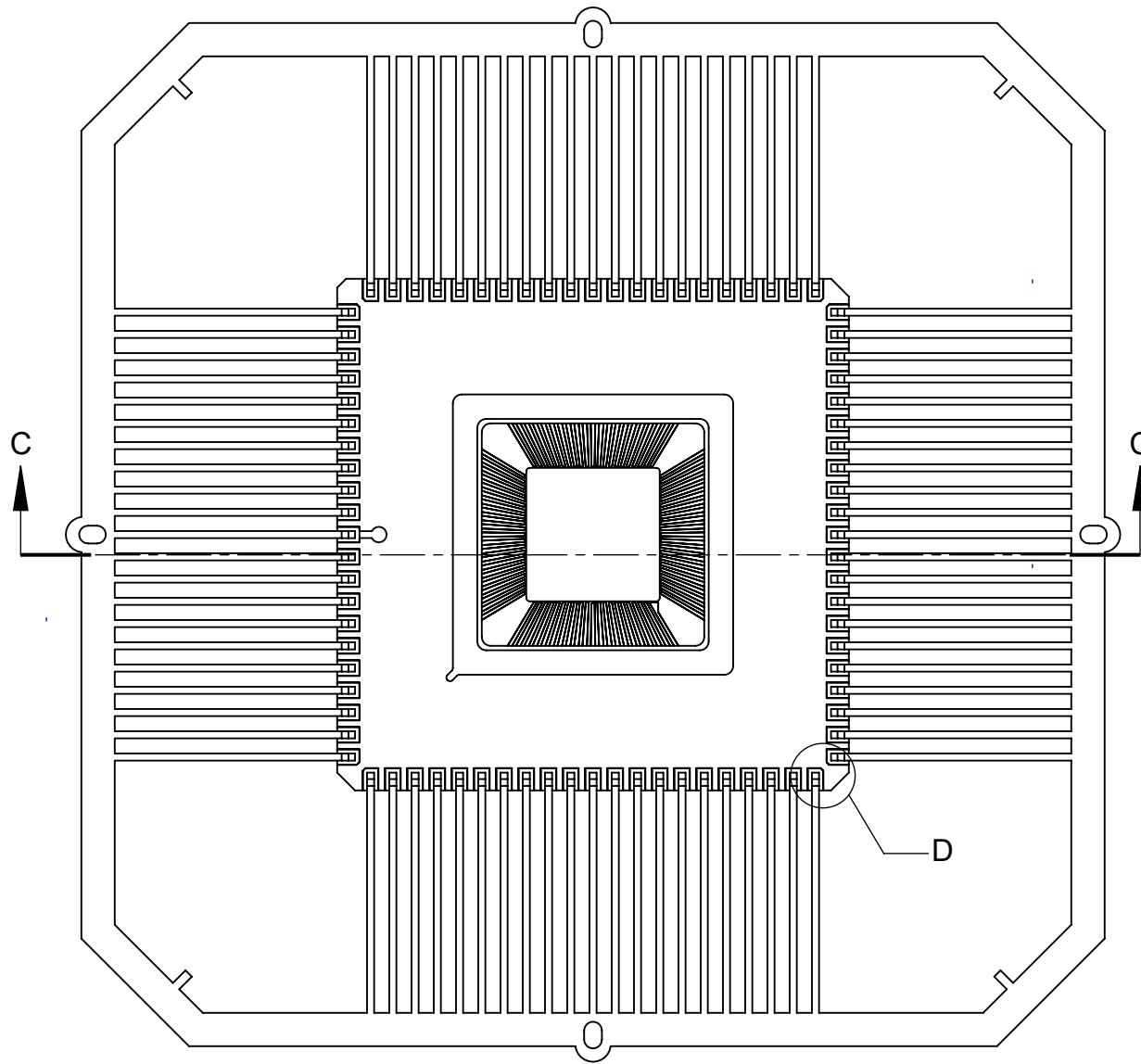


K H < C I H @ 8

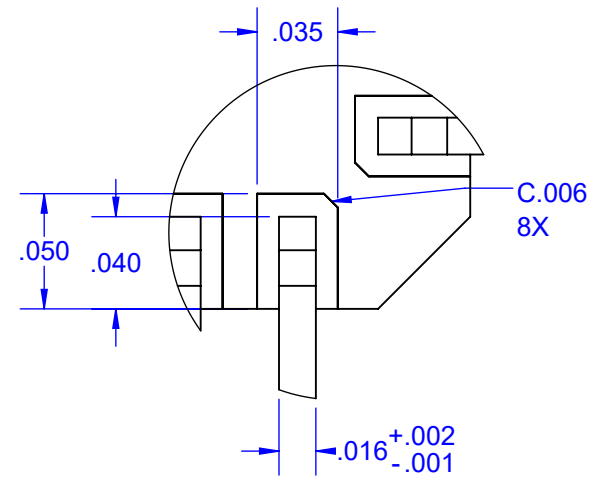


- Notes: (Unless Otherwise Specified)
- 1) DIMENSIONS: INCH [mm].
 - 2) FLAT LEADS ON TIE BAR KOVAR OR ALLOY 42.
 - 3) ALL EXPOSED METAL GOLD PLATED (Au).
 - 4) LEAD PITCH 50 MILS (1.27mm).

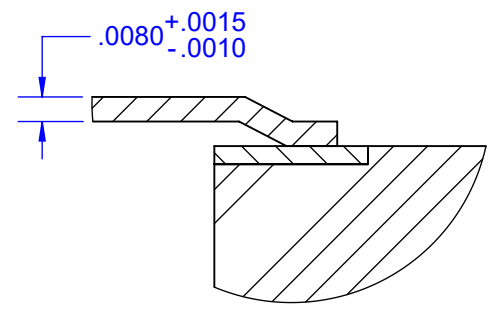
APPROVALS	DATE	TopLine®			
DRAWN T. Au	3/12/2021				
ENG M. Hart	3/12/2021	TITLE CERQUAD84F50-N300 84 PIN PITCH 0.050-INCH			
MFG		SCALE 2:1	SIZE A	DRAWING NO. 167817	REV A
QA		DO NOT SCALE DRAWING			SHEET 1 OF 5
CUST					
REVISED					



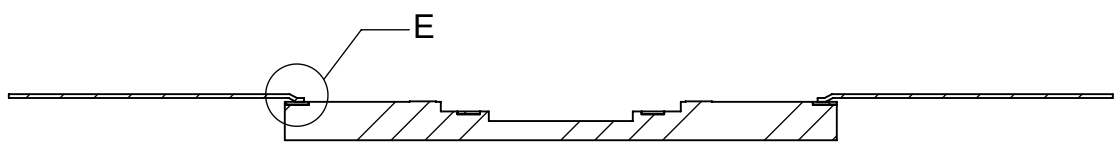
79FEI 58' @ 58' : F5A9
K # k CI H' @ 8



DETAIL D
SCALE 12 : 1



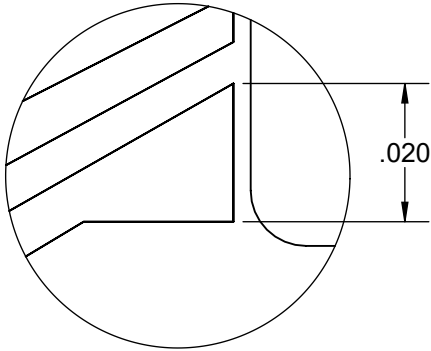
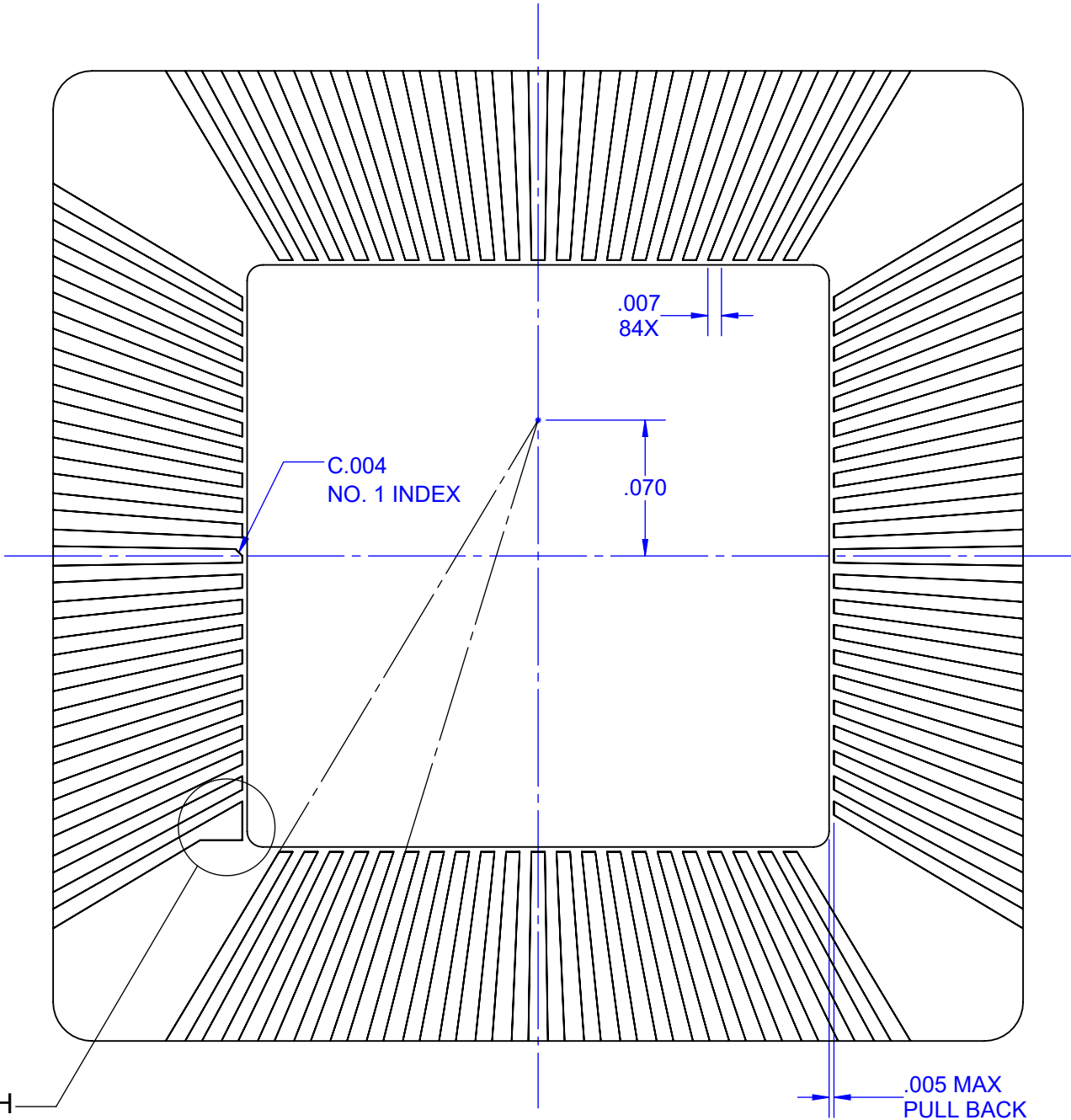
DETAIL E
SCALE 16 : 1



SECTION C-C

TopLine®			
TITLE CERQUAD84F50-N300 84 PIN PITCH 0.050-INCH			
SCALE 2.5:1	SIZE A	DRAWING NO. 167817	REV A
DO NOT SCALE DRAWING			SHEET 2 OF 5

75 J-HM6 CB8 'D5 8 '8 9 H5 =@



DETAIL H
SCALE 36 : 1

TopLine[®]

TITLE CERQUAD84F50-N300
84 PIN PITCH 0.050-INCH

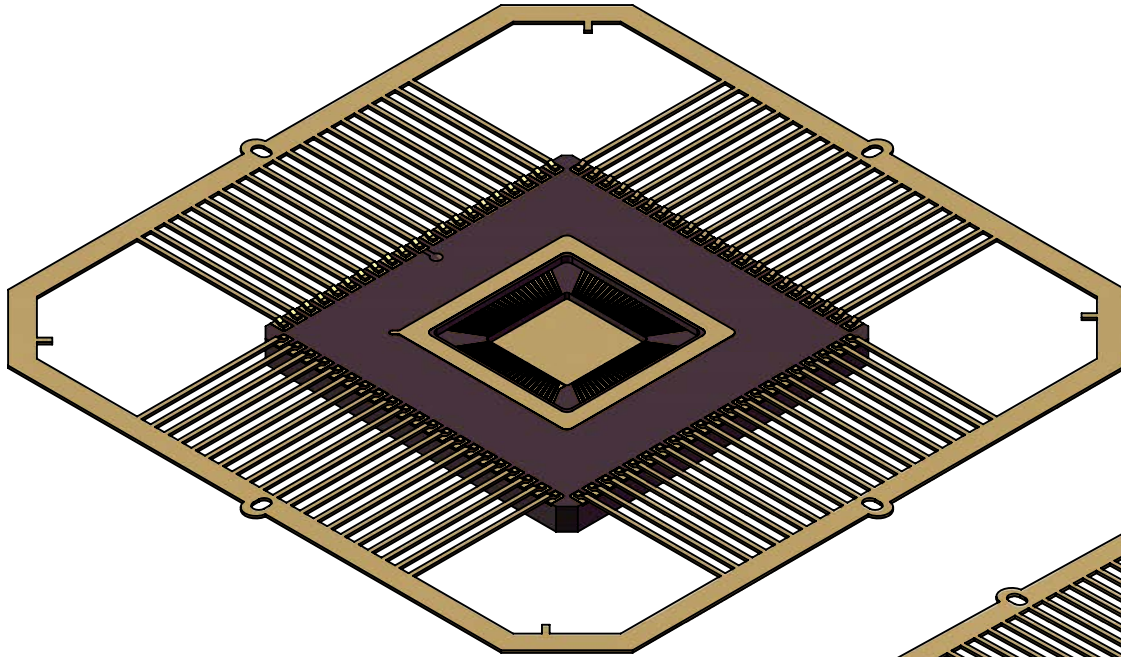
SCALE	SIZE	DRAWING NO.	REV
12:1	A	167817	A

DO NOT SCALE DRAWING

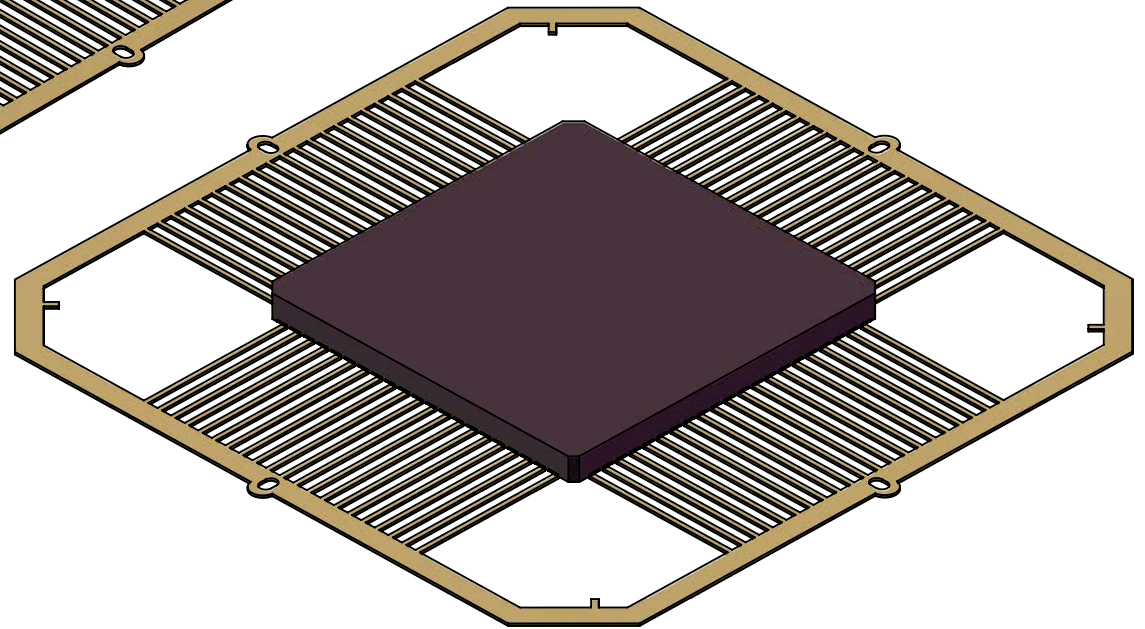
SHEET 3 OF 5

AC89@

HCD
K H<CI H'@8



6 CHCA



TopLine[®]

TITLE CERQUAD84F50-N300
84 PIN PITCH 0.050-INCH

SCALE 2:1	SIZE A	DRAWING NO. 167817	REV A
--------------	-----------	-----------------------	----------

DO NOT SCALE DRAWING

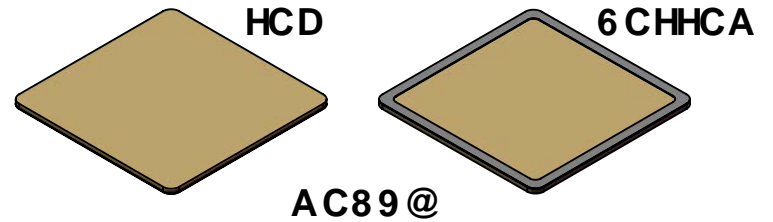
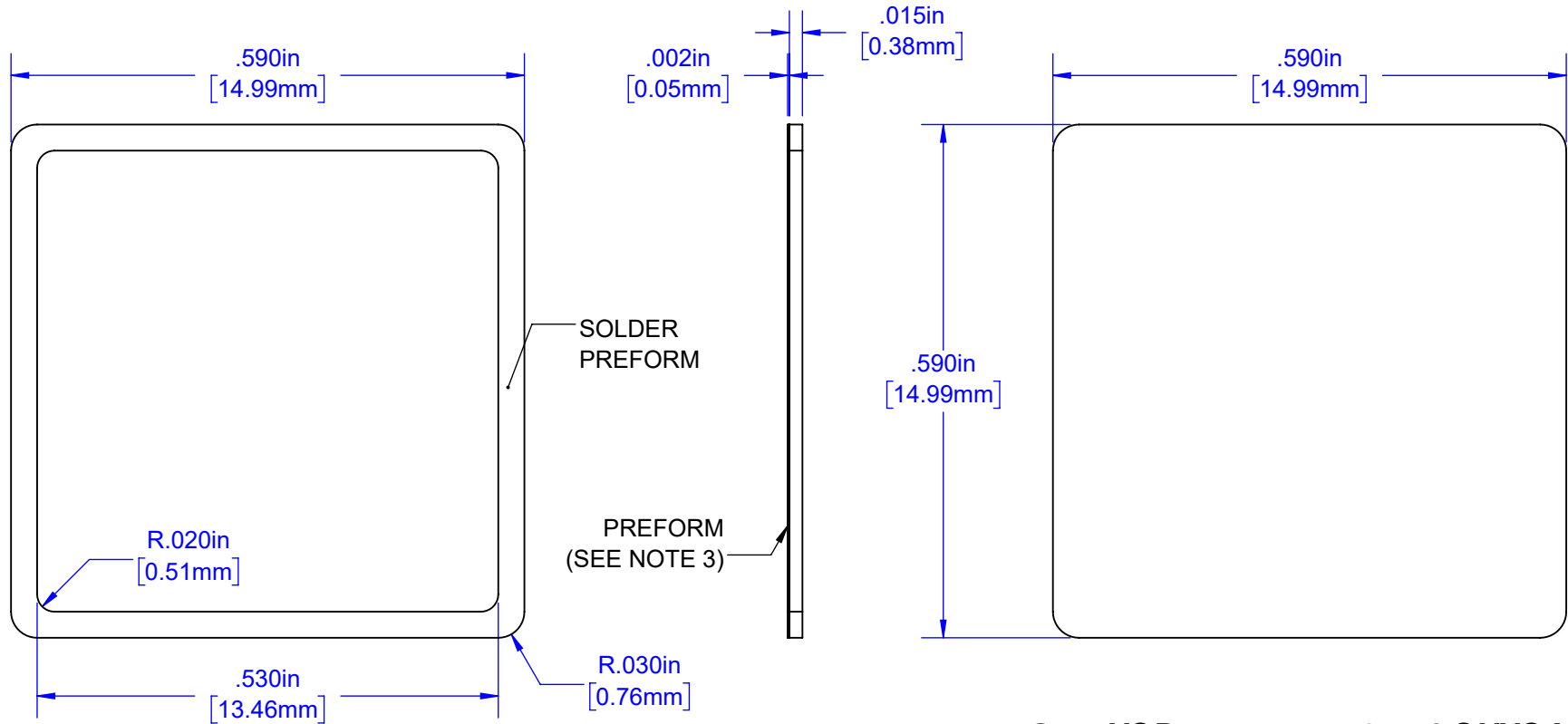
SHEET 4 OF 5

7CA6C@8

6 CHHCA

G-89

HCD



NOTES:

1. BASE MATERIAL: KOVAR or ALLOY 42.
2. PLATING: Ni 50~350 MICRO-INCH PER SIDE.
Au 25 MICRO-INCH MIN PER SIDE.
3. SOLDER PREFORM: Au 80% ±1.0 Sn 20%.
4. FLATNESS 1.0 MIL (25um) MAXIMUM PER 0.5-inch (12.7mm).

TopLine®			
TITLE		CL-590-A LID .590 / .530-inch	
SCALE	SIZE	DRAWING NO.	REV
5:1	A	170131	A
DO NOT SCALE DRAWING			SHEET 5 OF 5